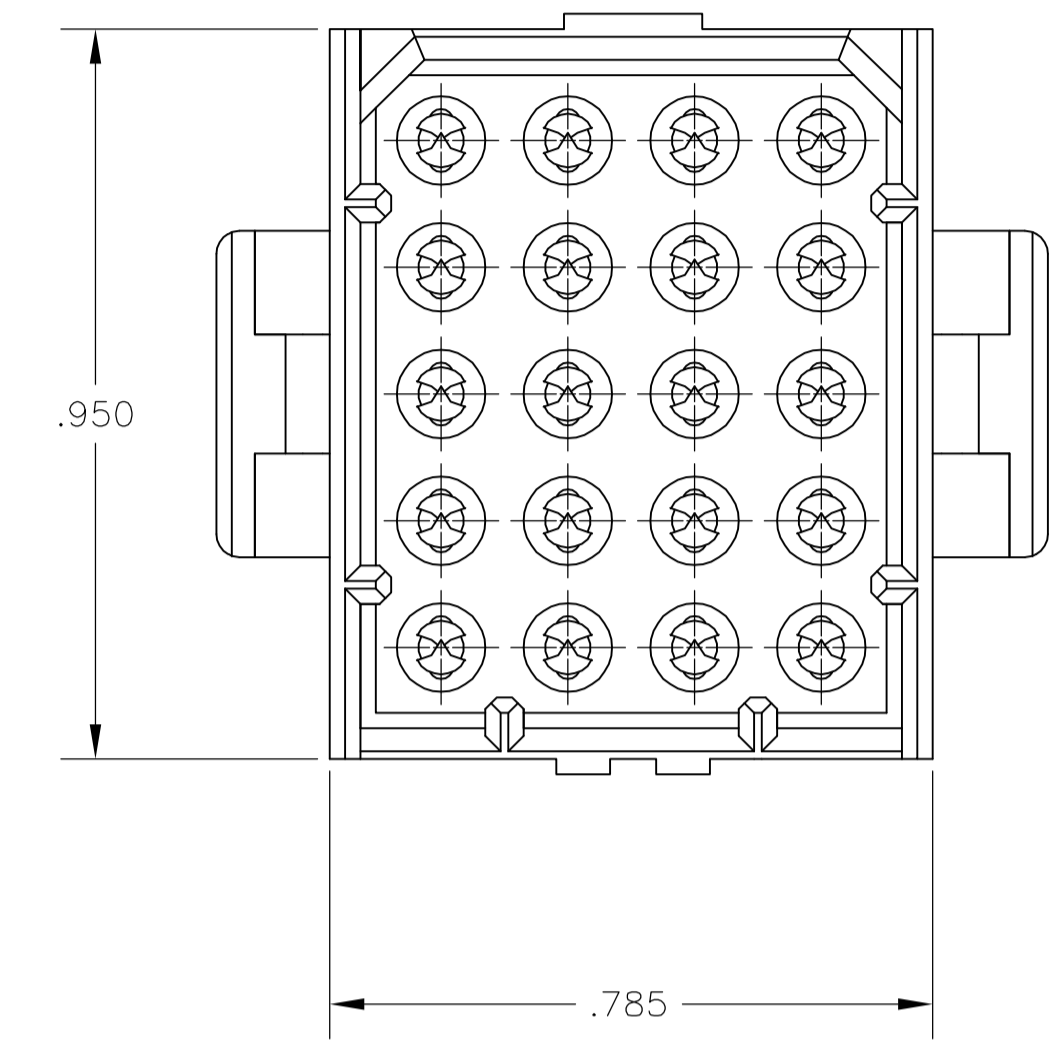
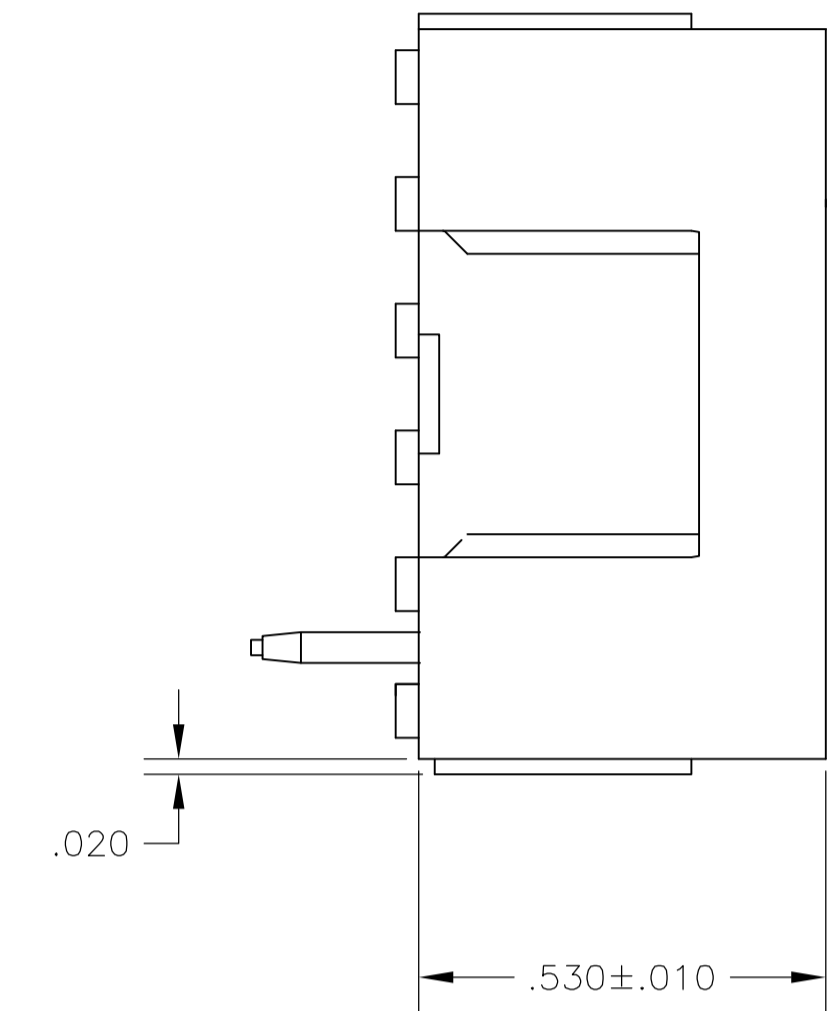
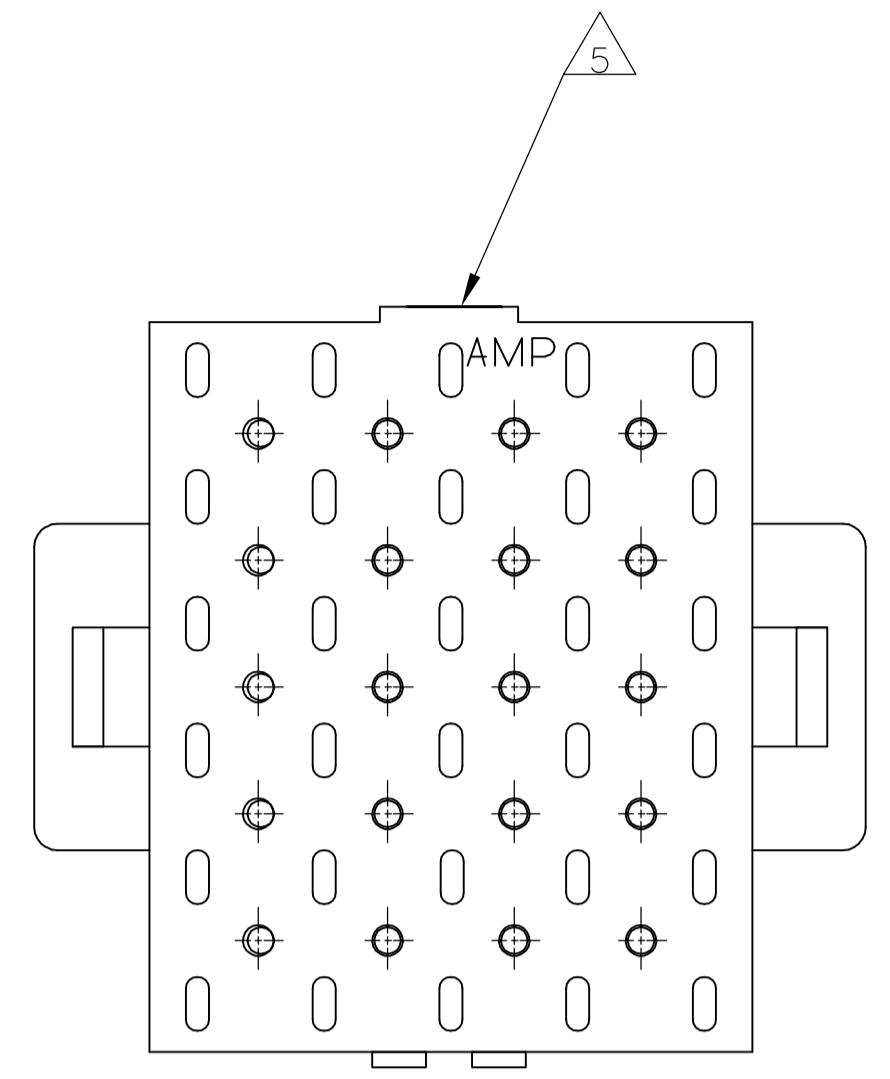
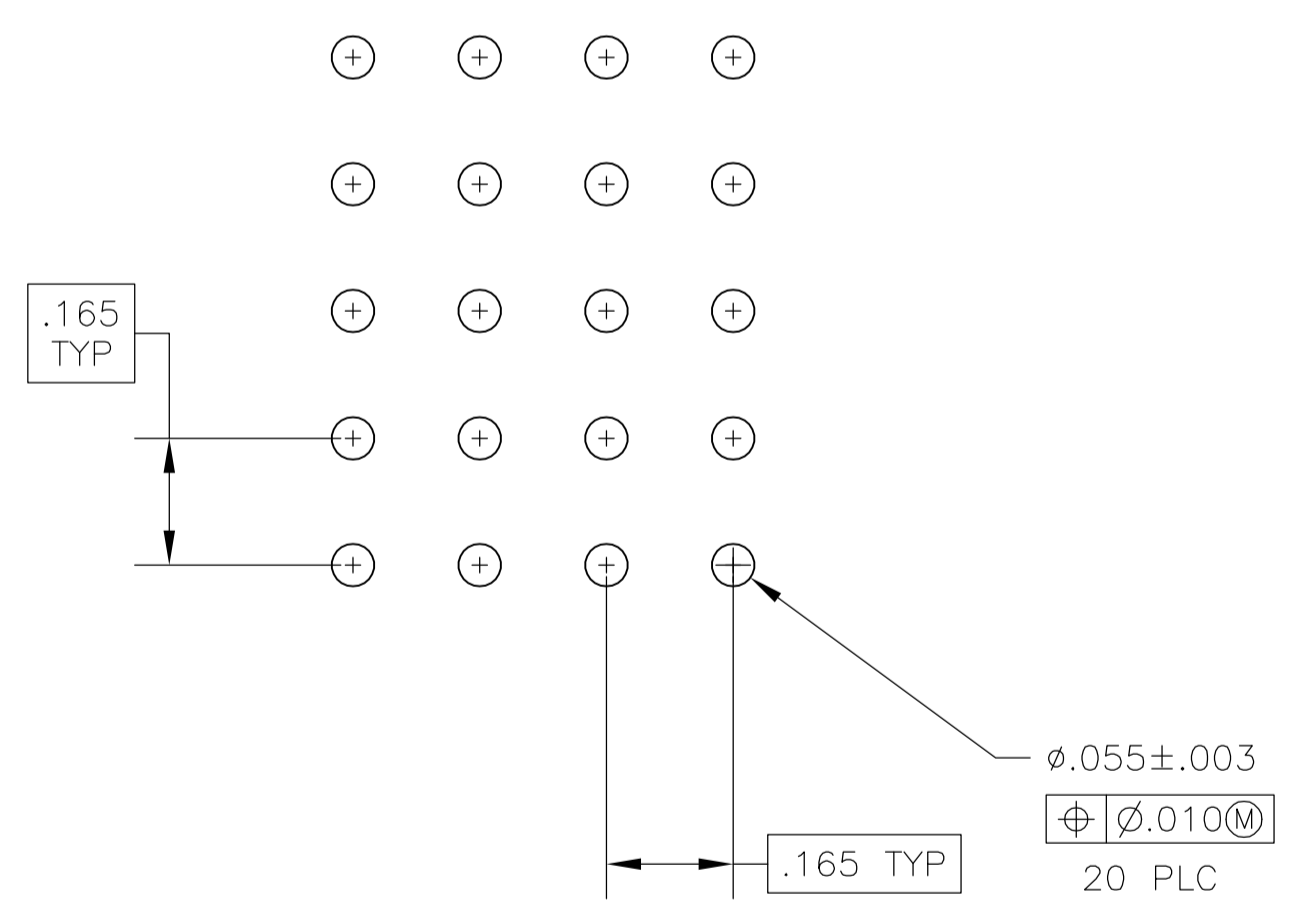


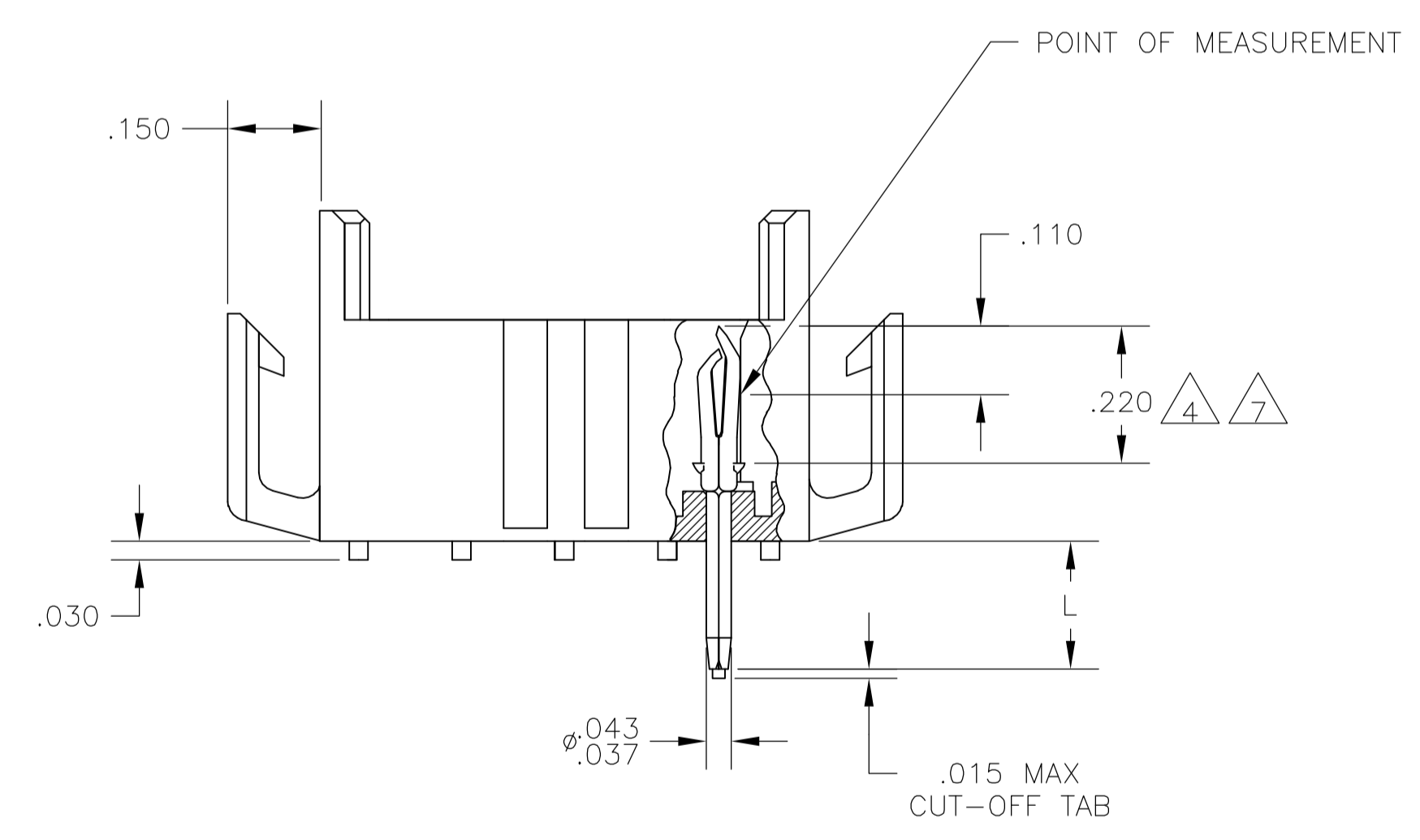
LOC	DIST	REVISIONS			
P	LTR	DESCRIPTION	DATE	DNW	APVD
R	EC 063B 0249 05		27SEP05	BSV	RCJ



1. FITS SOCKET HOUSING 640524.
2. ASSEMBLY CONFORMS TO AMP SOLDERABILITY SPEC. 109-11-3.
3. FOR USE WITH .063 THICK P.C. BOARD.
4. CONTACT IS PLATED OVERALL WITH .000050 NICKEL, THEN .000030 GLD OVER CONTACT LENGTH INDICATED AND .000150 MATTE TIN-LEAD ON SOLDER TAIL END.
5. UL AND CSA LOGO LOCATED ON THIS SURFACE.
6. FOR USE WITH .120 THICK P.C. BOARD.
7. CONTACT IS PLATED OVERALL WITH .000050 NICKEL, THEN .000030 GLD OVER CONTACT LENGTH INDICATED AND .000150 MATTE TIN ON SOLDER TAIL END.



RECOMMENDED P.C. BOARD LAYOUT



IN	MM	IN	MM	IN	MM	IN	MM
.010	0.25	.055	1.40	.220	5.59	-	-
.008	0.20	.043	1.09	.210	5.33	-	-
.005	0.13	.037	0.94	.165	4.19	-	-
.003	0.08	.030	0.76	.150	3.81	.950	24.13
.000050	0.00127	.020	0.51	.110	2.79	.785	19.94
.000030	0.00076	.015	0.38	.063	1.60	.530	13.46

CONVERSION TABLE

PLC	HOUSING COLOR	PIN FINISH	PART NUMBER
.210 6	BRICK RED	GOLD 7	2-640504-4
.150 3	BRICK RED	GOLD 7	2-640504-2
.210 6	BRICK RED	GOLD 4	640504-4
.210 6	BRICK RED	PRE-TIN	640504-3
.150 3	BRICK RED	GOLD 4	640504-2
.150 3	BRICK RED	PRE-TIN	640504-1
"L" +.010 -.020	HOUSING COLOR	PIN FINISH	PART NUMBER

THIS DRAWING IS A CONTROLLED DOCUMENT.

DIMENSIONS: INCHES	TOLERANCES UNLESS OTHERWISE SPECIFIED:	DIN J. HUFFMAN 2BAPR98		Tyco Electronics Corporation Harrisburg, PA 17105-3608
0 PLC ± -	1 PLC ± -	2BAPR98		NAME
2 PLC ± -	3 PLC ± .005	2BAPR98	T. REDDICK	HEADER ASSEMBLY, PIN, 20 POSITION, MR.
4 PLC ± -	ANGLES ± 0° 30'		PRODUCT SPEC	
MATERIAL: HOUSING-FLAME RETARDANT NYLON, UL 94V-0 PIN, .008 PH BRZ.	FINISH: SEE TABLE	WEIGHT: -	SIZE: A1	RESTRICTED TO: -
CUSTOMER DRAWING			SCALE: 4:1	SHEET 1 OF 1

