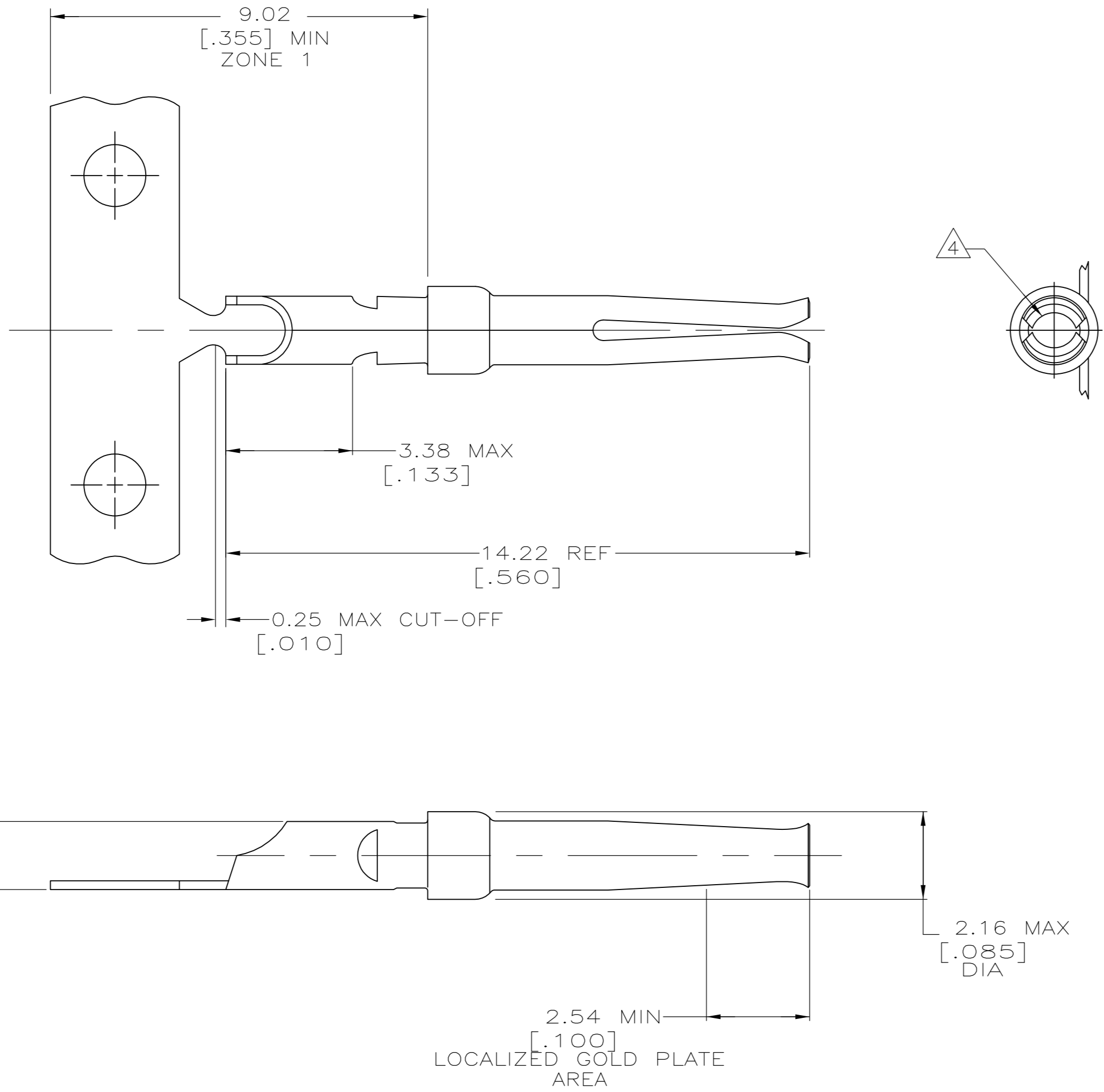


THIS DRAWING IS UNPUBLISHED. RELEASED FOR PUBLICATION - . - .  
© COPYRIGHT - By - ALL RIGHTS RESERVED.

LOC	DIST	REVISIONS			
P	LTR	DESCRIPTION	DATE	DWN	APVD
GP	00	J	REVISED PER ECO-12-021696	28FEB2013	CJV CWR



- ① PHOSPHOR BRONZE PER QQ-B-750.
- ② GOLD PLATED AREA AS FOLLOWS: PLATED WITH 0.76µm [.000030] GOLD IN LOCALIZED GOLD PLATE AREA, .000100 MIN MATTE TIN IN ZONE 1, OVER 1.27µm [.000050] MIN NICKEL. OR GOLD FLASH OVER PALLADIUM-NICKEL PLATE, 0.76µm [.000030] MIN TOTAL IN LOCALIZED GOLD PLATE AREA, .000100 MIN MATTE TIN IN ZONE 1, OVER 1.27µm [.000050] MIN NICKEL.
- ③ GOLD PLATING PER MIL-G-45204, NICKEL PLATING PER QQ-N-290.
- ④ WILL ACCEPT 1.02 [.040] DIA PIN.
- 5. 1.17 [.046] MAX DIA CONDUCTOR (UP TO 18 AWG).

PACKAGING	TYPE	PART NUMBER
SMALL PACK	LOOSE PIECE	1-66569-0
STANDARD	LOOSE PIECE	66569-3
-	STRIP	66569-2

THIS DRAWING IS A CONTROLLED DOCUMENT. DIMENSIONING AND TOLERANCING PER ASME Y14.5M-2009		DWN D.HARDY 08 NOV 95		TE Connectivity													
DIMENSIONS: mm [INCHES]		CHK R.STONE 14 NOV 95		NAME													
TOLERANCES UNLESS OTHERWISE SPECIFIED:		APVD C.STINSON 06 DEC 95		SOCKET CONTACT, SIZE 20 DF, WITH SOLDER CUP, AMPLIMITE													
<table border="0"> <tr><td>0 PLC</td><td>± -</td></tr> <tr><td>1 PLC</td><td>± -</td></tr> <tr><td>2 PLC</td><td>± -</td></tr> <tr><td>3 PLC</td><td>± -</td></tr> <tr><td>4 PLC</td><td>± -</td></tr> <tr><td>ANGLES</td><td>± -</td></tr> </table>		0 PLC		± -	1 PLC	± -	2 PLC	± -	3 PLC	± -	4 PLC	± -	ANGLES	± -	PRODUCT SPEC APPLICATION SPEC WEIGHT	SIZE A2	CAGE CODE 00779
0 PLC	± -																
1 PLC	± -																
2 PLC	± -																
3 PLC	± -																
4 PLC	± -																
ANGLES	± -																
MATERIAL ①	FINISH ② ③	CUSTOMER DRAWING	SCALE 10:1	SHEET 1 of 1	REV J												

66569