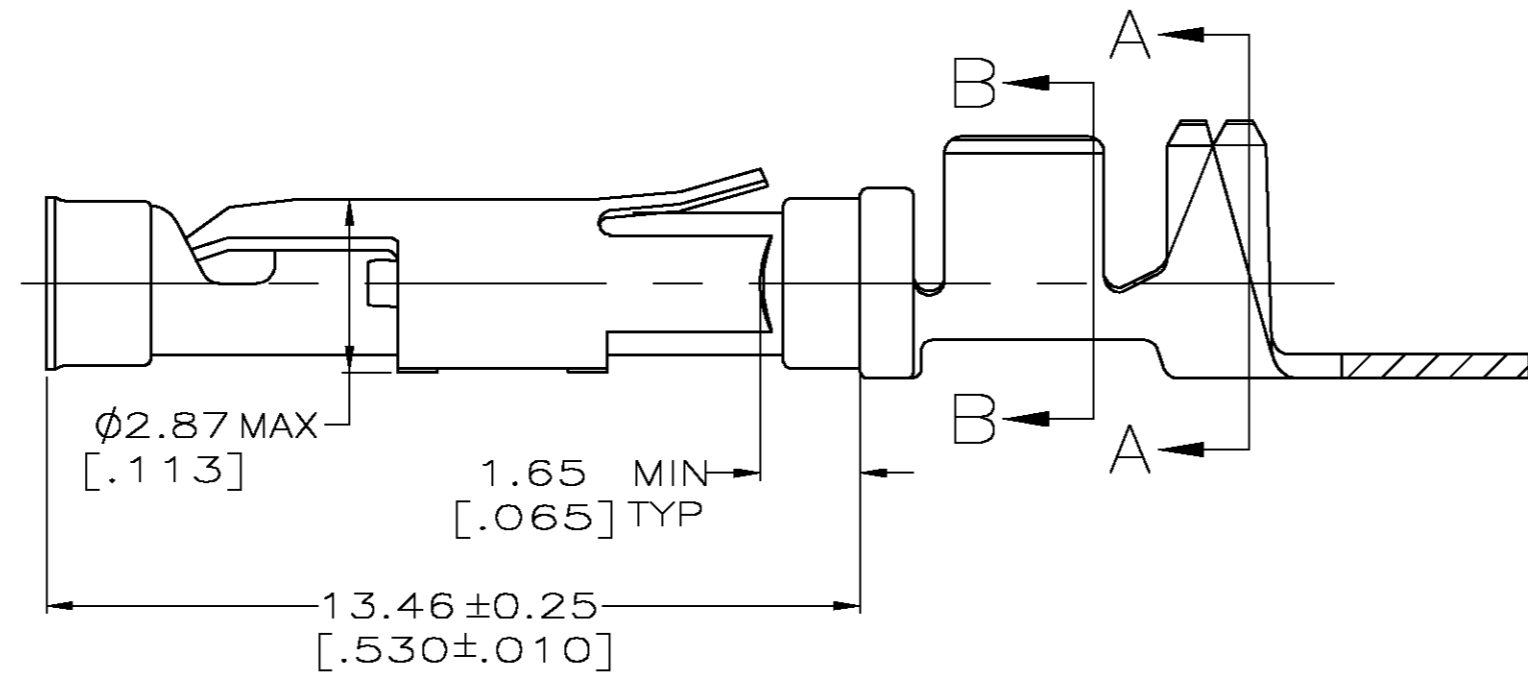
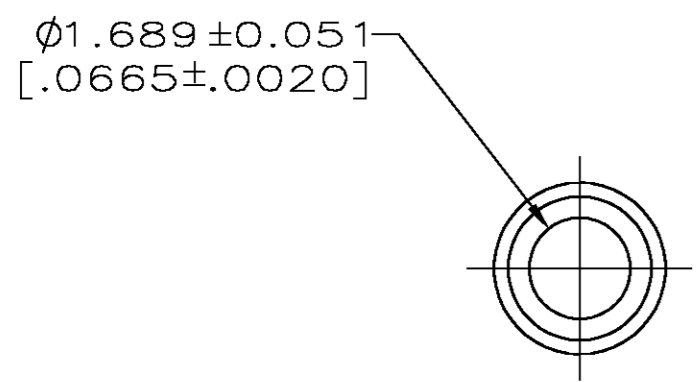
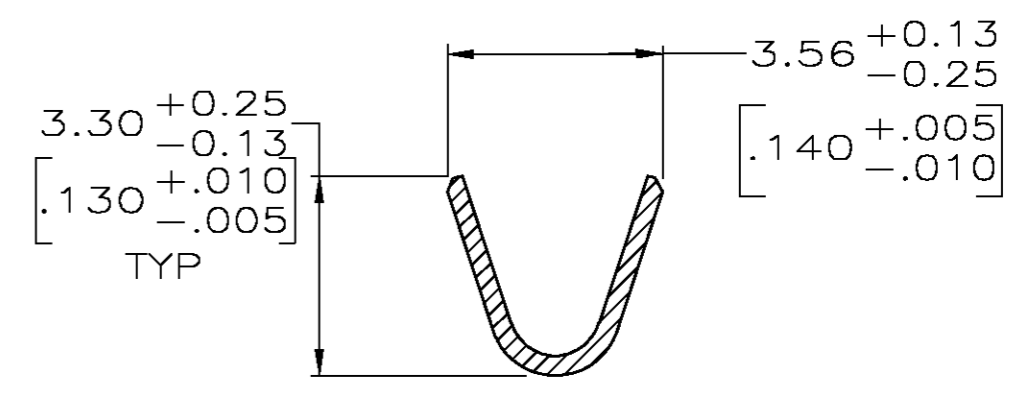
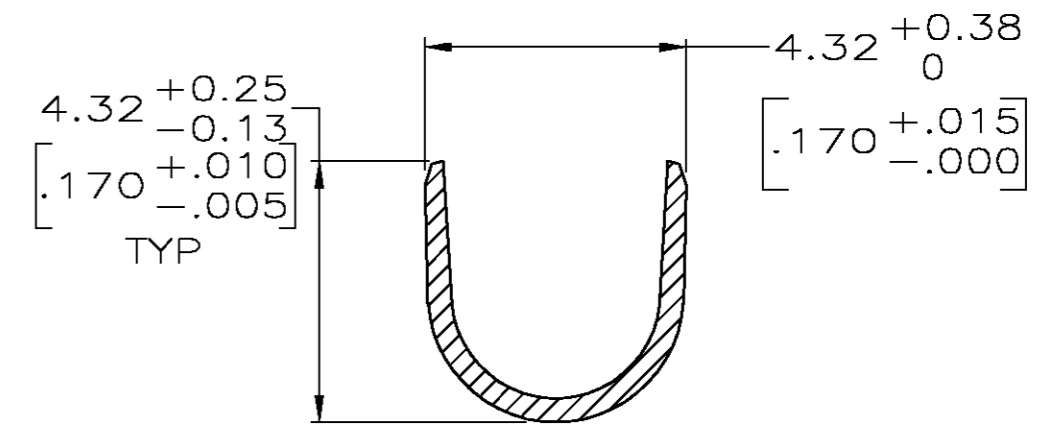
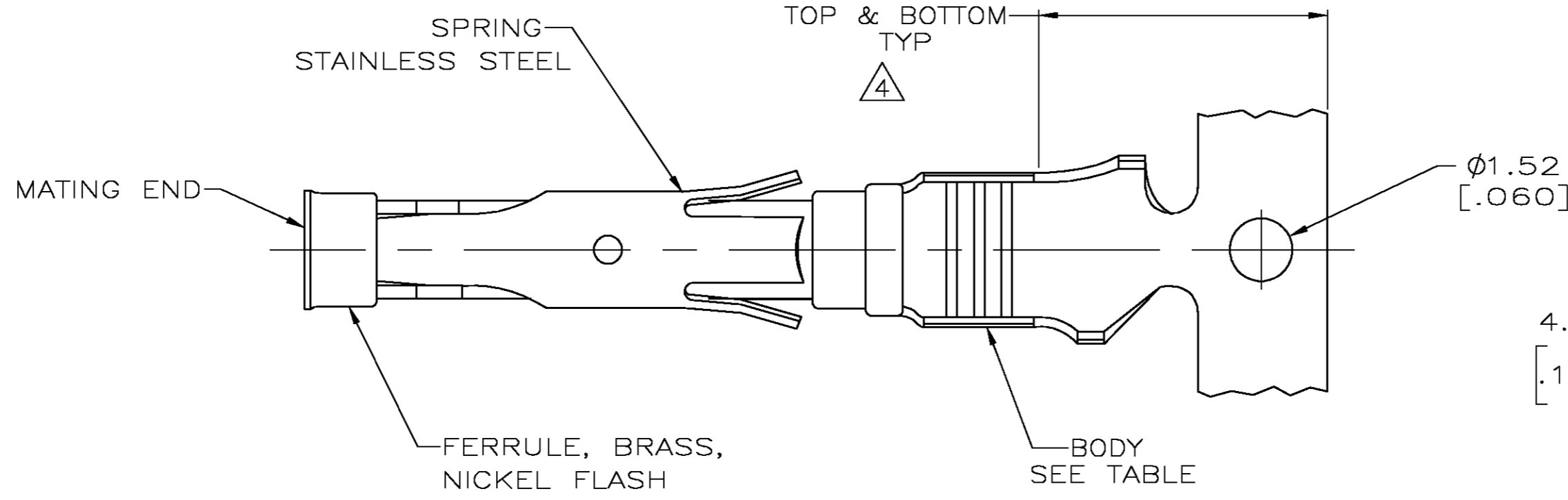


THIS DRAWING IS UNPUBLISHED. RELEASED FOR PUBLICATION
 © COPYRIGHT BY TYCO ELECTRONICS CORPORATION. ALL RIGHTS RESERVED.

LOC	DIST	REVISIONS					
FT	0	P	LTR	DESCRIPTION	DATE	DWN	APVD
		W		REVISED PER 0G3B-0956-04	11/19/04	SS	GS



- ① 0.51 μ m [.000020] MIN GOLD PER MIL-G-45204 ON MATING END FOR A LENGTH OF 5.08 [.200] MIN WITH GOLD FLASH ON THE REMAINDER OVER 0.76 μ m [.000030] MIN NICKEL PER QQ-N-290.
- ② 1.27 μ m [.000050] MIN TIN-LEAD PER MIL-T-10727 OVER 0.76 μ m [.000030] MIN NICKEL PER QQ-N-290.
- ③ 0.76 μ m [.000030] MIN GOLD PER MIL-G-45204 ON MATING END FOR A LENGTH OF 5.08 [.200] MIN WITH GOLD FLASH ON THE REMAINDER OVER 0.76 μ m [.000030] MIN NICKEL PER QQ-N-290.
- ④ GOLD PLATING NEED NOT APPEAR IN THIS AREA.
- 5. REVERSE REELED FOR MINI-APPLICATOR.
- 6. WIRE RANGE 14-18 AWG. INSULATION RANGE 2.79 [.110]-3.81 [.150].
- ⑦ 0.38 μ m [.000015] MIN GOLD PER MIL-G-45204 ON MATING END FOR A LENGTH OF 5.08 [.200] MIN, 1.27 μ m [.000050] MIN TIN-LEAD PER MIL-T-10727 FOR A LENGTH OF 5.69 [.224] MIN ON OPPOSITE END, BOTH OVER 1.27 μ m [.000050] MIN NICKEL PER QQ-N-290 ON ENTIRE CONTACT.
- ⑧ 1.27 μ m [.000050] MIN TIN PER MIL-T-10727 OVER 0.76 μ m [.000030] MIN NICKEL PER QQ-N-290.

⑧	BRASS	-	1-66598-4	
⑧	PHOSPHOR BRONZE	-	1-66598-3	
⑧	CU-NI ALLOY	1-66601-2	1-66598-2	
③	CU-NI ALLOY	1-66601-0	1-66598-1	
⑧	BRASS	-	1-66598-0	
⑧	BRASS	66601-9	66598-9	
OBSELETE	⑦	BRASS	66601-5	66598-8
	②	BRASS	-	66598-7
	③	PHOSPHOR BRONZE	66601-4	66598-6
OBSELETE	②	PHOSPHOR BRONZE	66601-3	66598-5
	①	BRASS	-	66598-3
	③	BRASS	66601-2	66598-2
	②	BRASS	66601-1	66598-1
	⑧	BRASS	-	1-66598-4
	⑧	PHOSPHOR BRONZE	-	1-66598-3
	⑧	CU-NI ALLOY	1-66601-2	1-66598-2
	③	CU-NI ALLOY	1-66601-0	1-66598-1
	⑧	BRASS	-	1-66598-0
	⑧	BRASS	66601-9	66598-9
	⑦	BRASS	66601-5	66598-8
	②	BRASS	-	66598-7
	③	PHOSPHOR BRONZE	66601-4	66598-6
	②	PHOSPHOR BRONZE	66601-3	66598-5
	①	BRASS	-	66598-3
	③	BRASS	66601-2	66598-2
	②	BRASS	66601-1	66598-1
	⑧	BRASS	-	1-66598-4
	⑧	PHOSPHOR BRONZE	-	1-66598-3
	⑧	CU-NI ALLOY	1-66601-2	1-66598-2
	③	CU-NI ALLOY	1-66601-0	1-66598-1
	⑧	BRASS	-	1-66598-0
	⑧	BRASS	66601-9	66598-9
	⑦	BRASS	66601-5	66598-8
	②	BRASS	-	66598-7
	③	PHOSPHOR BRONZE	66601-4	66598-6
	②	PHOSPHOR BRONZE	66601-3	66598-5
	①	BRASS	-	66598-3
	③	BRASS	66601-2	66598-2
	②	BRASS	66601-1	66598-1
	⑧	BRASS	-	1-66598-4
	⑧	PHOSPHOR BRONZE	-	1-66598-3
	⑧	CU-NI ALLOY	1-66601-2	1-66598-2
	③	CU-NI ALLOY	1-66601-0	1-66598-1
	⑧	BRASS	-	1-66598-0
	⑧	BRASS	66601-9	66598-9
	⑦	BRASS	66601-5	66598-8
	②	BRASS	-	66598-7
	③	PHOSPHOR BRONZE	66601-4	66598-6
	②	PHOSPHOR BRONZE	66601-3	66598-5
	①	BRASS	-	66598-3
	③	BRASS	66601-2	66598-2
	②	BRASS	66601-1	66598-1
	⑧	BRASS	-	1-66598-4
	⑧	PHOSPHOR BRONZE	-	1-66598-3
	⑧	CU-NI ALLOY	1-66601-2	1-66598-2
	③	CU-NI ALLOY	1-66601-0	1-66598-1
	⑧	BRASS	-	1-66598-0
	⑧	BRASS	66601-9	66598-9
	⑦	BRASS	66601-5	66598-8
	②	BRASS	-	66598-7
	③	PHOSPHOR BRONZE	66601-4	66598-6
	②	PHOSPHOR BRONZE	66601-3	66598-5
	①	BRASS	-	66598-3
	③	BRASS	66601-2	66598-2
	②	BRASS	66601-1	66598-1
	⑧	BRASS	-	1-66598-4
	⑧	PHOSPHOR BRONZE	-	1-66598-3
	⑧	CU-NI ALLOY	1-66601-2	1-66598-2
	③	CU-NI ALLOY	1-66601-0	1-66598-1
	⑧	BRASS	-	1-66598-0
	⑧	BRASS	66601-9	66598-9
	⑦	BRASS	66601-5	66598-8
	②	BRASS	-	66598-7
	③	PHOSPHOR BRONZE	66601-4	66598-6
	②	PHOSPHOR BRONZE	66601-3	66598-5
	①	BRASS	-	66598-3
	③	BRASS	66601-2	66598-2
	②	BRASS	66601-1	66598-1
	⑧	BRASS	-	1-66598-4
	⑧	PHOSPHOR BRONZE	-	1-66598-3
	⑧	CU-NI ALLOY	1-66601-2	1-66598-2
	③	CU-NI ALLOY	1-66601-0	1-66598-1
	⑧	BRASS	-	1-66598-0
	⑧	BRASS	66601-9	66598-9
	⑦	BRASS	66601-5	66598-8
	②	BRASS	-	66598-7
	③	PHOSPHOR BRONZE	66601-4	66598-6
	②	PHOSPHOR BRONZE	66601-3	66598-5
	①	BRASS	-	66598-3
	③	BRASS	66601-2	66598-2
	②	BRASS	66601-1	66598-1
	⑧	BRASS	-	1-66598-4
	⑧	PHOSPHOR BRONZE	-	1-66598-3
	⑧	CU-NI ALLOY	1-66601-2	1-66598-2
	③	CU-NI ALLOY	1-66601-0	1-66598-1
	⑧	BRASS	-	1-66598-0
	⑧	BRASS	66601-9	66598-9
	⑦	BRASS	66601-5	66598-8
	②	BRASS	-	66598-7
	③	PHOSPHOR BRONZE	66601-4	66598-6
	②	PHOSPHOR BRONZE	66601-3	66598-5
	①	BRASS	-	66598-3
	③	BRASS	66601-2	66598-2
	②	BRASS	66601-1	66598-1
	⑧	BRASS	-	1-66598-4
	⑧	PHOSPHOR BRONZE	-	1-66598-3
	⑧	CU-NI ALLOY	1-66601-2	1-66598-2
	③	CU-NI ALLOY	1-66601-0	1-66598-1
	⑧	BRASS	-	1-66598-0
	⑧	BRASS	66601-9	66598-9
	⑦	BRASS	66601-5	66598-8
	②	BRASS	-	66598-7
	③	PHOSPHOR BRONZE	66601-4	66598-6
	②	PHOSPHOR BRONZE	66601-3	66598-5
	①	BRASS	-	66598-3
	③	BRASS	66601-2	66598-2
	②	BRASS	66601-1	66598-1
	⑧	BRASS	-	1-66598-4
	⑧	PHOSPHOR BRONZE	-	1-66598-3
	⑧	CU-NI ALLOY	1-66601-2	1-66598-2
	③	CU-NI ALLOY	1-66601-0	1-66598-1
	⑧	BRASS	-	1-66598-0
	⑧	BRASS	66601-9	66598-9
	⑦	BRASS	66601-5	66598-8
	②	BRASS	-	66598-7
	③	PHOSPHOR BRONZE	66601-4	66598-6
	②	PHOSPHOR BRONZE	66601-3	66598-5
	①	BRASS	-	66598-3
	③	BRASS	66601-2	66598-2
	②	BRASS	66601-1	66598-1
	⑧	BRASS	-	1-66598-4
	⑧	PHOSPHOR BRONZE	-	1-66598-3
	⑧	CU-NI ALLOY	1-66601-2	1-66598-2
	③	CU-NI ALLOY	1-66601-0	1-66598-1
	⑧	BRASS	-	1-66598-0
	⑧	BRASS	66601-9	66598-9
	⑦	BRASS	66601-5	66598-8
	②	BRASS	-	66598-7
	③	PHOSPHOR BRONZE	66601-4	66598-6
	②	PHOSPHOR BRONZE	66601-3	66598-5
	①	BRASS	-	66598-3
	③	BRASS	66601-2	66598-2
	②	BRASS	66601-1	66598-1
	⑧	BRASS	-	1-66598-4
	⑧	PHOSPHOR BRONZE	-	1-66598-3
	⑧	CU-NI ALLOY	1-66601-2	1-66598-2
	③	CU-NI ALLOY	1-66601-0	1-66598-1
	⑧	BRASS	-	1-66598-0
	⑧	BRASS	66601-9	66598-9
	⑦	BRASS	66601-5	66598-8
	②	BRASS	-	66598-7
	③	PHOSPHOR BRONZE	66601-4	66598-6
	②	PHOSPHOR BRONZE	66601-3	66598-5
	①	BRASS	-	66598-3
	③	BRASS	66601-2	66598-2
	②	BRASS	66601-1	66598-1
	⑧	BRASS	-	1-66598-4
	⑧	PHOSPHOR BRONZE	-	1-66598-3
	⑧	CU-NI ALLOY	1-66601-2	1-66598-2
	③	CU-NI ALLOY	1-66601-0	1-66598-1
	⑧	BRASS	-	1-66598-0
	⑧	BRASS	66601-9	66598-9
	⑦	BRASS	66601-5	66598-8
	②	BRASS	-	66598-7
	③	PHOSPHOR BRONZE	66601-4	66598-6
	②	PHOSPHOR BRONZE	66601-3	66598-5
	①	BRASS	-	66598-3
	③	BRASS	66601-2	66598-2
	②	BRASS	66601-1	66598-1
	⑧	BRASS	-	1-66598-4
	⑧	PHOSPHOR BRONZE	-	1-66598-3
	⑧	CU-NI ALLOY	1-66601-2	1-66598-2
	③	CU-NI ALLOY	1-66601-0	1-66598-1
	⑧	BRASS	-	1-66598-0
	⑧	BRASS	66601-9	66598-9
	⑦	BRASS	66601-5	66598-8
	②	BRASS	-	66598-7
	③	PHOSPHOR BRONZE	66601-4	66598-6
	②	PHOSPHOR BRONZE	66601-3	66598-5
	①	BRASS	-	66598-3
	③	BRASS	66601-2	66598-2
	②	BRASS	66601-1	66598-1
	⑧	BRASS	-	1-66598-4
	⑧	PHOSPHOR BRONZE	-	1-66598-3
	⑧	CU-NI ALLOY	1-66601-2	1-66598-2
	③	CU-NI ALLOY	1-66601-0	1-66598-1
	⑧	BRASS	-	1-66598-0
	⑧	BRASS	66601-9	66598-9
	⑦	BRASS	66601-5	66598-8
	②	BRASS	-	66598-7
	③	PHOSPHOR BRONZE	66601-4	66598-6
	②	PHOSPHOR BRONZE	66601-3	66598-5
	①	BRASS	-	66598-3
	③	BRASS	66601-2	66598-2
	②	BRASS	66601-1	66598-1
	⑧	BRASS	-	1-66598-4
	⑧	PHOSPHOR BRONZE	-	1-66598-3
	⑧	CU-NI ALLOY	1-66601-2	1-66598-2
	③	CU-NI ALLOY	1-66601-0	1-66598-1
	⑧	BRASS	-	1-66598-0
	⑧	BRASS	66601-9	66598-9
	⑦	BRASS	66601-5	66598-8
	②	BRASS	-	66598-7
	③	PHOSPHOR BRONZE	66601-4	66598-6
	②	PHOSPHOR BRONZE	66601-3	66598-5
	①	BRASS	-	66598-3
	③	BRASS	66601-2	66598-2
	②	BRASS	66601-1	66598-1
	⑧	BRASS	-	1-66598-4
	⑧	PHOSPHOR BRONZE	-	1-66598-3
	⑧	CU-NI ALLOY	1-66601-2	1-66598-2
	③	CU-NI ALLOY	1-66601-0	1-66598-1
	⑧	BRASS	-	1-66598-0
	⑧	BRASS	66601-9	66598-9
	⑦	BRASS	66601-5	66598-8
	②	BRASS	-	66598-7
	③	PHOSPHOR BRONZE	66601-4	66598-6
	②	PHOSPHOR BRONZE	66601-3	66598-5
	①	BRASS	-	66598-3
	③	BRASS	66601-2	66598-2
	②	BRASS	66601-1	66598-1
	⑧	BRASS	-	1-66598-4
	⑧	PHOSPHOR BRONZE	-	1-66598-3
	⑧	CU-NI ALLOY	1-66601-2	1-66598-2
	③	CU-NI ALLOY	1-66601-0	1-66598-1
	⑧	BRASS	-	1-66598-0
	⑧	BRASS	66601-9	66598-9