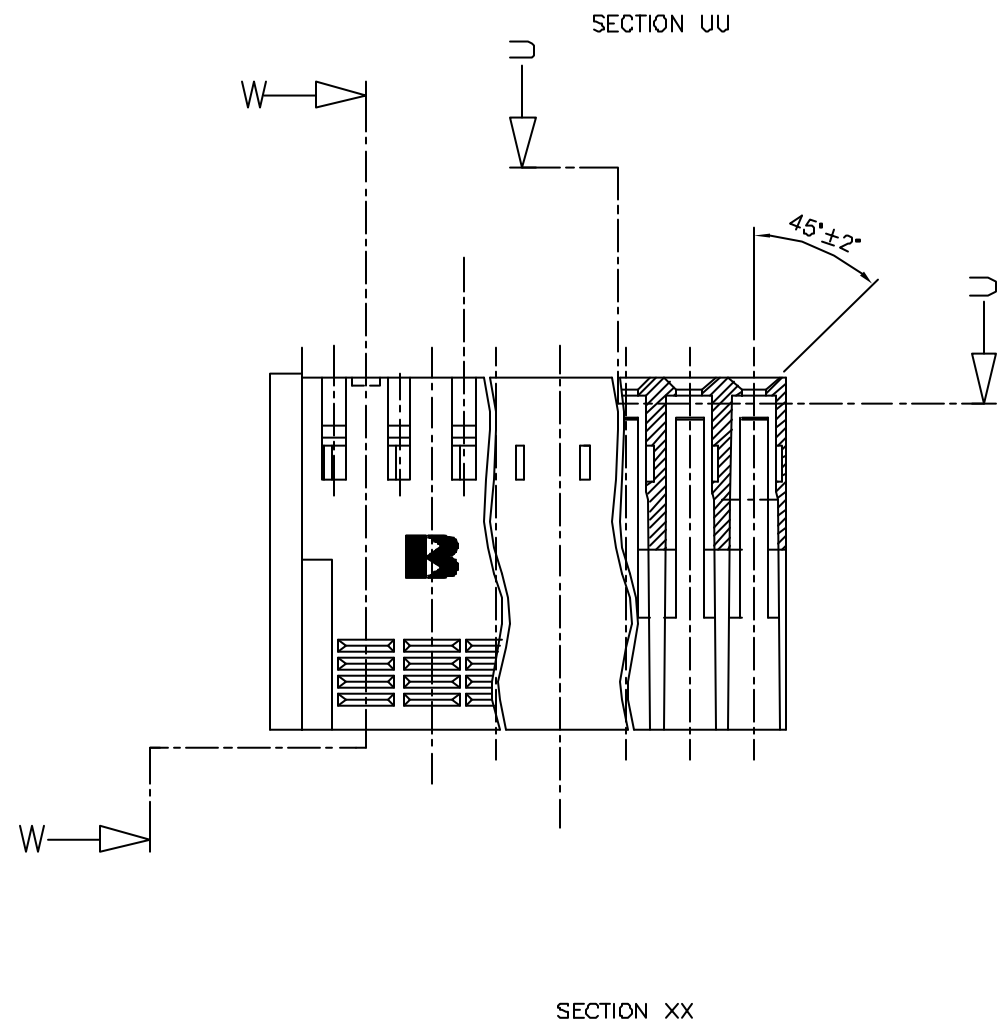
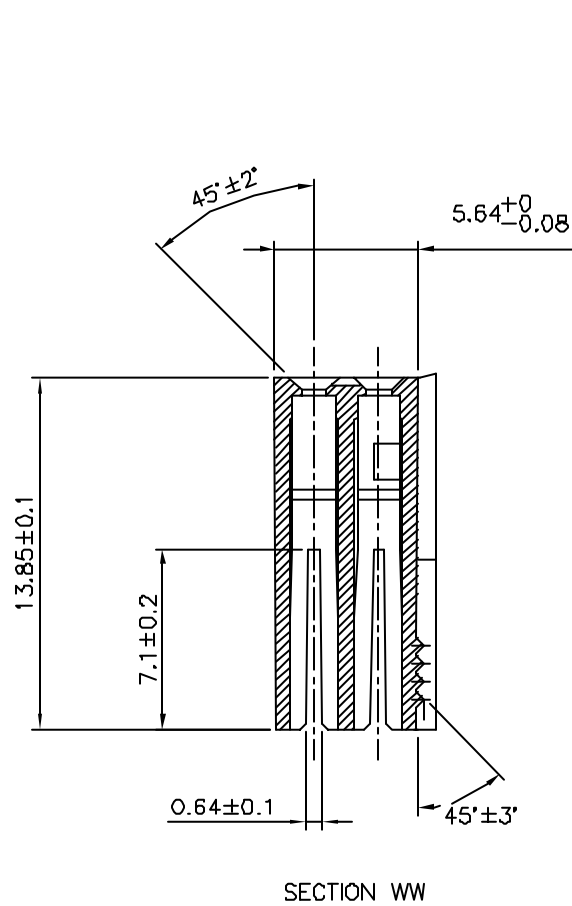
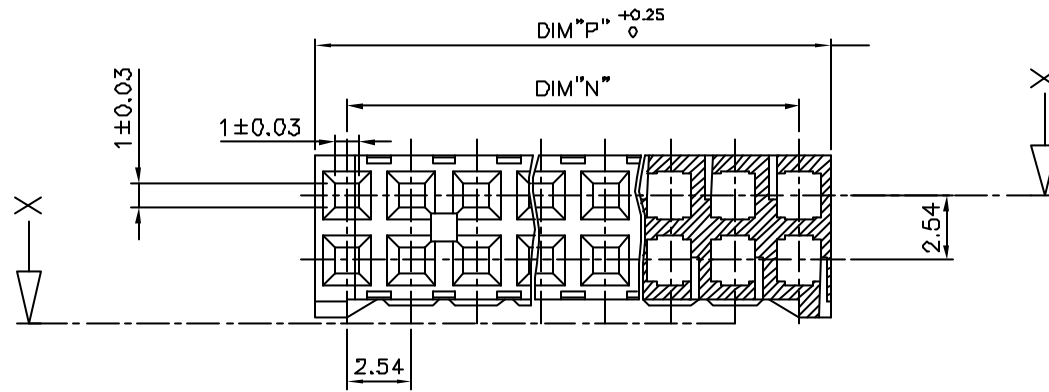


PRODUCT NUMBER  
66987-0XXLF

WHEN NEEDED, SUFFIX LETTER "LF"  
INDICATES THE PRODUCT IS RoHS  
COMPLIANT, SEE NOTE 5



NOTES:

- 1 - MOLDING MATERIAL: PBT 30% GLASS FILLED, COLOUR BLUE, FLAME RETARDANT, ACCORDING TO UL 94, CATEGORY V0.
- 2 - OVER DASH NUMBER -006 ONLY THE FIRST AND LAST THREE POSITIONS MUST HAVE GROOVES ON TWO SIDES
- 3 - THIS HOUSING IS INTENDED FOR USE WITH BERG TERMINAL # 76785-YXX AND BERG HEADERS # 76385-YXX OR 76383-YXX
- 4 - FOR BERG DUFLEX CLINCHER APPLICATION DATA SEE SPECIFICATION TA-333 SHEET 213-10F1
- 5 - RoHS COMPATIBLE PRODUCT SPECIFICATIONS
  - a - LABELING:
    - MEETS PACKAGING SPECS AS PER GS-14-920
  - b - LEGAL STATEMENT: SEE GS-22-008

THE PRODUCT IS NOT INTENDED TO BE EXPOSED TO A MANUFACTURING SOLDER PROCESS.

CUSTOMER COPY FOR REFERENCE ONLY									
mat'l. code	SEE NOTE 1	surface	ISO 1302	tolerance	ISO 406	ISO 101	projection	product family	
lrr	ecr	no	dr	date	tolerances	unless	otherwise	VCC DR	
A	F80388	DLE		98.07.10	angles	linear	mm	title	
B	F00499	PNZ		00.09.13				DUFLEX	
C	FD4-D347	DLE		04.12.10			scale 1:5	HOUSING DOUBLE ROW	
D	FDS-D189	DLE		05.04.07	dr	D LEGRAND	98.07.10	dwg no	sheet 1 of 2
E	FDS-D236	DLE		05.08.24	engr	JM PHAMVAN	98.07.10	66987	A2
F	FDS-D286	DLE		05.11.07	chr	P NIZZI	98.07.10	type	
G	FD6-D226	DLE		06.07.07	appd	JMP	98.07.10	CUSTOMER Drawing	
sheet	revision	G	F						
index	sheet	1	2						

PRODUCT NUMBER	NUMBER OF POS.	DIM"N"	DIM"P"
66987-002(LF)	2 x 02	2.54	5.00
66987-003(LF)	2 x 03	5.08	7.54
66987-004(LF)	2 x 04	7.62	10.08
66987-005(LF)	2 x 05	10.16	12.62
66987-006(LF)	2 x 06	12.70	15.16
66987-007(LF)	2 x 07	15.24	17.70
66987-008(LF)	2 x 08	17.78	20.24
66987-009(LF)	2 x 09	20.32	22.78
66987-010(LF)	2 x 10	22.86	25.32
66987-011(LF)	2 x 11	25.40	27.86
66987-012(LF)	2 x 12	27.94	30.40
66987-013(LF)	2 x 13	30.48	32.94
66987-014(LF)	2 x 14	33.02	35.48
66987-015(LF)	2 x 15	35.56	38.02
66987-016(LF)	2 x 16	38.10	40.56
66987-017(LF)	2 x 17	40.64	43.10
66987-018(LF)	2 x 18	43.18	45.64
66987-019(LF)	2 x 19	45.72	48.18
66987-020(LF)	2 x 20	48.26	50.72
66987-021(LF)	2 x 21	50.80	53.26
66987-022(LF)	2 x 22	53.34	55.80
66987-023(LF)	2 x 23	55.88	58.34
66987-024(LF)	2 x 24	58.42	60.88
66987-025(LF)	2 x 25	60.96	63.42
66987-026(LF)	2 x 26	63.50	65.96
66987-027(LF)	2 x 27	66.04	68.50
66987-028(LF)	2 x 28	68.58	71.04
66987-029(LF)	2 x 29	71.12	73.58
66987-030(LF)	2 x 30	73.66	76.12
66987-031(LF)	2 x 31	76.20	78.66
66987-032(LF)	2 x 32	78.74	81.20
66987-033(LF)	2 x 33	81.28	83.74
66987-034(LF)	2 x 34	83.82	86.28
66987-035(LF)	2 x 35	86.36	88.82
66987-036(LF)	2 x 36	88.90	91.36

FCI CONFIDENTIAL



This document is the property of and contains confidential and proprietary information of FCI. It is not to be distributed, copied, or used in any way or disclosed to third parties without the written consent of FCI. Copyright FCI

mat'l. code	SEE NOTES SHEET 1	surface	ISO 1302	tolerance	ISO 406 ISO 1101	projection	product family	VCC DR
ltr	ecr no	dr	date	tolerances unless otherwise specified			title	DUFLEX HOUSING DOUBLE ROW
E	F05-0236	DLE	05.08.24	angles	.D±x	mm	dwg no	66987
F	F06-0226	DLE	06.07.07	linear	.DD±.0x	scale N/A	sheet 2 of 2	A2
				±x'	.000±.00x		type	CUSTOMER Drawing
		dr	D LEGRAND	98.07.13				
		engr	P NIZZI	98.07.13				
		chr	D LEGRAND	98.07.13				
		appd	P NZ	98.07.13				
sheet index	revision sheet							