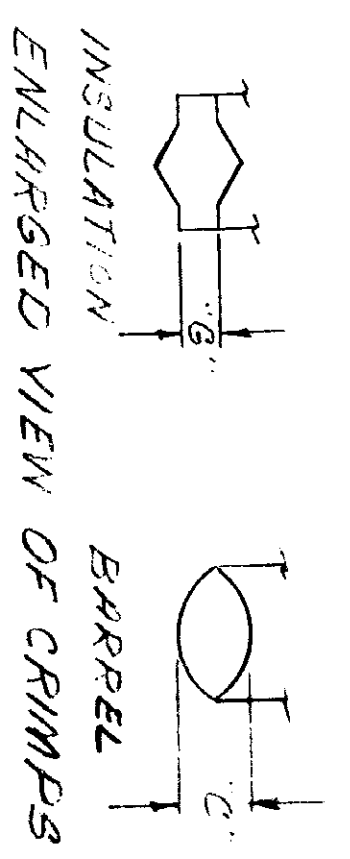
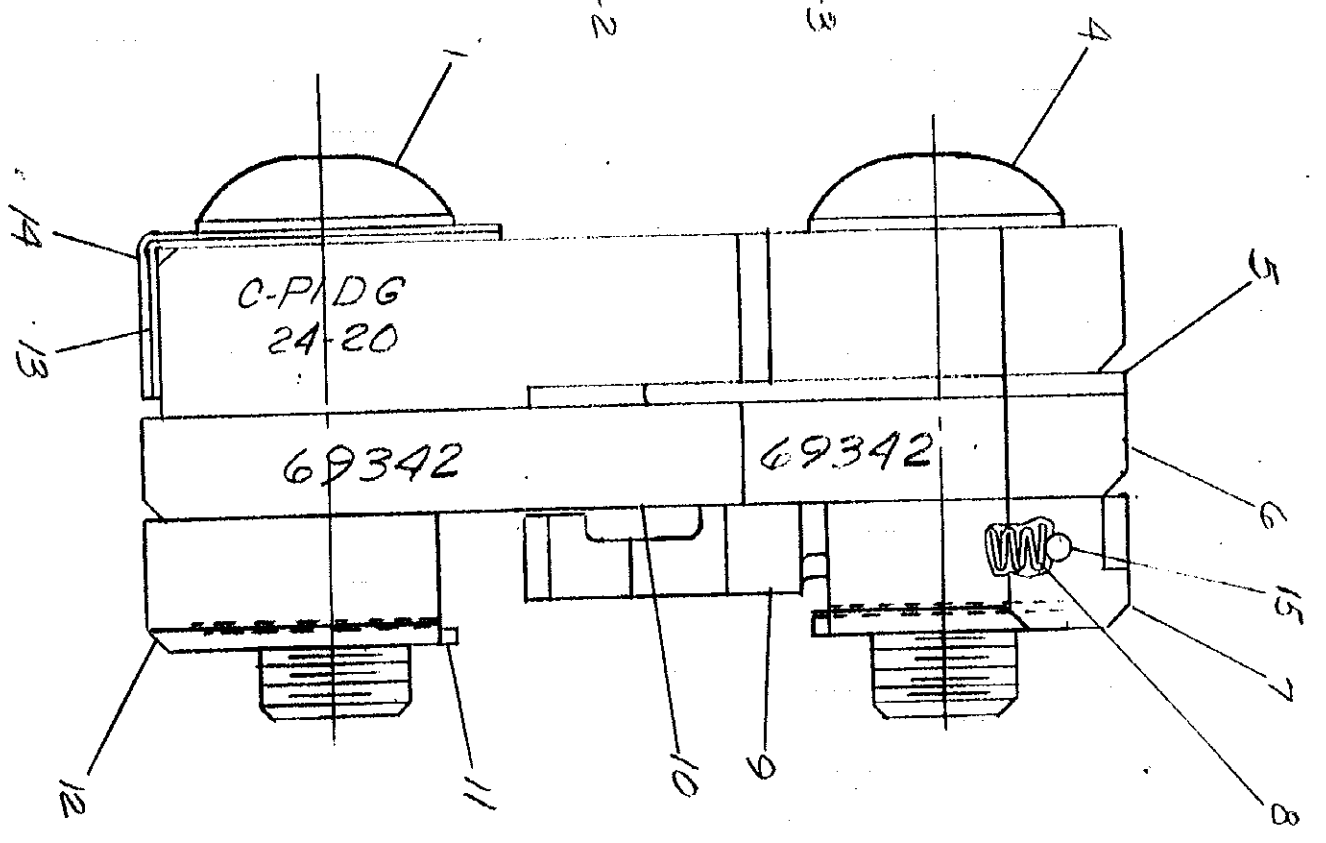
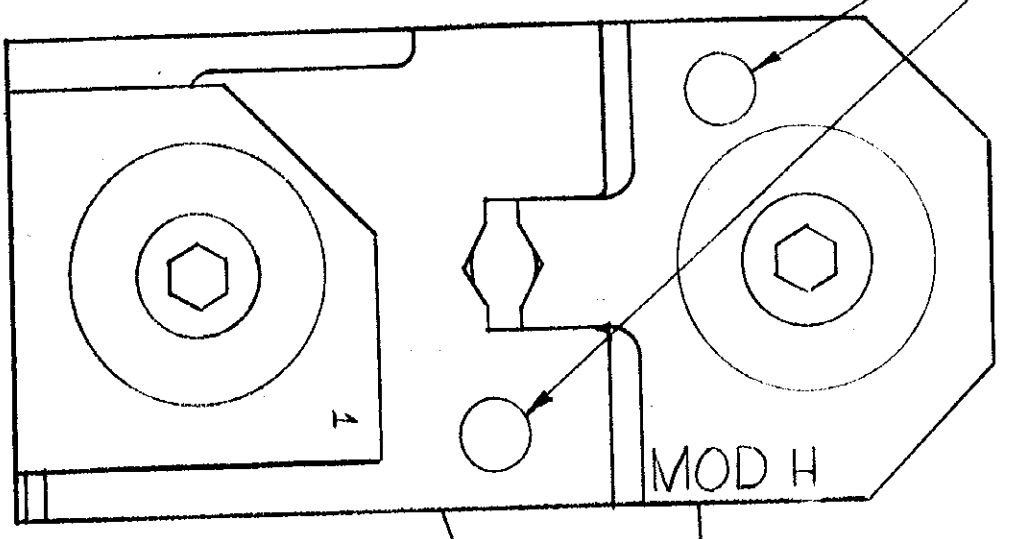


PRINT DIST  
H-1  
5

DIMENSIONS IN INCHES. DO NOT SCALE PRINT

COLOR CODED - WHITE



"G" AT PCS.	"G" DIM.
1	NC 60
GC	NC 60
.030	.050

"G" DIM.	"G" DIM.
GC	NC 60
.089	.095

PIN GAGE DIMENSIONS APPLY WHEN TOOL IS  
BOTTOMED BUT NOT UNDER PRESSURE.

ITEM NO	NUMBER	NAME	REMARKS
15	21949-1	PIN - SPIROL	
14	306027-2	SPACER INSULATION ADJ.	
13	306027-1	SPACER INSULATION ADJ.	
12	2-305832-8	SPACER	
11	1-21046-3	RING RETAINING	
10	1-45907-6	INDENTER BARREL	
9	3-304052-1	LOCATOR	
8	7-59683-4	SPRING	
7	2-305832-9	HOUSING LOCATOR	
6	3-45904-3	ANVIL BARREL	
5	125152-3	PLATE ALIGNMENT	
4	306105-9	SCREW SPECIAL	
3	2-45932-0	ANVIL INSULATION	
2	306030-1	INDENTER INSULATION	
1	2-306131-1	SCREW SPECIAL	

SUPERSEDED BY 1.S. 1632

LTR	REVISION RECORD	DR	CHK	DATE
H1	SUP BY 1.S. 1632	ELP	ELP	6-17-78
H	REVISED	RS	ELP	7-1-78
G	REVISED	PL	ELP	7-1-78

NUMBER	DESCRIPTION	REQUIRED PER ASSEMBLY
69342		

AMP 1233 BY AMP INCORPORATED. ALL RIGHTS RESERVED.  
AMP PRODUCTS COVERED BY PATENTS AND/OR PATENTS PENDING.

**CUSTOMER COPY REFERENCE ONLY**

AMP INCORPORATED  
HARRISBURG, PENNA.

WIRE - RANGE - INSULATION  
24-20  
TOLERANCE EXCEPT AS NOTED  
± .015

SCALE 4-1

LOC B

NO 69342

REV H1

NAME DIE ASSEMBLY MOD H

REL *[Signature]* 12-3-79

CHK *[Signature]* 12-3-79

DR *[Signature]* 12-3-79