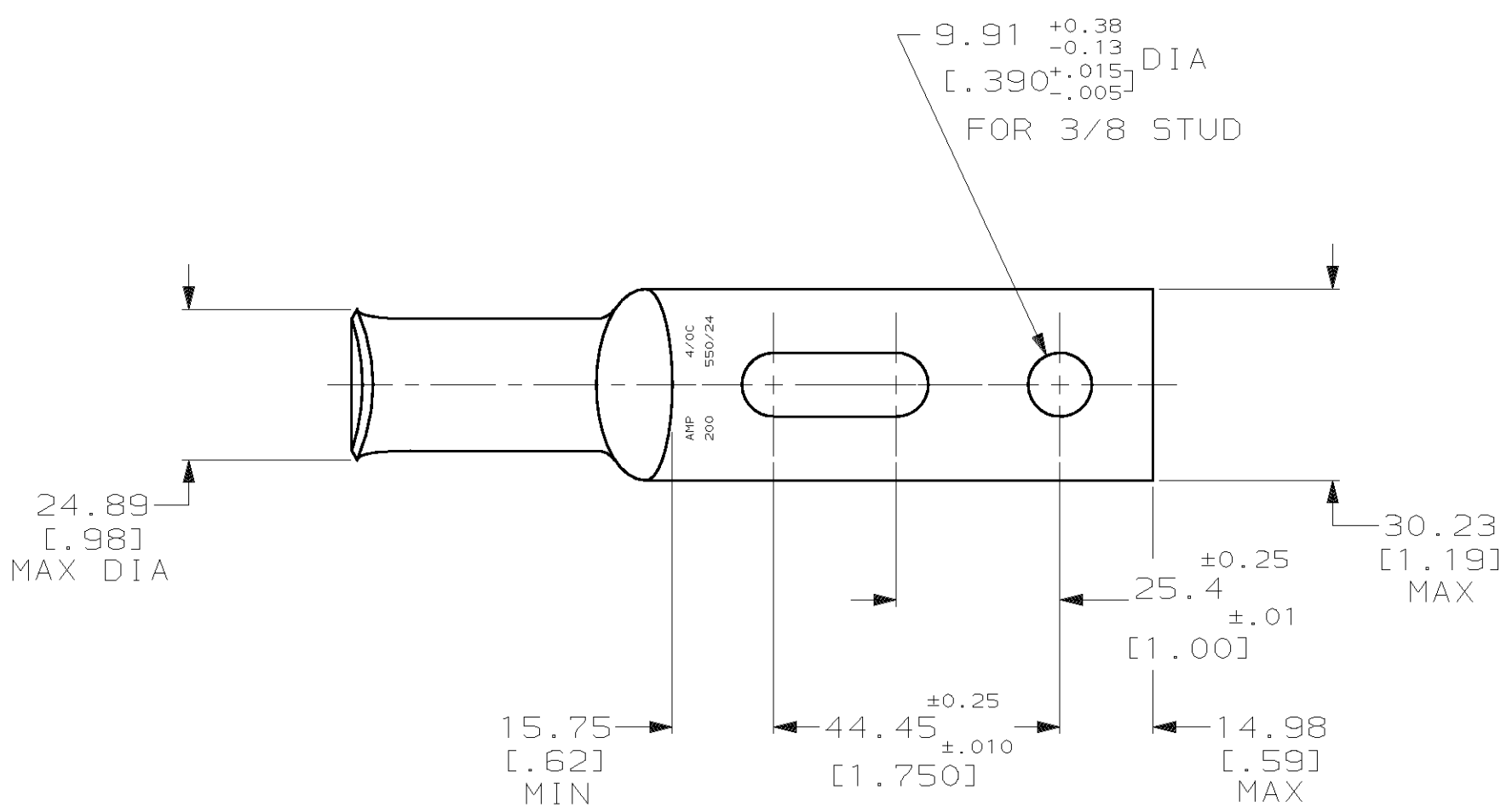
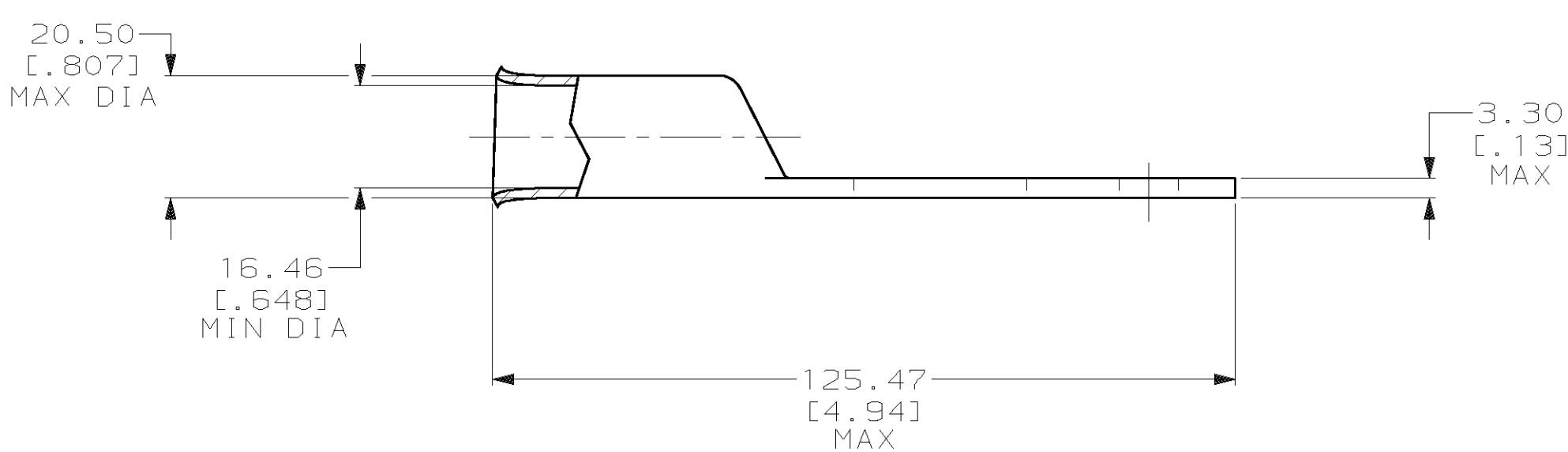


THIS DRAWING IS UNPUBLISHED. RELEASED FOR PUBLICATION ,19 .
 © COPYRIGHT 19 BY AMP INCORPORATED. ALL INTERNATIONAL RIGHTS RESERVED.

LOC	DIST	P	F	REVISIONS		DATE	APPD
G	86			ZONE	LTR	DESCRIPTION	
				A		REL PER 063A-0649-02	28OCT02 JS MS



1 CIRCULAR MIL RANGE: 190,000-231,000 CM



696460

696460-1

PART NO

DO NOT SCALE PRINT. UNLESS SPECIFIED DIMENSIONS IN mm [INCHES] TOLERANCES ON : 2 PLC DEC \pm 0.51 [.020] 3 PLC DEC \pm - ANGLES \pm -		DR 07JUL02 JR RUTH	AMP Incorporated Harrisburg, PA 17105-3608
MATERIAL COPPER ASTM B-188 ANNEALED		CHK 07JUL02 MS FEHER	
FINISH TIN PLATE 0.00381 [.000150] MIN THK PER MIL-T-10727		APPD 07JUL02 MJ SPICER	NAME TERMINAL, RECTANGULAR TONGUE, AMPOWER™ WIRE SIZE: 4/0 AWG
THIS DRAWING IS A CONTROLLED DOCUMENT FOR AMP INCORPORATED. IT IS SUBJECT TO CHANGE AND THE CONTROLLING ENGINEERING ORGANIZATION SHOULD BE CONTACTED FOR THE LATEST REVISION.		APPD 07JUL02 MJ SPICER	SIZE C 00779
		PRODUCT SPEC -	DRAWING NO C-696460
		APPLICATION SPEC -	SCALE 1:1
		WEIGHT -	SHEET 1 OF 1