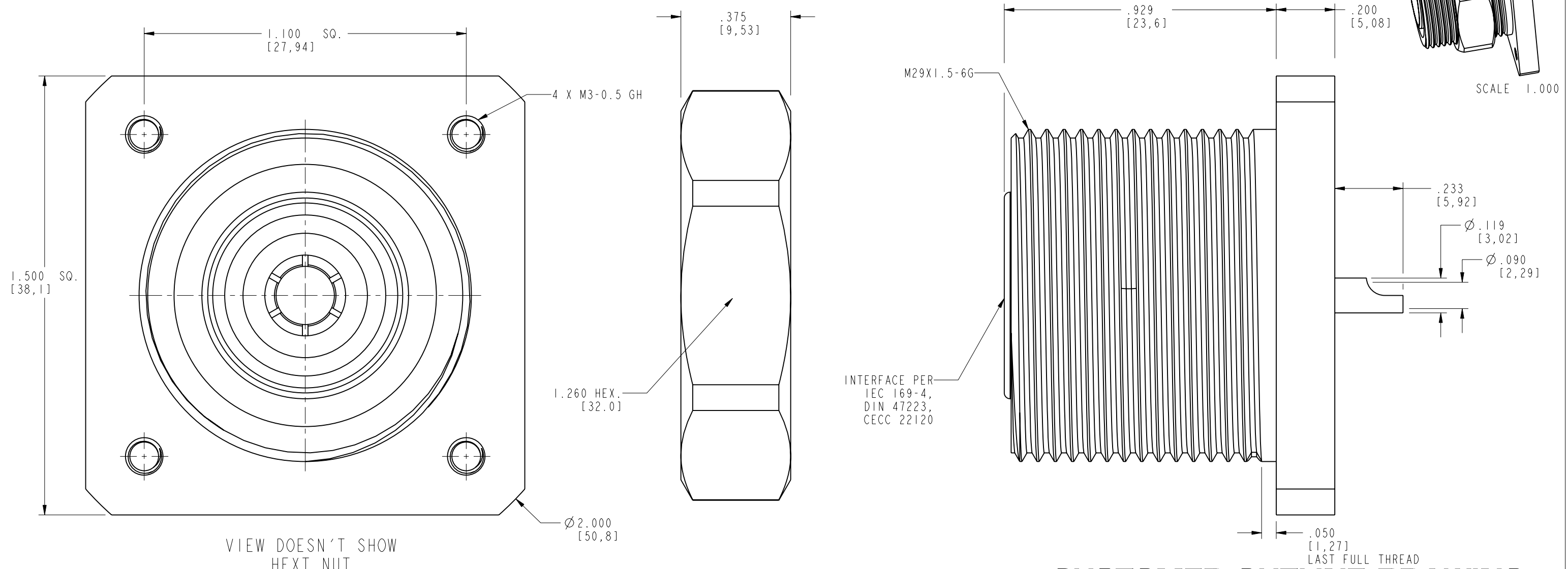


NOTES:

1. MATERIALS AND FINISHES:
 BODY, PIN, HEX. NUT - BRASS, WHITE BRONZE PLATING(55% Cu, 25% TIN, 20% ZINC)
 CONTACT - SPRING COPPER ALLOY, SILVER PLATING(.000150 MIN OVER .000100 MIN COPPER)
 INSULATOR - PTFE
2. ELECTRICAL:
 A. IMPEDANCE: 50 OHM
 B. FREQUENCY RANGE: DC - 7.5 GHz
 C. DIELECTRIC WITHSTANDING VOLTAGE: 4000 VRMS, MIN.
3. MECHANICAL:
 A. DURABILTIY: 500 CYCLES MIN.
 B. TEMPERATURE RANGE: -40° C TO 150° C
 C. COUPLING NUT TORQUE: 22 FT-LBS MIN.
4. PACKAGING:
 A. QUANTITY: SINGLE PACK; WITH PROTECTIVE CAP
 B. MARKING: BAG TO BE MARKED "AMPHENOL, 716-196, AND DATE CODE"
5. CONNECTOR COMPLIES WITH IEC 169-4, CLASS 3 AND CECC 22190 SPECIFICATIONS.

716-196		REVISIONS			
DRAWING NO.	REV	DESCRIPTION	DATE	ECO	APPR
THIRD ANGLE PROJ.	A	RELEASE TO MFG	9/29/06	46288	HP



VIEW DOESN'T SHOW
HEXT NUT

CUSTOMER OUTLINE DRAWING
ALL OTHER SHEETS ARE FOR INTERNAL USE ONLY

UNLESS OTHERWISE SPECIFIED, DIMENSIONS ARE IN INCHES AND TOLERANCES ARE: 2 PLACE DECIMAL ±.015 (0,381 mm) 3 PLACE DECIMAL ±.005 (0,127 mm) ANGLES ± 1°	MATERIAL	DRAWN H. PARIKH	DATE 26-Sep-06	TITLE 7/16 (F) RECEPTACLE BHD, SOLDER CUP	Amphenol RF Danbury, CT, USA Tainan, Taiwan Shenzhen, China www.amphenolrf.com
	REFERENCE EAR# 1923	ENGINEER H. PARIKH	DATE 26-Sep-06		
NOTICE - These drawings, specifications, or other data (1) are, and remain the property of Amphenol Corp. (2) must be returned upon request; and (3) are confidential and not to be disclosed to any person other than those to whom they are given by Amphenol Corp. The furnishing of these drawings, specifications, or other data by Amphenol Corp., or to any other person to anyone for any purpose is not to be regarded by implication or otherwise in any manner licensing, granting rights or permitting such holder or any other person to manufacture, use or sell any product, process or design, patented or otherwise, that may in any way be related to or disclosed by said drawings, specifications, or other data.		APPROVED O. BARTHELME	DATE 9/27/06	CODE ID 74868	DWG SIZE B
					DRAWING NO. 716-196

SCALE: 3.0:1 SHEET 2 OF 2