

AMP\* EXTRACTION TOOL P/N724659-1/-2/-5  
 FOR EXTRACTING POSITIVE LOCK  
 CONNECTOR CONTACTS  
 INSTRUCTION SHEET

411-5106 (Was IS-106J)	
Released	11-22-79
Rev. B1	3-29-95

FJ00-2262-95

Tool-Contact-Housing Selection Chart:

Tool Part No. & Contact Series	Contact Part No.		Housing P/N
724659-1 for 187 Series	170324	170330	172074 172075
	170325	170331	
	170326	170332	
724659-2 for 250 Series	170327	170333	172076
	170328	170334	
	170329	170335	172320
	170452	170453	
	170454	170455	
724659-5 for 187 Series	170324		179182 176448
	170325		179183
	175179		173974

187 Series & 250 Series

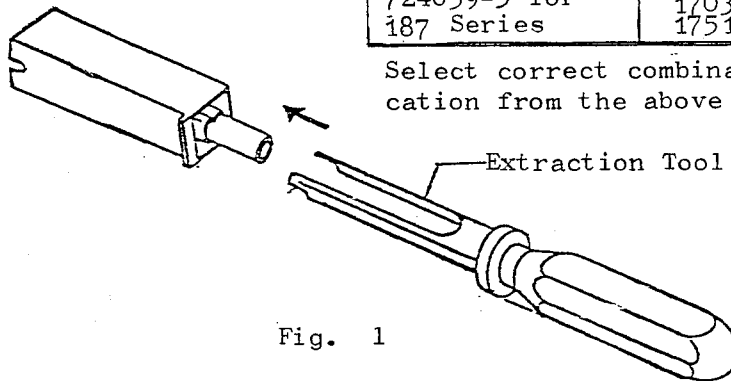


Fig. 1

Select correct combination of part number application from the above chart.

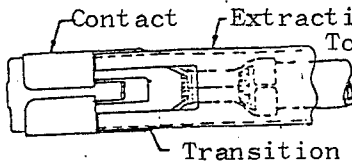


Fig. 2

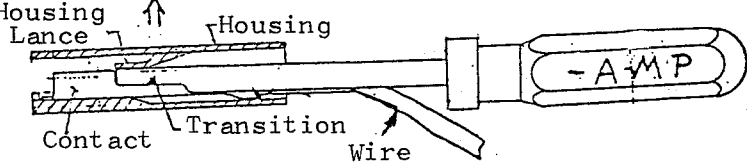


Fig. 3

INTRODUCTION:

This tool has been designed to extract contacts from AMP Positive Lock Connector Housing. Read this instruction sheet carefully before you start operation.

2. EXTRACTION PROCEDURE:

- (a) Insert tip ends of the tool into housing from the wire side of housing, until they reach the contact feeling lightly. At this moment, the tip ends must rest on the transition area of contact. Refer to Fig. 1 and Fig. 2.

- (b) With the tip ends resting on the transition of the contact, move up to release housing lance, so that the contact can be pulled out as you withdraw the tool with the contact. Refer to Fig. 3.
- (c) When the contact can not be pulled out, avoid pulling back forcibly. Repeat the procedure (a) and (b), and make sure that the housing lance is unlocked, then you can remove contact from housing.

3. REMARKS:

Do not use the tool for the purpose other than designated.