

PRODUCT NUMBER

73398-YXXXLF

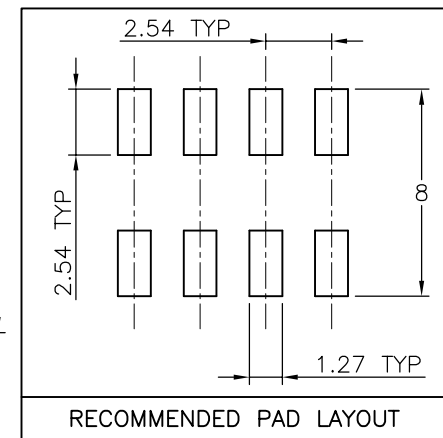
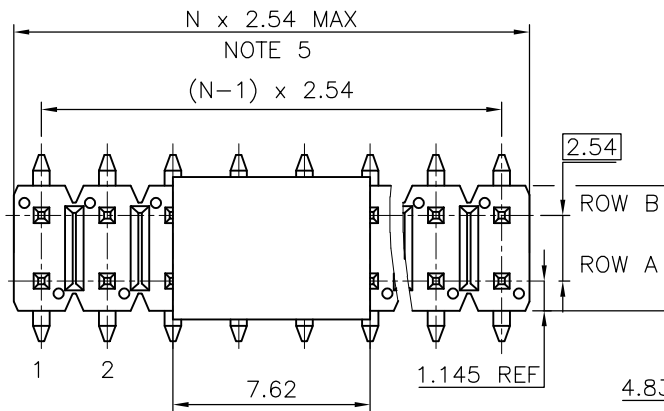
RoHS COMPATIBLE, NOTE 6.
PACKAGING OPTIONS, NOTE 3.

PLATING

- 1= 0.76µm GOLD/GXT ON CONTACT AREA, 2µm TIN MIN ON TAILS
- 4= 2.0µm TIN MIN FULL PLATED
- 5= 0.25µm GOLD/GXT ON CONTACT AREA, 2µm TIN MIN ON TAILS
- 8= 0.38µm GOLD/GXT ON CONTACT AREA, 2µm TIN MIN ON TAILS

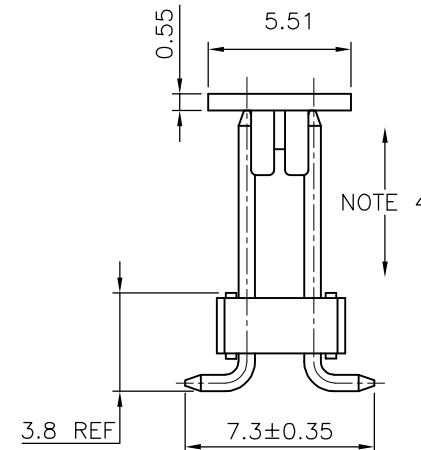
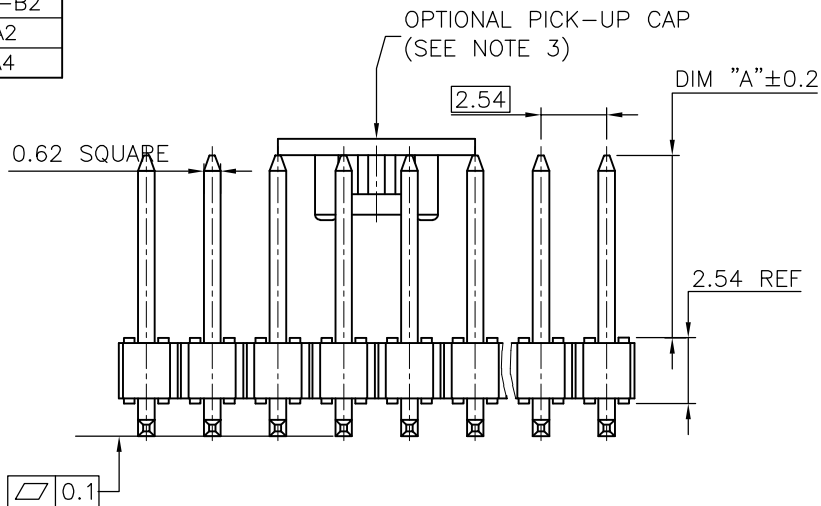
1.27µm NICKEL MIN UNDERLAYER FOR ALL PLATING VERSIONS

STYLE	SIZE	DIM"A"	OMIT PINS
01	2x05	5.84	A5
02	2x03	5.84	B2
03	2x04	5.84	B1
04	2x11	8.38	A6
05	2x20	8.38	B10
06	2x05	8.38	A5
07	2x08	5.84	B7
08	2x04	5.84	B4
09	2x20	5.84	A11
10	2x07	5.84	A4-B7
11	2x13	5.84	A3-B1
12	2x12	5.84	A2
13	2x05	5.84	B5
14	2x05	5.84	B4
15	2x03	5.84	A2-B2
16	2x03	16.40	A2
17	2x05	5.84	A4



NOTES:

1. HOUSING MAT'L : HIGH TEMPERATURE THERMOPLASTIC. UL94V-0 COLOR: BLACK
2. PIN MATERIAL : PHOSPHOR BRONZE
- 3 - PACKAGING OPTIONS:
= POLY BAGS
B = TUBE + CAP
A = TAPE & REEL WITH CAP, AS AVAILABLE
4. 9N MIN RETENTION IN EITHER DIRECTION
5. TO DETERMINE DIMENSIONS :
N = NUMBER OF POSITIONS PER ROW
EXAMPLE : 8 POS N x 2.54 = 20.32mm
6. RoHS COMPATIBLE PRODUCT SPECIFICATIONS
 - a - PLATING:
- "LF" MEANS THE PRODUCT IS LEAD-FREE, 2µm MINIMUM MATTE TIN OVER 1.27µm MINIMUM NICKEL UNDERPLATE.
 - b - MANUFACTURING PROCESS COMPATIBILITY
- THE HOUSING WILL WITHSTAND EXPOSURE TO 260°C PEAK TEMPERATURE FOR 30 SECONDES IN A CONVECTION, INFRA-RED OR VAPOR PHASE REFLOW OVEN.
 - c - LABELING:
- MEETS PACKAGING SPECS AS PER GS-14-920
 - d - LEGAL STATEMENT: SEE GS-47-0004



mat'l. code		surface	tolerance	projection	product family
		ISO 1302	ISO 406 ISO 1101		HEADER
ltr	ecn no	dr	date	title	
R	B18983	LMU	14.10.03	HEADER DR,	
S	B-20597	AMA	15.03.30	DUPLX SMT POLARIZED	
T	F-23055	AMA	16.01.15	scale 5:1	dwg no
U	F-26753	DDE	17.04.20		sheet 1 of 1
V	F-28256	LMU	17.10.25		size
P	F11-0328	LMU	11.11.15		73398
sheet	revision				A3
index	sheet				type CUSTOMER Drawing