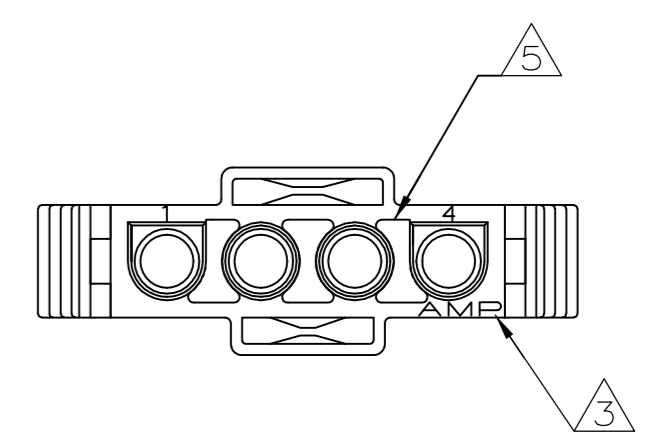


- 1. BULK PACKAGED, UNASSEMBLED.
- 2. APPROVAL AGENCY LOGO LOCATED APPROXIMATELY AS SHOWN.
- 3. AMP LOGO LOCATED THIS SURFACE.
- 4. CIRCUIT NUMBER ONE IDENTIFICATION BUTTON AND CIRCUIT IDENTIFICATION NUMBERS ARE EACH LOCATED ADJACENT TO THE APPROPRIATE CIRCUIT CAVITIES.
- 5. NEW MOLD CONSTRUCTION PROVIDES MATERIAL REDUCTION CORING AT BASE OF SILOS WITH NO CORING AS OPTIONAL.
- 6. DIMENSION INDICATED IS AS MOLDED. ADDITIONAL GROWTH DUE TO SUBSEQUENT MOISTURE ABSORPTION MAY OCCUR.



VIEW A-A
SCALE 2:1

PLUG FRONT
(P/N 770035-1)

PLUG REAR
(P/N 770036-1)

770019-1
PART NUMBER
PART NO

METRIC

THIS DRAWING IS A CONTROLLED DOCUMENT.		DWN K. SALMON 1-22-92	TE Connectivity	
DIMENSIONS: INCHES		CHK R. SWING 1-22-92	APVD M. TRULL 1-22-92	
TOLERANCES UNLESS OTHERWISE SPECIFIED:		NAME PLUG HOUSING KIT, 4 CIRCUIT, IN-LINE, UNIVERSAL MATE-N-LOK™ II		
0 PLC ± -	1 PLC ± -	PRODUCT SPEC		
2 PLC ± -	3 PLC ± 0.13 [.005]	APPLICATION SPEC		
4 PLC ± -	ANGLES ± -	SIZE A1		
MATERIAL NYLON,UL94V-0,	FINISH -	WEIGHT -	DRAWING NO 00779	DRAWING NO 770019
CUSTOMER DRAWING		SCALE 5:1	SHEET 1 of 1	REV E1