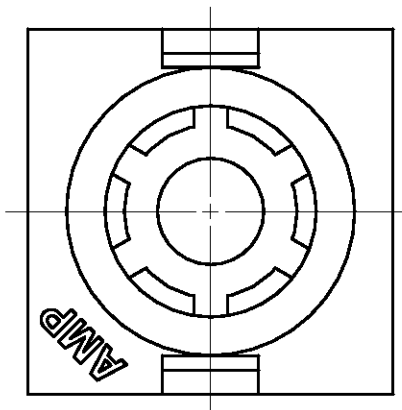
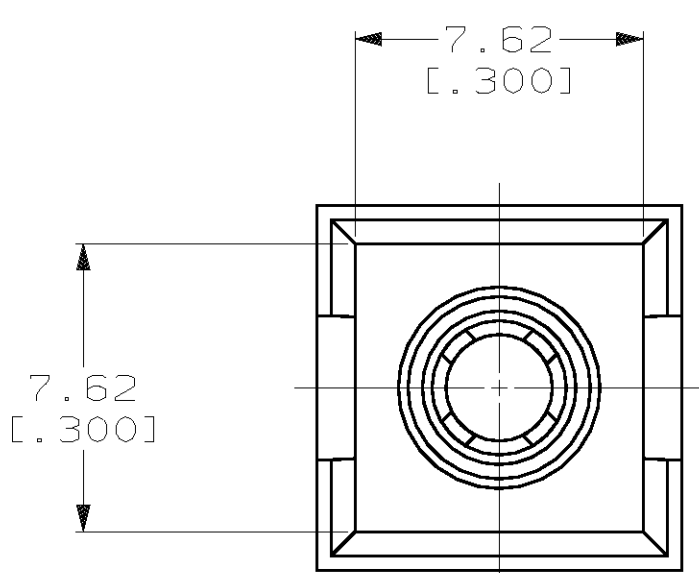
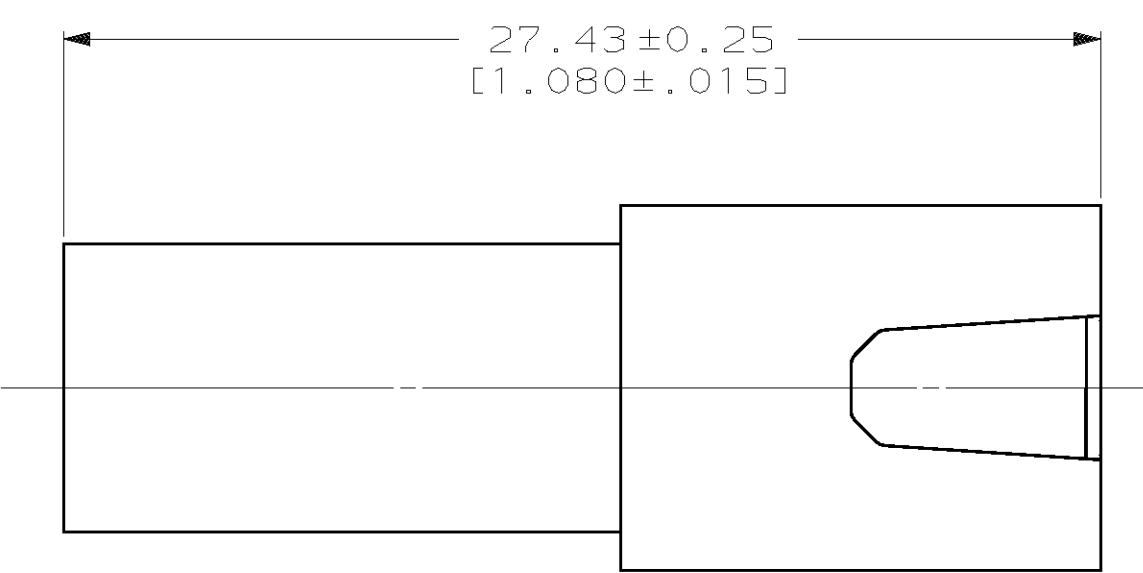
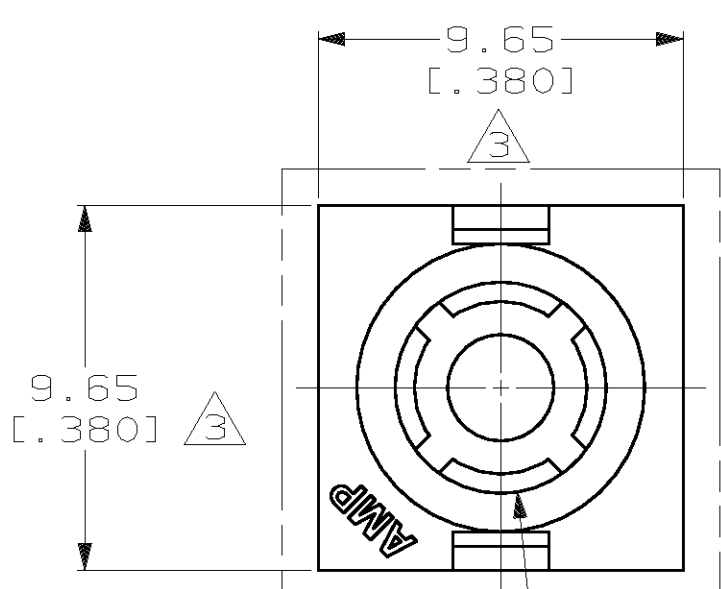
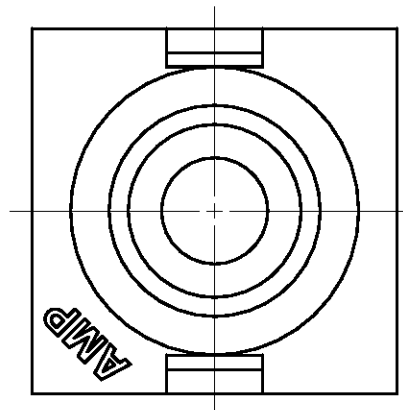
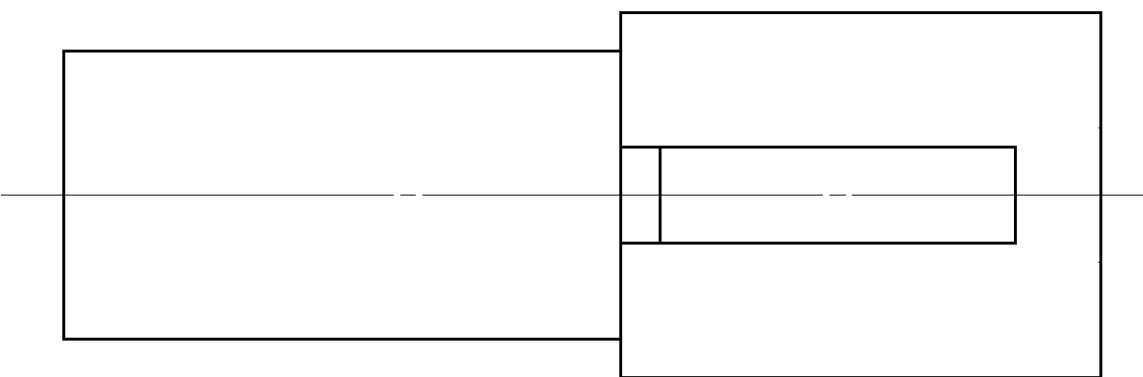


THIS DRAWING IS UNPUBLISHED. RELEASED FOR PUBLICATION
 © COPYRIGHT 19 BY AMP INCORPORATED. ALL INTERNATIONAL RIGHTS RESERVED.

LOC	DIST	REVISIONS			
CM	53	P	F	ZONE	LTR
DESCRIPTION					
J REV PER EC 0G1B-0184-98					
DATE					APPD
03-NOV-98					JH RS

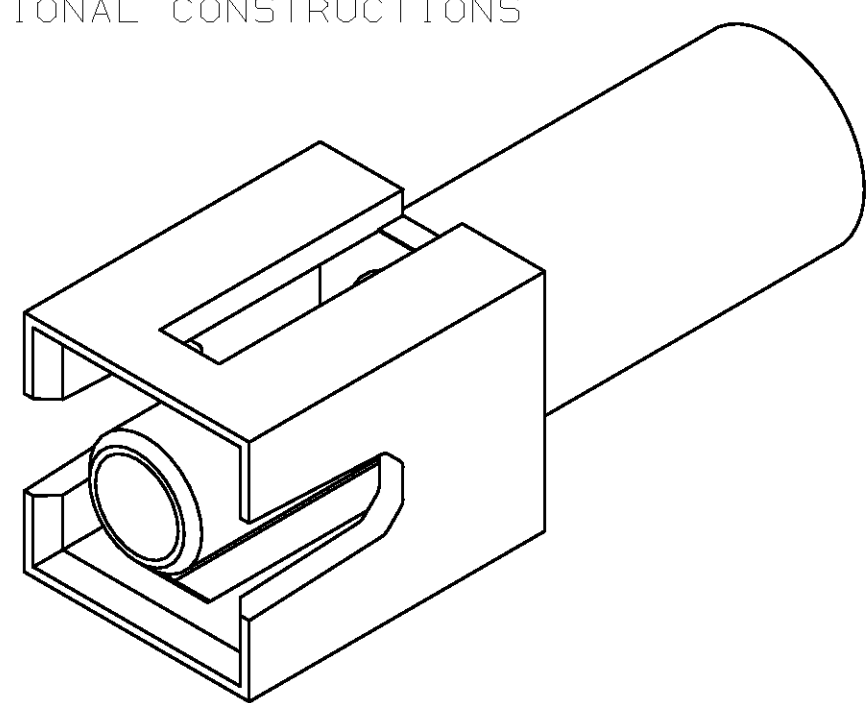


SEE DETAIL A



1. MATES WITH HOUSING 350867.
2. DIMENSIONS IN BRACKETS ARE IN INCHES.
3. DIMENSION INDICATED IS AS MOLDED. ADDITIONAL GROWTH DUE TO SUBSEQUENT MOISTURE ABSORPTION MAY OCCUR.
4. FOUR RIBS EQUALLY SPACED, NO SPECIFIC ORIENTATION. NO RIBS OR SIX RIBS EQUALLY SPACED, NO SPECIFIC ORIENTATION, OPTIONAL.

DETAIL A
OPTIONAL CONSTRUCTIONS



3-DIMENSIONAL MODEL
NTS

METRIC

770421-1
PART NO

DO NOT SCALE PRINT. UNLESS SPECIFIED DIMENSIONS IN mm [INCHES] TOLERANCES ON:	DR 8-12-91 K. WHITAKER
2 PLC DEC ± 0.13 [0.005]	CHK 8-12-91 R. SWING
3 PLC DEC ± -	APPD 8-12-91 D. SELF
ANGLES ± -	APPD 8-12-91 D. SELF
MATERIAL	PRODUCT SPEC
NYLON, UL 94V-2 NATURAL	-
FINISH	APPLICATION SPEC
-	-
WEIGHT	-

AMP AMP Incorporated Harrisburg, PA 17105-3608		
NAME CAP, SINGLE CIRCUIT, UNIVERSAL MATE-N-LOK™		
SIZE	CAGE CODE	DRAWING NO
©	00779	770421
SCALE	5:1	SHEET 1 OF 1