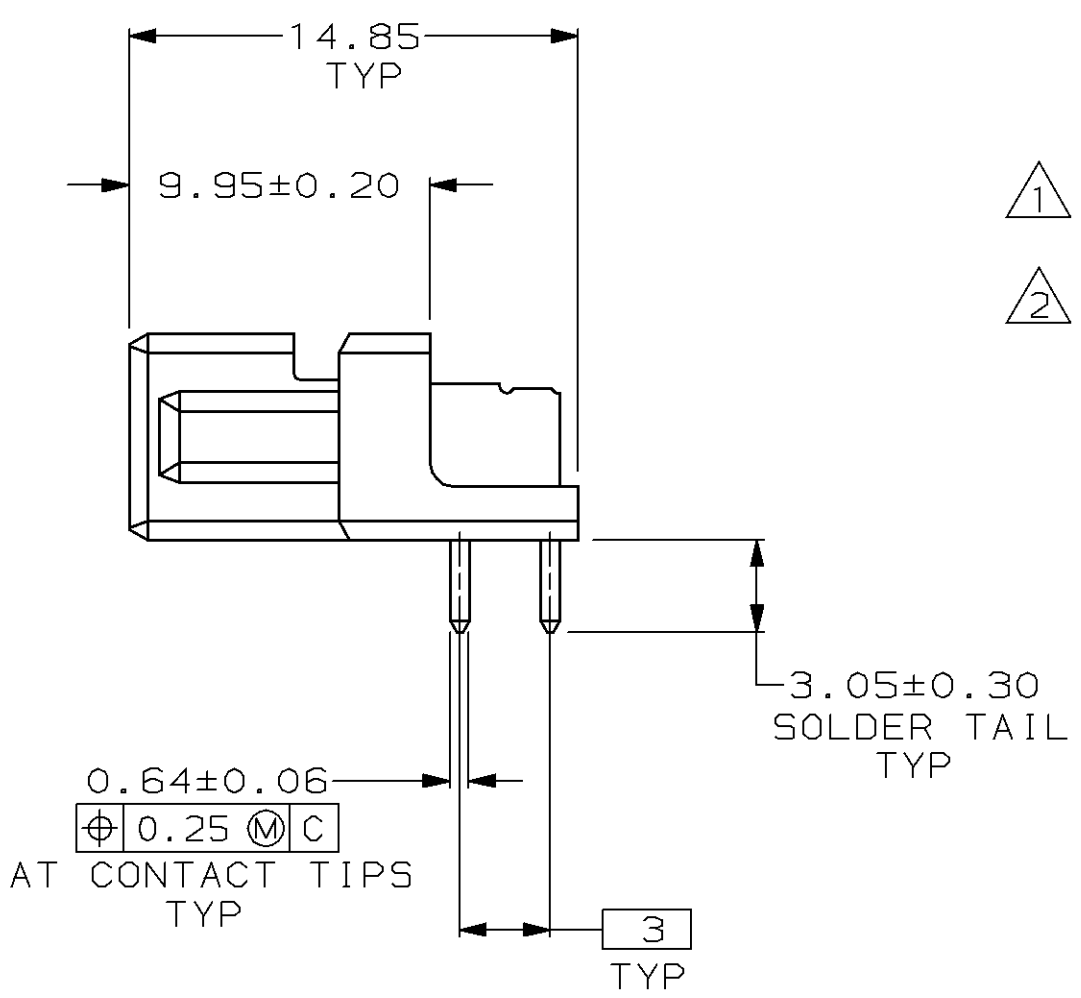
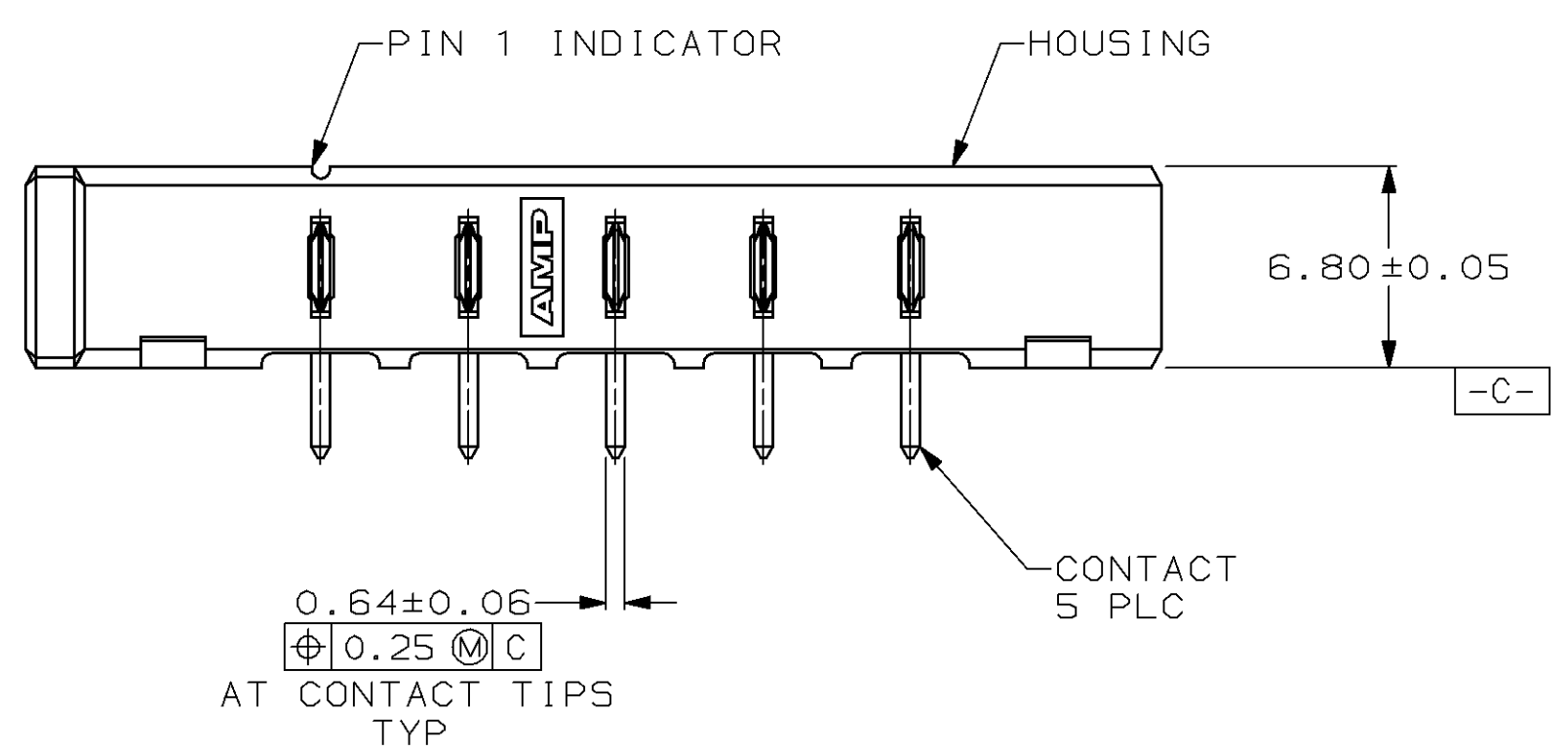
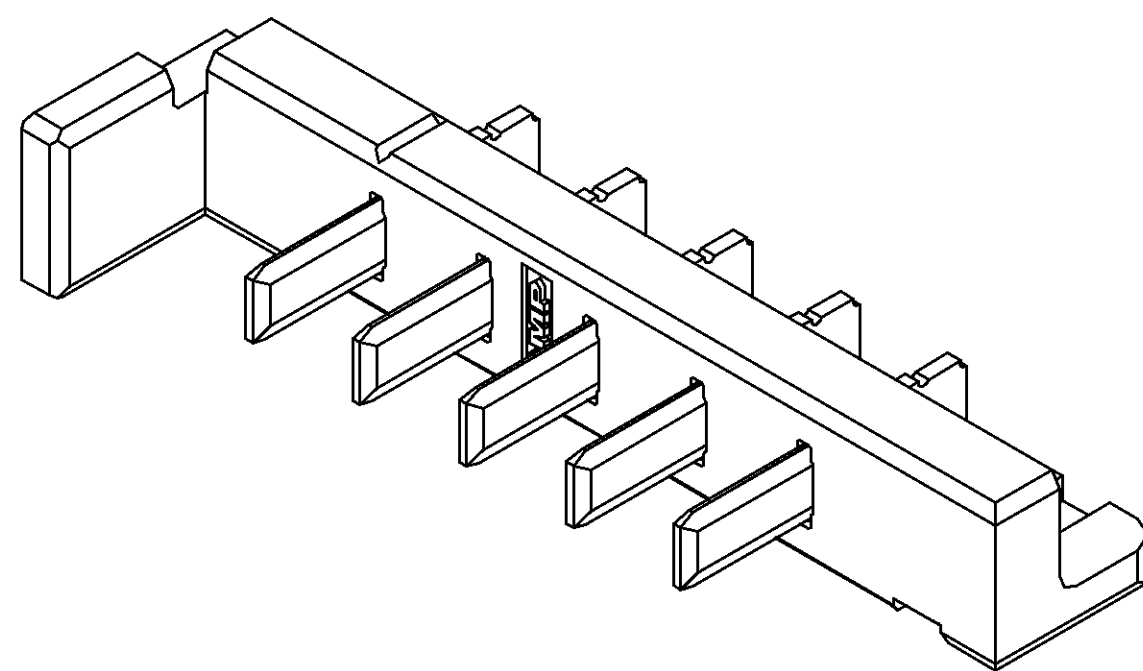
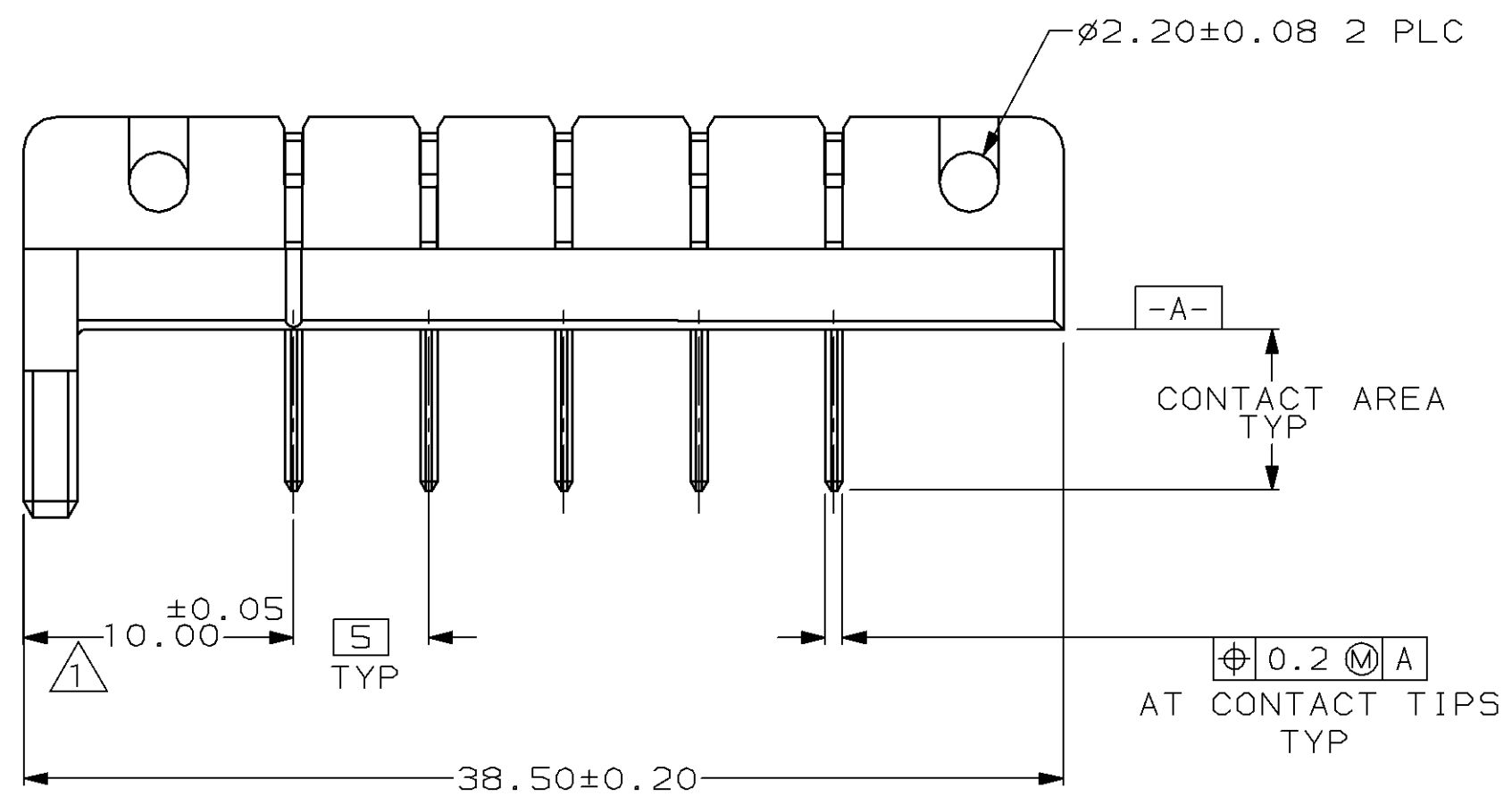
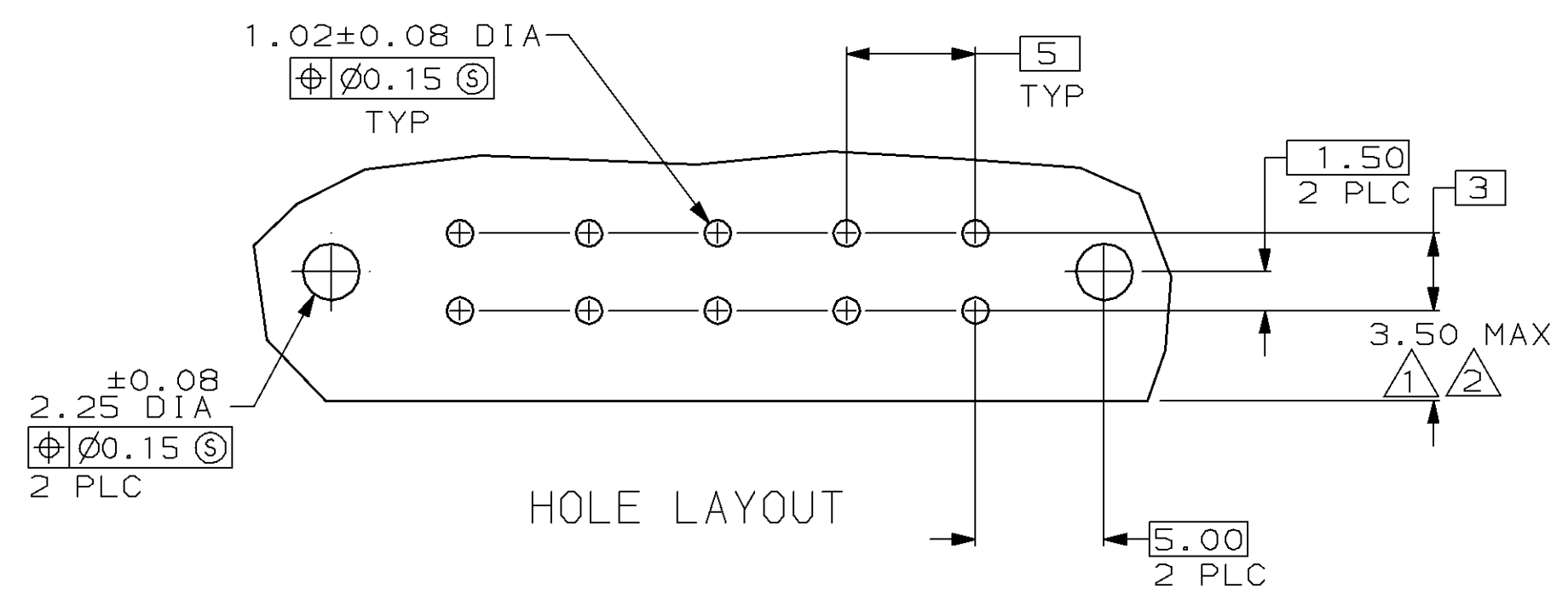


LOC	DIST	P	F	REVISIONS			DATE	APPD
				ZONE	LTR	DESCRIPTION		
AD	39			0		RLSE PER NPR 5135, WAS 94-1878-66-1	07/05/94	RSK
				A		REV PER EC 0020-982-94	09/12/94	RSK
				B		REV PER EC 0020-1339-94	12/08/94	RK
				C		REV PER EC 0020-0657-96	12/06/96	RK



1 COORDINATE DIMENSION APPLIES FROM CENTER OF ACTUAL FEATURE.  
 2 DIMENSION CAN BE EXCEEDED FOR APPLICATIONS WHERE FINAL MATED POSITION OF PACK IS ABOVE TOP SURFACE OF PCB.



DO NOT SCALE PRINT. UNLESS SPECIFIED DIMENSIONS IN mm TOLERANCES ON: 2 PLC DEC $\pm 0.10$ 3 PLC DEC $\pm$ - ANGLES $\pm$ -		DR 06-07-94 G.DOUTY	787246-1 PART NO	
MATERIAL HOUSING: LCP COLOR: BLACK CONTACTS: BRASS	CHK 06-30-94 S.KLINE	APPD 06-30-94 S.KLINE	AMP AMP Incorporated Harrisburg, PA 17105-3608	
FINISH CONTACTS: 2.54 $\mu$ m MIN TIN-LEAD ON SOLDER TAIL OVER 1.90 $\mu$ m MIN NICKEL ALL OVER.	APPD 06-30-94 S.KLINE	PRODUCT SPEC -	NAME HEADER ASSEMBLY, RIGHT ANGLE, LEFT VOLTAGE KEY, 10.8V, BATTERY INTERCONNECTS	
	APPLICATION SPEC -	SIZE C	CAGE CODE 00779	DRAWING NO G=787246
	WEIGHT -	SCALE 4:1	SHEET 1 OF 1	

THIS DRAWING IS A CONTROLLED DOCUMENT FOR AMP INCORPORATED. IT IS SUBJECT TO CHANGE AND THE CONTROLLING ENGINEERING ORGANIZATION SHOULD BE CONTACTED FOR THE LATEST REVISION.