

DESCRIPTION: M12 FEMALE - CABLE MOUNT - SOLDER CUP - 4 POS.

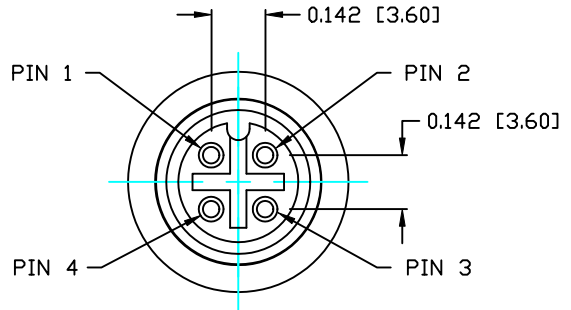
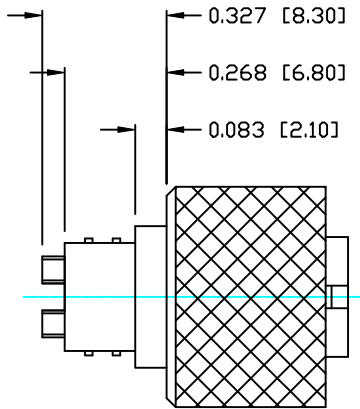
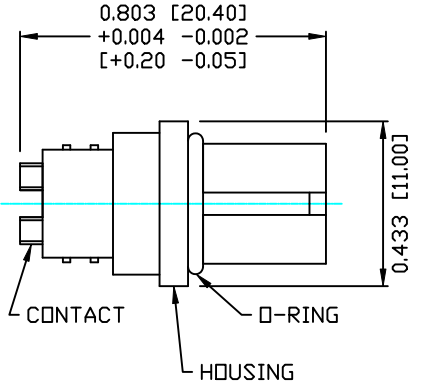
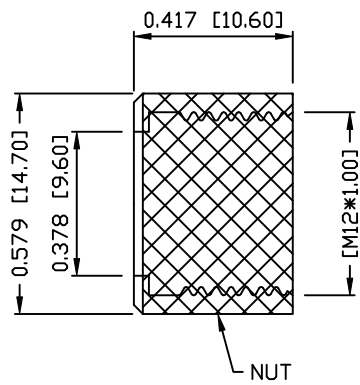
NOTE:

MATERIAL
 HOUSING: PBT UL94V-0, BLACK
 CONTACT: BRASS
 NUT: BRASS
 O-RING: EPDM, BLACK

FINISH
 CONTACT: GOLD PLATED, 10µ Min.
 UNDER PLATE: NICKEL
 NUT: NICKEL PLATED
 60µ TO 100µ OVER ALL

ELECTRICAL
 RATED CURRENT: 5A
 RATED VOLTAGE: 125V
 WATER PROOF: IP67

ENVIRONMENT
 OPERATION TEMPERATURE: -40°C TO +85°C
 WIRE GAUGE: 24-28 AWG



RoHS COMPLIANT

DO NOT SCALE FROM DRAWING



THESE DRAWINGS AND SPECIFICATIONS ARE THE PROPERTY OF NorComp AND SHALL NOT BE REPRODUCED, COPIED OR USED AS THE BASIS FOR THE MANUFACTURE OR SALE OF APPARATUS WITHOUT WRITTEN PERMISSION.

DRAWN: C. SMITH
 DATE: 08-29-14
 CHECKED:
 DATE:

NorComp

SCALE: N.T.S.
 SHEET 1 OF 1
 REV 0
 DWG NO. 858-004-203RSU4