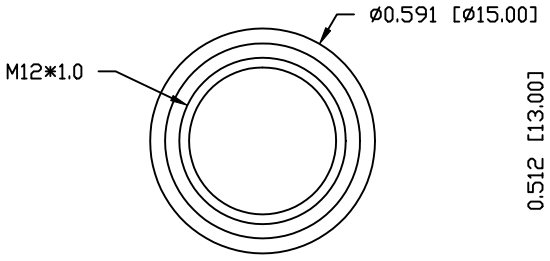
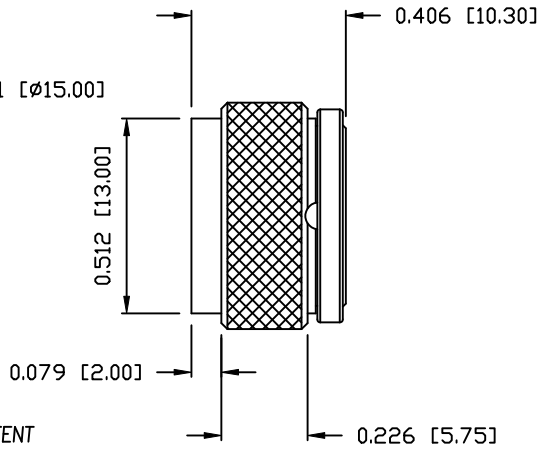


**DESCRIPTION: M12 FEMALE - CABLE MOUNT - SOLDER CUP - 5 POS. - HIGH VIBRATION**

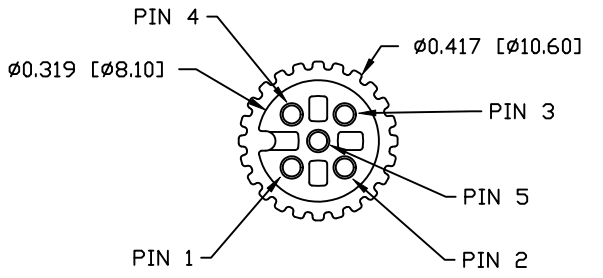


NUT & ANTI-VIBRATION DETENT

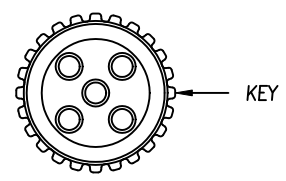
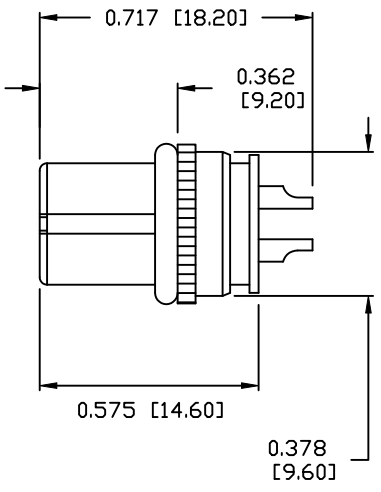


**NOTE:**

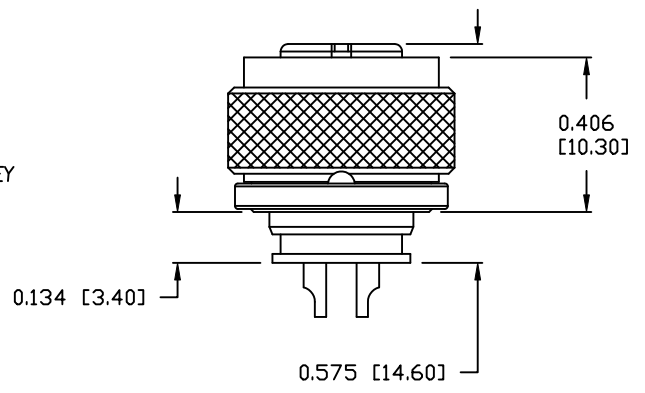
<b>MATERIAL</b>	
HOUSING:	PA66 UL94V-0, BLACK
CONTACT:	BRASS
NUT:	BRASS
O-RING:	EPDM, BLACK
<b>FINISH</b>	
CONTACT:	10µ" GOLD OVER 50µ" NICKEL
NUT:	NICKEL PLATED 60µ" TO 100µ" OVER ALL
<b>ELECTRICAL</b>	
RATED CURRENT:	3A
RATED VOLTAGE:	125V
INSULATION RESISTANCE:	100 mΩhms MIN.
CONTACT RESISTANCE:	10 MΩhms MAX.
WATER PROOF:	IP67
<b>ENVIRONMENT</b>	
OPERATION TEMPERATURE:	-20°C TO +85°C
WIRE GAUGE:	24-28 AWG



HOUSING & PIN & O-RING



KEY



**RoHS COMPLIANT**

**DO NOT SCALE FROM DRAWING**



THESE DRAWINGS AND SPECIFICATIONS ARE THE PROPERTY OF NorComp AND SHALL NOT BE REPRODUCED, COPIED OR USED AS THE BASIS FOR THE MANUFACTURE OR SALE OF APPARATUS WITHOUT WRITTEN PERMISSION.

DRAWN:	M. SIGMON	DATE:	08-04-16
CHECKED:		DATE:	

**NorComp**

SCALE:	N.T.S.	SHEET	1	OF	1	REV	1
DWG NO.	858VA05-203RLU4						