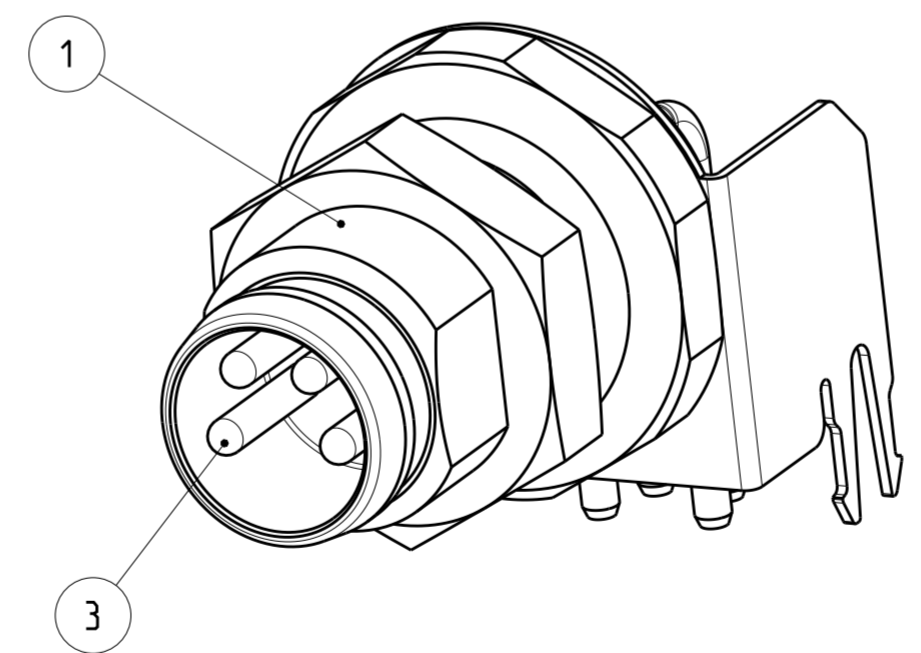
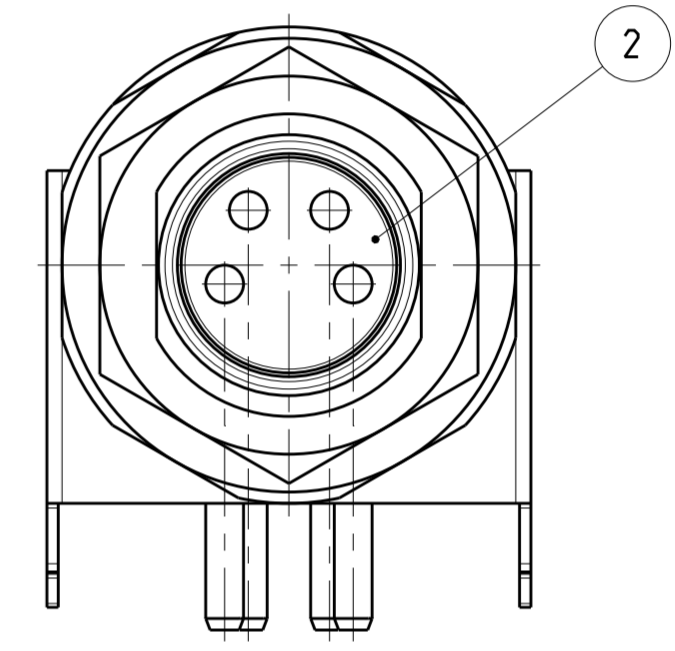
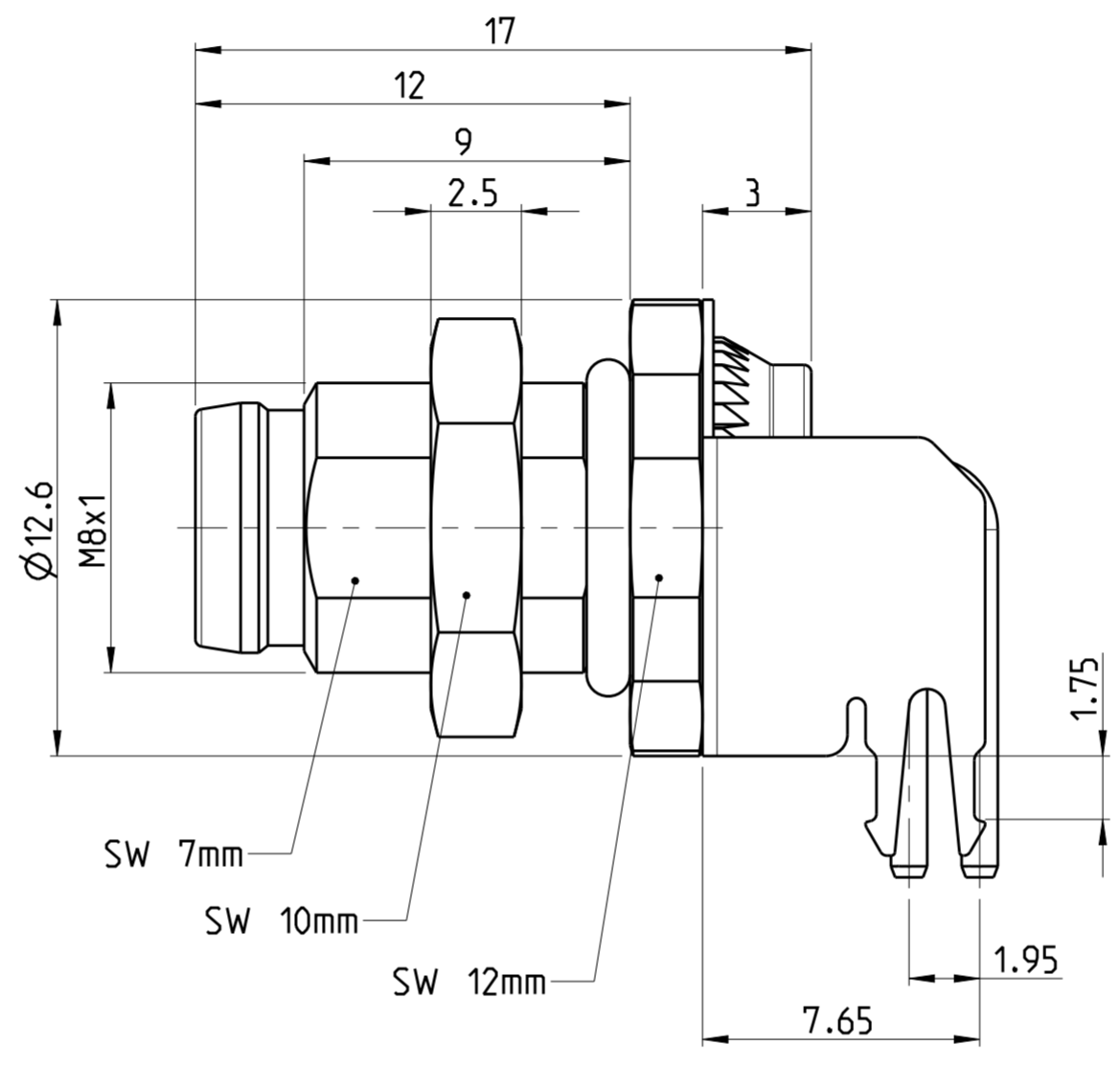


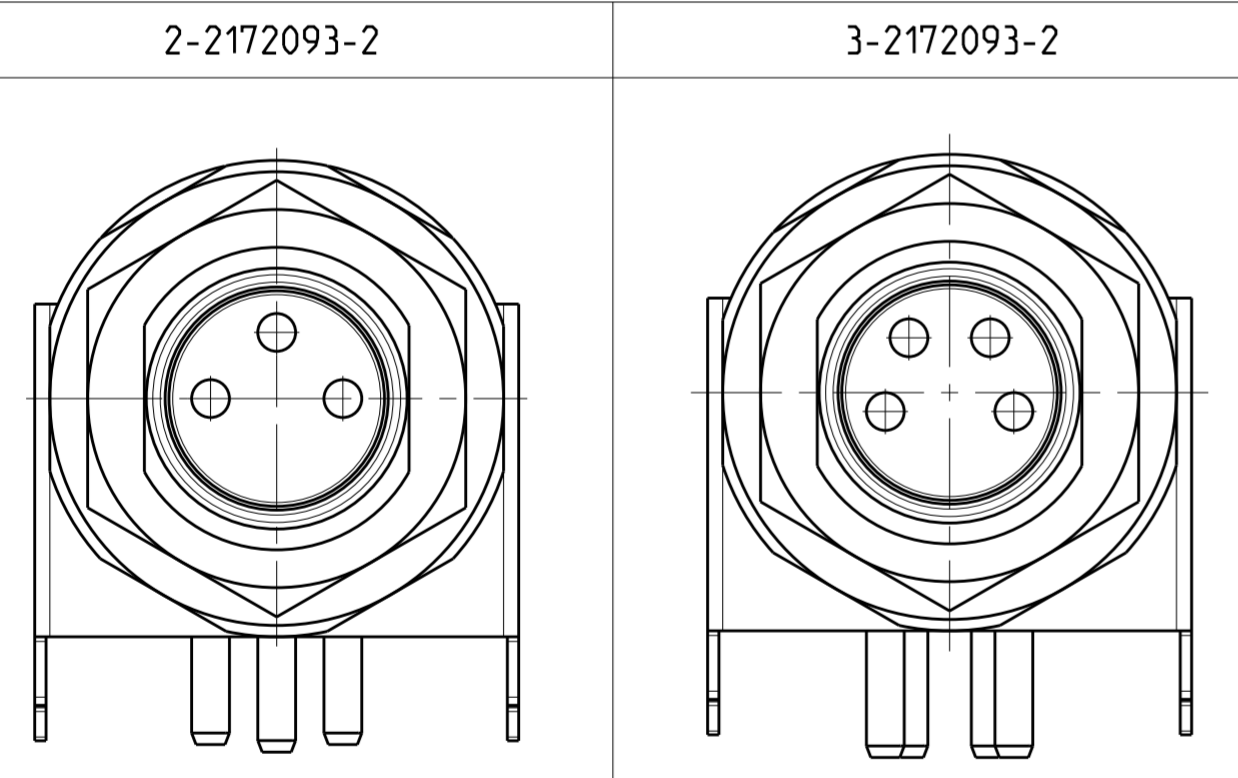
REVISIONS		DATE	DWN	APVD
ÄNDERUNGEN				
P	LTR	DESCRIPTION		
BESCHREIBUNG				
A		NEW RELEASE	04DEC2014	TJ PS

TECHNICAL DATA	2-2172093-2	3-2172093-2
	RATED VOLTAGE	60V
RATED IMPULSE VOLTAGE	800V	800V
POLLUTION DEGREE	3	3
OVERVOLTAGE CATEGORY	II	II
MATERIAL GROUP	II	II
RATED CURRENT	4A	4A
VOLUME RESISTIVITY	≤ 3mΩ	≤ 3mΩ
DEGREE OF PROTECTION	IP67	IP67
UPPER TEMPERATURE	+85 °C	+85 °C
LOWER TEMPERATURE	-40 °C	+40 °C

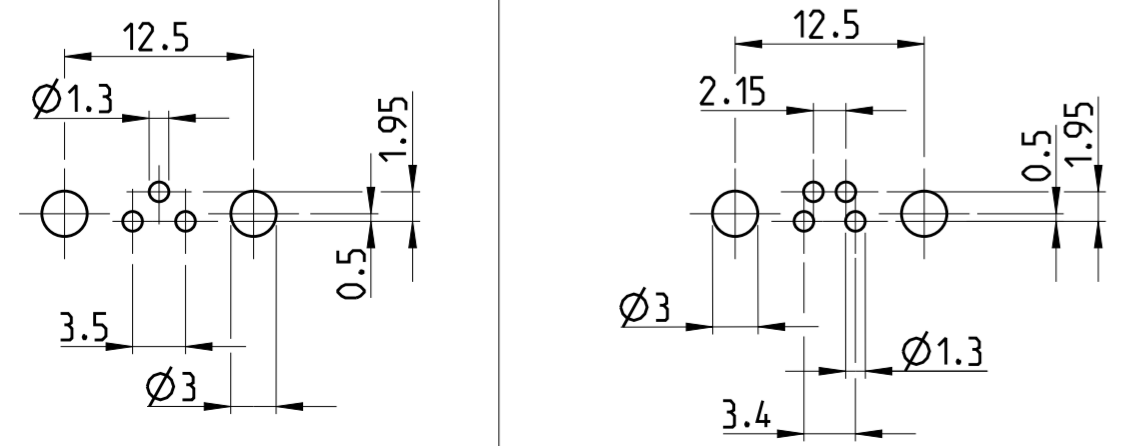
NOTES:
 1 MATERIAL: ITEM NO. 1: HOUSING - ZINC DIECASTING NICKEL PLATED.
 ITEM NO. 2: CONTACT BODY - PA (UL 94 HB)
 ITEM NO. 3: CONTACT - CuZn (BRASS)
 CONTACT FINISH - Au (GOLD)
 2 ALL DIMENSIONS ARE FOR NOMINAL REFERENCE ONLY UNLESS OTHERWISE STATED



PIN ARRANGEMENT



CONDUCTOR LAYOUT



SIZE ISO 14405 (E)

DIESE ZEICHNUNG IST EIN KONTROLLIERTES DOKUMENT. BEMASSUNGEN UND TOLERANZEN GEMAESS GPS (ISO STANDARDS).

THIS DRAWING IS A CONTROLLED DOCUMENT. DIMENSIONING AND TOLERANCING PER GPS (ISO STANDARDS).

DIMENSIONS: MASSEINHEITEN: (MM)	TOLERANCES UNLESS OTHERWISE SPECIFIED: ALLGEMEINTOLERANZEN	DWN YASHKUMAR 14 AUG 2014
		CHK M. BRUBAKER 14 AUG 2014
		APVD M. BRUBAKER 14 AUG 2014
		NAME M. BRUBAKER
		PRODUCT SPEC 108-19483
		APPLICATION SPEC 114-32127
MATERIAL	FINISH/OBERFLÄCHE/FARBE	WEIGHT GEWICHT
SEE NOTES	SEE NOTES	-

Customer Drawing

⚠	4	3-2172093-2
⚠	3	2-2172093-2
MATERIAL	NUMBER OF POLES	TE-PART-NO.



M8 RECEPTACLE, MALE, PCB MOUNT, ANGLED, SHIELDED, METAL STANDOFF PANEL REAR

SIZE A2	CAGE CODE 00779	DRAWING NO. ZEICHNUNGS-NR. C-2172093	RESTRICTED TO NUR FÜR -
SCALE MASSSTAB 5:1	SHEET BLATT 1	OF VON 1	REV A