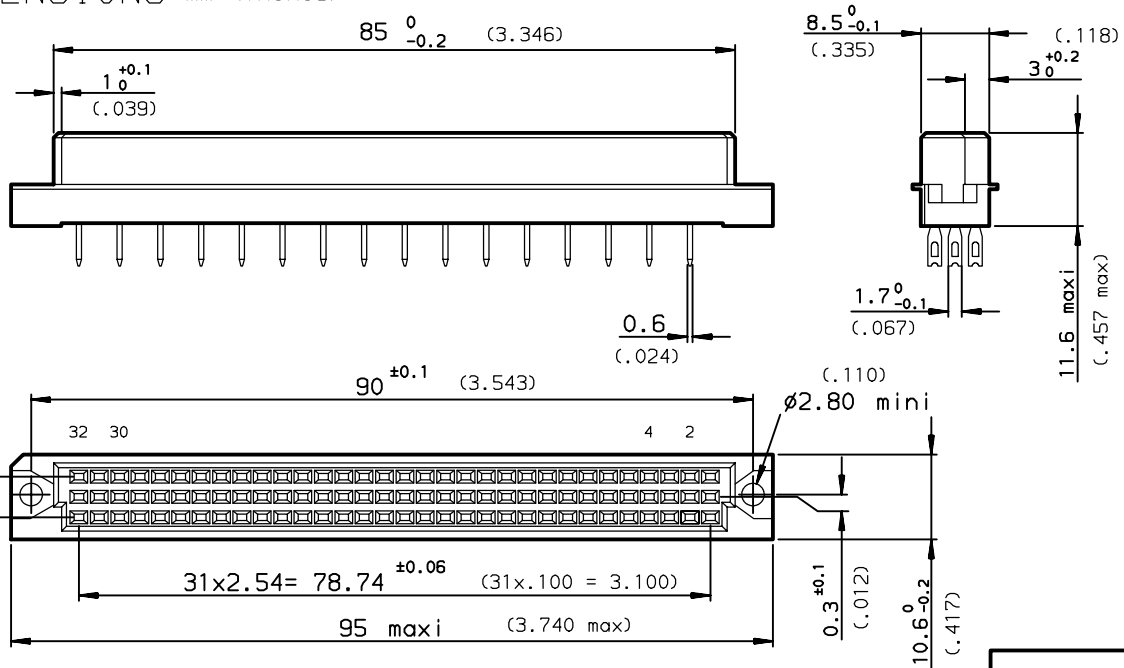


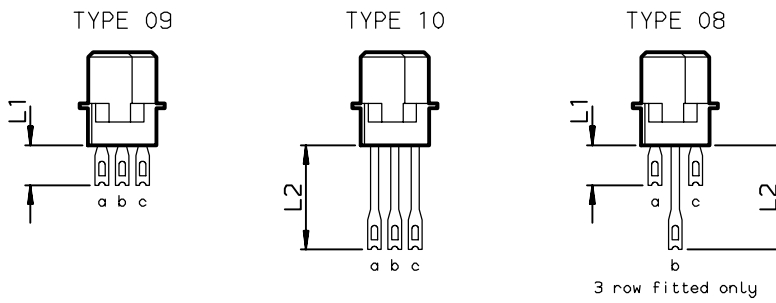
DIMENSIONS mm (inches)



GENERAL CHARACTERISTICS AND ROHS INFORMATIONS:
SEE DRAWING C-8609-0000B

PART NUMBER	8609	<input type="checkbox"/>	<input type="checkbox"/>	81	<input type="checkbox"/>	7	<input type="checkbox"/>	8	<input type="checkbox"/>
PIN OUT									
rows a-b-c				3				48	
rows a-c				4				32	
NUMBER OF CONTACTS									
TERMINATION									
L1 = 5.35 ±0.35 (.210)								short solder eyelet	09
L2 = 13.35 ±0.35 (.525)								long solder eyelet	10
L1 and L2								mixed solder eyelet	08
PERFORMANCE CLASS									
DIN 41612 class 3									4
DIN 41612 class 2									5
DIN 41612 class 1									6
TERMINATION TYPE									
TIN LEAD									000E1
LEAD FREE									E1LF

TERMINATION



rev	ecn no	dr	date
A	-	ROU	1997/10/30
B	LS05-005	JTA	2005/03/17
C	LS06-0095	LG0	2006/06/22
-	-	-	-
-	-	-	-
-	-	-	-

www.fciconnect.com		surface ISO 1302 <input checked="" type="checkbox"/>	tolerance std ISO 406 ISO 1101	projection 	mm
TOLERANCES UNLESS OTHERWISE SPECIFIED					
Dr	ROUILLARD	1997/10/30	ANGULAR	0.X ±0.1	size A3
Eng	TARON	1997/10/30	LINEAR	0.XX ±0.1	Scale 1.5
Chr	LEGARE	1997/10/30	0.XX' ±2'	0.XXX ±0.1	ECN LS06-0095
Appr	LEGARE	1997/10/30	Product family	DIN 8609	Spec ref -
		STRAIGHT FEMALE - STYLE C			Rev. C
		SOLDER EYELET			dwg no C-8609-0655
catalog no					CUSTOMER sheet 1 of 1

European Views

Copyright FCI. FCI