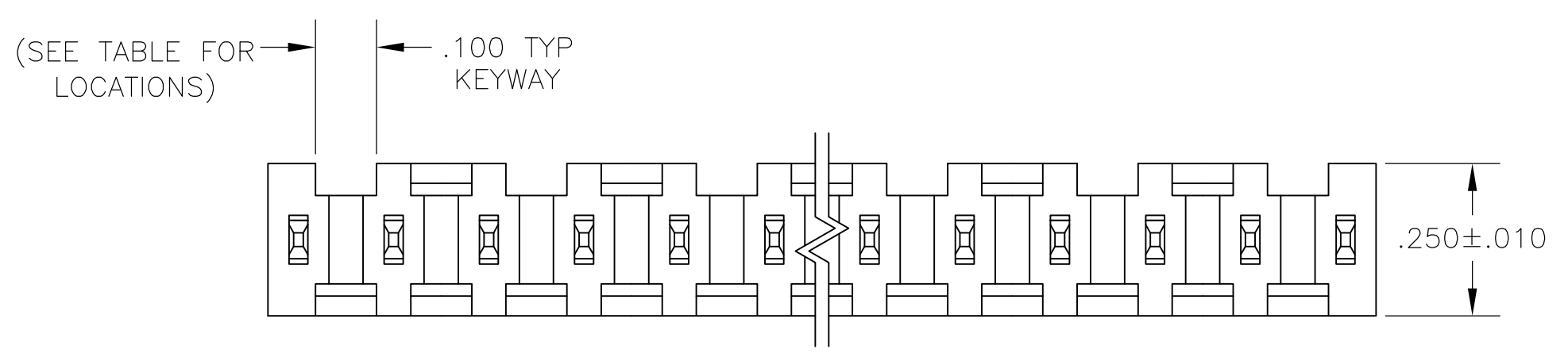
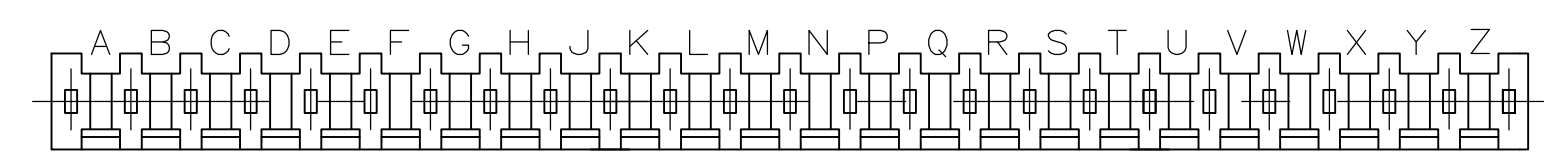
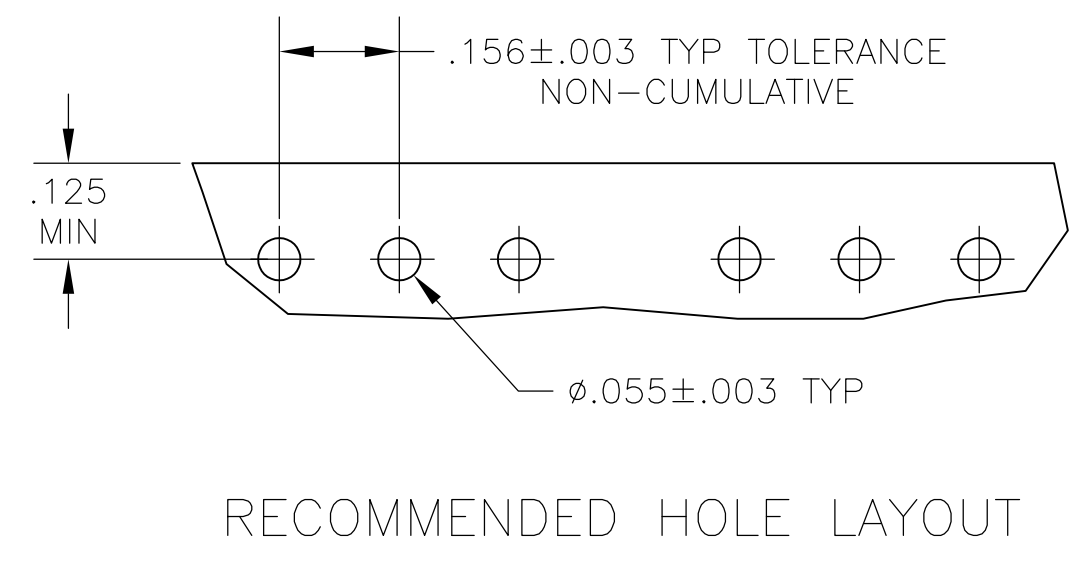
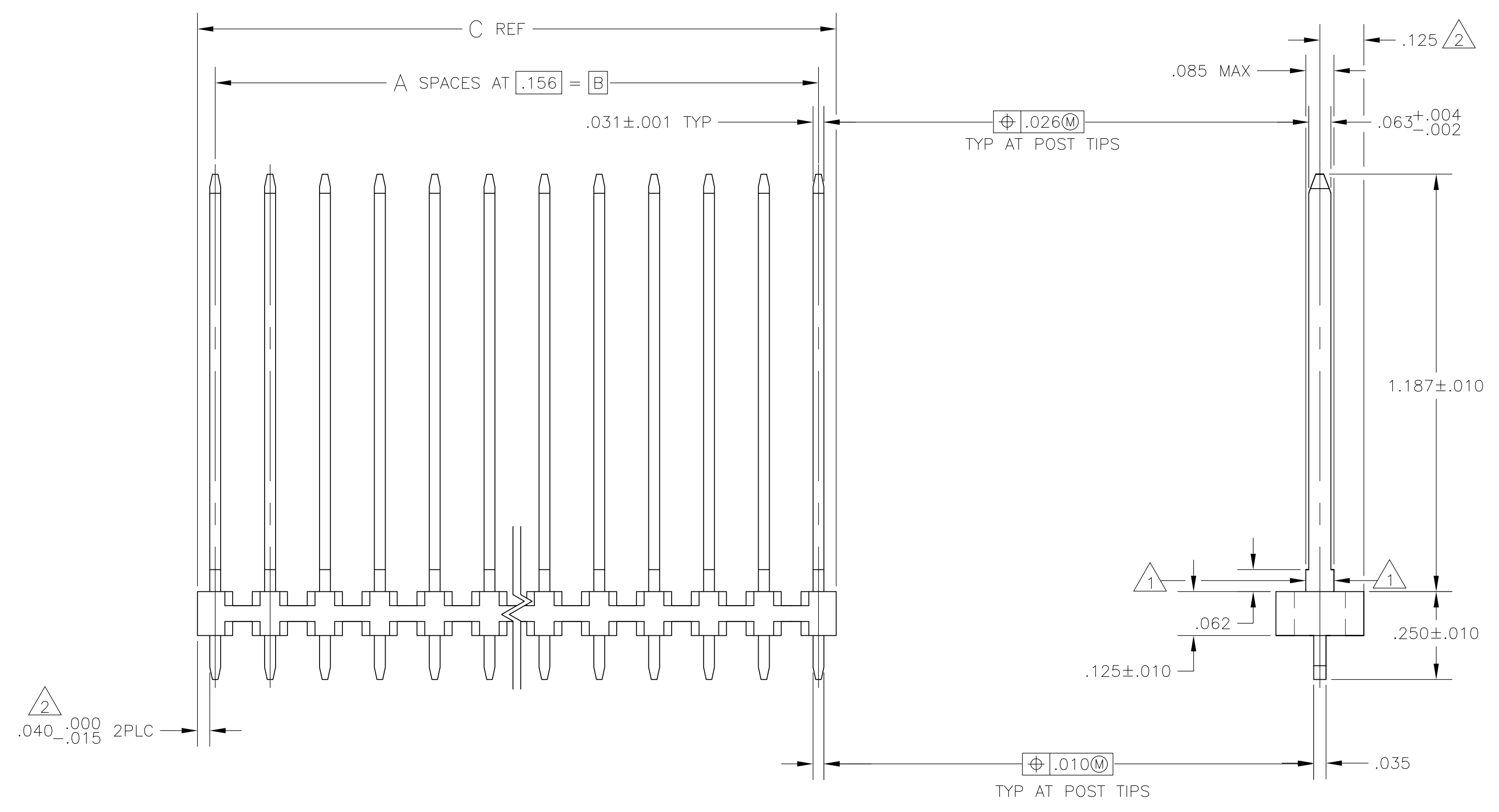


| LOC | | DIST | | REVISIONS | | | |
|-----|-----|---------------------------|---------|-----------|------|--|--|
| P | LTR | DESCRIPTION | DATE | DMN | APVD | | |
| K1 | | REVISED PER ECO-08-017295 | 06NOV08 | HMR | NE | | |
| K2 | | REVISED PER ECO-09-020932 | 24AUG09 | KK | AEG | | |



- 1 THESE SURFACES WILL NOT BE PLATED
- 2 THE NOTED DIMENSIONS APPLY AT THE INTERSECTION OF THE POST AND THE HOUSING
- 3 FINISH: POSTS: .000100 - .000200 TIN LEAD OVER .000030 MIN NICKEL
- 4 FINISH: POSTS: .000100 - .000200 MATTE TIN OVER .000030 MIN NICKEL
- 5 OBSOLETE PARTS: OBSOLETE CIS STREAMLINING PER D.RENAUD/D.SINISI



KEYWAY LOCATIONS (REF-SEE TABLE)
 (MATING LENGTH OF POST ON NEAR SIDE)
 SCALE: 2:1

| | | | | | | | | |
|----------|---|------------------|--------------|-------|-------|----|------------|----------------------|
| | 4 | A,C | 2 | .579 | .468 | 3 | 4 | 5-86207-9 |
| | 4 | A,D | 2 | .735 | .624 | 4 | 5 | 5-86207-3 |
| | 4 | A | 1 | .423 | .312 | 2 | 3 | 5-86207-2 |
| OBSOLETE | | A,C,E | 3 | 1.047 | .936 | 6 | 7 | 1-87207-0 |
| | 3 | A,C | 2 | .579 | .468 | 3 | 4 | 87207-9 |
| OBSOLETE | | A | 1 | .267 | .156 | 1 | 2 | 87207-8 |
| OBSOLETE | | NONE | 0 | 5.415 | 5.304 | 34 | 35 | 87207-7 |
| OBSOLETE | | A,D,G | 3 | 1.359 | 1.248 | 8 | 9 | 87207-6 |
| OBSOLETE | | A,C,E,G | 4 | 1.203 | 1.092 | 7 | 8 | 86207-5 |
| OBSOLETE | | A,C,E | 3 | .891 | .780 | 5 | 6 | 87207-4 |
| OBSOLETE | 3 | A,D | 2 | .735 | .624 | 4 | 5 | 86207-3 |
| OBSOLETE | 3 | A | 1 | .423 | .312 | 2 | 3 | 86207-2 |
| OBSOLETE | | A,C,E,G,J | 5 | 1.515 | 1.404 | 9 | 10 | 86207-1 |
| FINISH | | KEYWAY LOCATIONS | NO OF KEYWAY | C | B | A | NO OF POSN | ASSEMBLY PART NUMBER |

THIS DRAWING IS A CONTROLLED DOCUMENT.

DIN H. MOLL 11MAR88
 CHK F. TREECE 23MAR88
 APVD F. TREECE 23MAR88

Tyco Electronics Corporation
 Harrisburg, PA 17105-3608

PRODUCT SPEC: 108-25016
 APPLICATION SPEC: 108-25016

SIZE: A1
 WEIGHT: --
 CUSTOMER DRAWING

SCALE: 4:1
 SHEET: 1 OF 1
 REV: K2