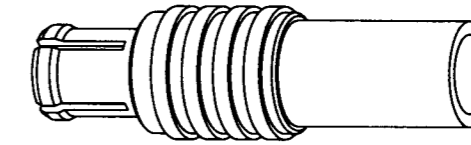


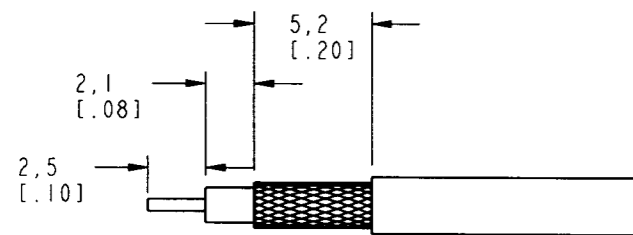
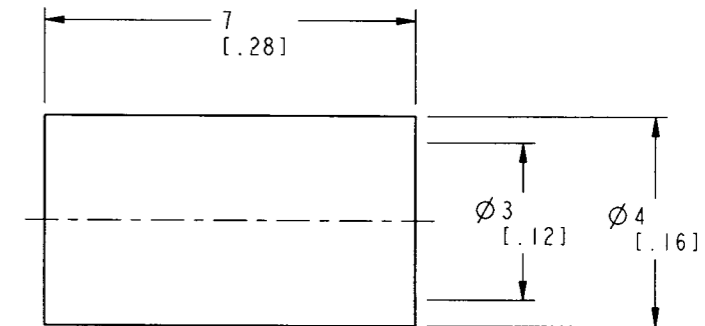
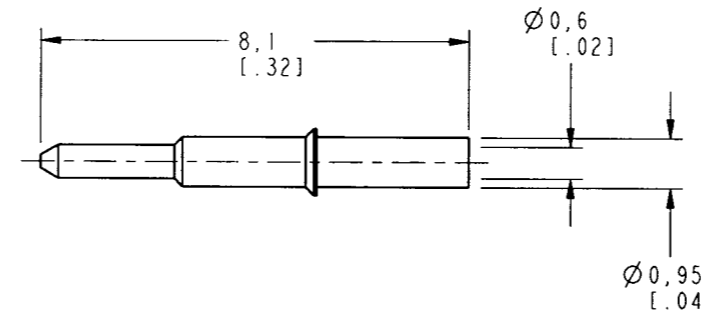
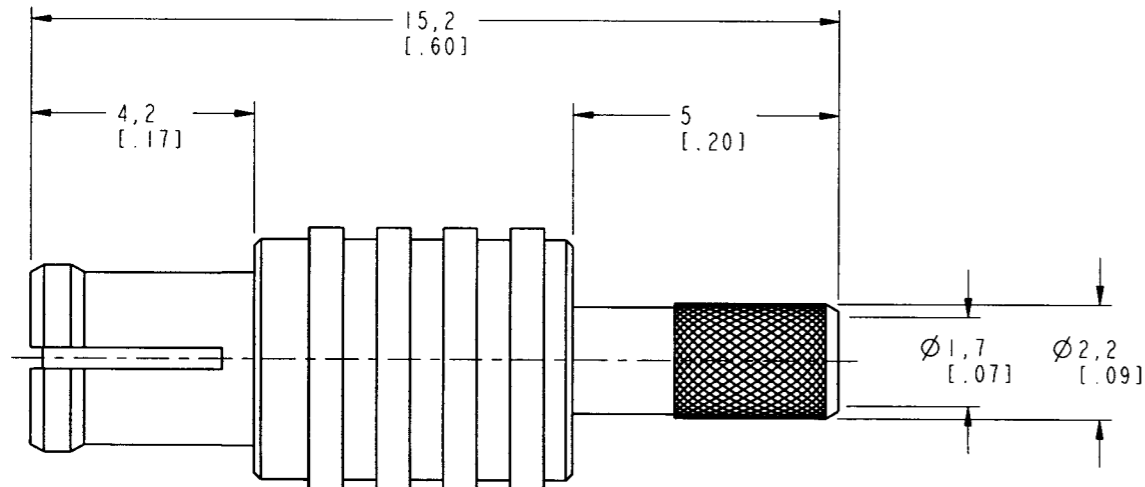
NOTES:

- MATERIALS OF CONSTRUCTION:
HOUSING = BRASS (Q0-B-626), NICKEL PLATED
BODY = BERYLLIUM COPPER, NICKEL PLATED
CONTACT PIN = BRASS (Q0-B-626), GOLD PLATED
FERRULE = COPPER, NICKEL PLATED
INSULATORS = PTFE PER MIL-P-19468
- DO NOT SCALE THIS DRAWING.
- UNLESS OTHERWISE SPECIFIED, ALL DIMENSIONS ARE AFTER PLATING.
- MECHANICAL SPECIFICATIONS:
MATING CYCLES: MINIMUM 500
- ELECTRICAL SPECIFICATIONS:
IMPEDANCE: 50 OHMS
VOLTAGE RATING: 335 VOLTS RMS PEAK
VSWR: 1.3 MAX DC TO 6GHz
INSERTION LOSS: 0.10 dB @ 1GHz MAX.

919-10IP-51S1X		REVISIONS			
DRAWING NO.	REV	DESCRIPTION	DATE	ECO	APPR
THIRD ANGLE PROJ.	A	RELEASE TO MFG.	7/29/99	43080	CPM
	B	REDRAWN TO PRO-E; ADDED MECHANICAL AND ELECTRICAL SPEC.	2/10/00	43235	CPM



SCALE 3.500



RECOMMENDED CABLE STRIPPING DIM'S.
SCALE 3.000

CUSTOMER OUTLINE DRAWING
FOR REFERENCE ONLY

UNLESS OTHERWISE SPECIFIED, DIMENSIONS ARE IN INCHES AND TOLERANCES ARE: 0.5 - 6mm ±0.2mm 6 - 30mm ±0.4mm 30 - 120mm ±0.6mm	MATERIAL	DRAWN C. McGRATH	DATE 14-Jan-00	TITLE MCX CRIMP PLUG FOR RG-174/U, 188A/U, AND RG 316/U	Amphenol Amphenol Corporation Communication and Network Products Division Danbury, CT U.S.A. 06810
	REFERENCE	ENGINEER T. AUBIN	DATE 14-Jan-00		
NOTICE - These drawings, specifications, or other data (1) are, and remain the property of Amphenol Corp. (2) must be returned upon request; and (3) are confidential and not to be disclosed to any person other than those to whom they are given by Amphenol Corp. The furnishing of these drawings, specifications, or other data by Amphenol Corp., or to any other person to anyone for any purpose is not to be regarded by implication or otherwise in any manner licensing, granting rights or permitting such holder or any other person to manufacture, use or sell any product, process or design, patented or otherwise, that may in any way be related to or disclosed by said drawings, specifications, or other data.		APPROVED 	DATE 2/9/00	SCALE: 7.0:1	SHEET 2 OF 2
		CAD FILE I:\MCX\919-10IP-51S1X	CODE ID 74868	DWG SIZE B	DRAWING NO. 919-10IP-51S1X