

PRODUCT NUMBER

98417-XXX-XX-XXXLF

PLATING

G = 0.76µm GOLD/GXT ON CONTACT AREA  
2.0µm MATTE TIN ON TAILS.

S = 0.38µm GOLD/GXT ON CONTACT AREA  
2.0µm MATTE TIN ON TAILS.

T = 2.0-6.0µm FULL MATTE TIN

STYLE	SOLDER TAIL
51	2.00
61	2.50

LEAD FREE  
RoHS COMPATIBLE, NOTE 8

POLARIZATION (SEE NOTE 7)

PACKAGING OPTION, NOTE 5.

TOTAL NB OF POSITIONS, 06 TO 50.

1.27µm Ni MIN UNDERLAYER

NOTES:

- MATERIAL HOUSING: HIGH TEMP. THERMOPLASTIC LCP UL 94V-0, COLOR CREAM, MEETS GWT 850°C-960°C.
- MATERIAL TERMINAL: COPPER ALLOY
- TO DETERMINE DIMENSIONS:  
N = NUMBER OF POSITIONS PER ROW
- 7N MIN. PIN RETENTION IN EITHER DIRECTION.

5. PACKAGING:

- = PLASTIC BOX
- = PLASTIC BOX WHEN POLARISATION FEATURE APPLICABLE
- U = TUBE PACKAGING AVAILABLE FROM 06 TO 50 POS
- K = TAPE & REEL PACKAGING WITHOUT PICK UP CAP, AS AVAILABLE
- UV = TUBE WITHOUT PICK UP CAP FOR VALEO
- KV = TAPE & REEL WITHOUT PICK UP CAP FOR VALEO

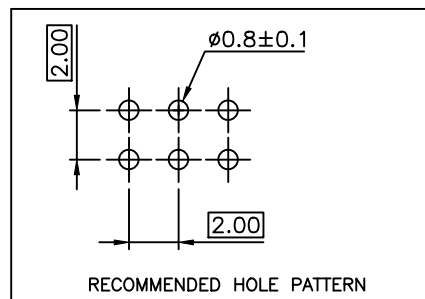
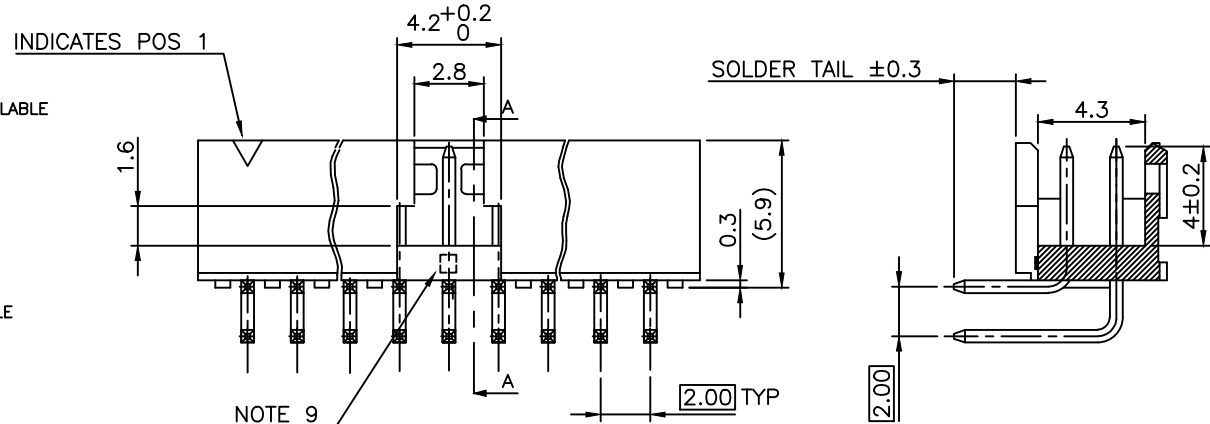
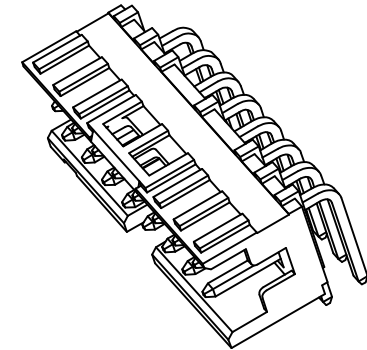
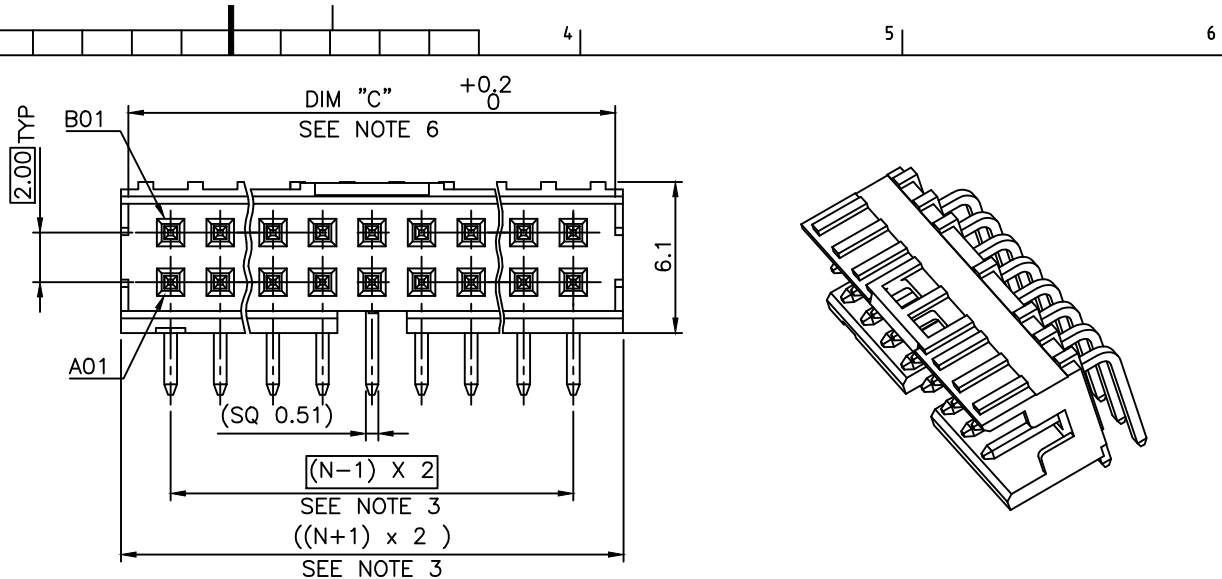
6. DIM "C" = (N x 2) + 1.4  
EXAMPLE : N = 7  
DIM "C" = (7 x 2) + 1.4 = 15.4 mm

7. FOR POLARIZATION, SPECIFIED PIN  
EXAMPLE: A03= ROW A, POSITION 03 TO OMIT PIN  
OMIT FROM PRODUCT NUMBER IF THIS FEATURE IS NOT APPLICABLE

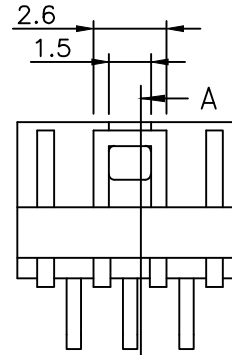
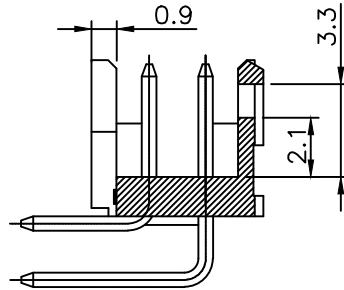
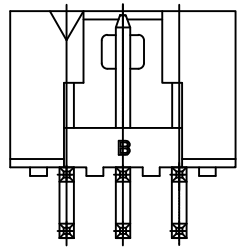
8. RoHS COMPATIBLE PRODUCT SPECIFICATIONS

- a - PLATING:
  - "LF" MEANS THE PRODUCT IS LEAD-FREE, 2µm MINIMUM MATTE TIN OVER 1.27µm MINIMUM NICKEL UNDERPLATE.
- b - MANUFACTURING PROCESS COMPATIBILITY
  - THE HOUSING WILL WITHSTAND EXPOSURE TO 260°C ±5°C SOLDER BATH TEMPERATURE FOR 5 SECONDS IN A WAVE SOLDER APPLICATION WITH A 1.6mm MIN THICK CIRCUIT BOARD.
  - COMPATIBLE 260°C REFLOW PROCESS
- c - LABELLING:
  - MEETS PACKAGING SPECS AS PER GS-14-920
- d - THIS PRODUCT MEETS EUROPEAN DIRECTIVES AND OTHER COUNTRY REGULATIONS AS DISCRIBED IN GS-47-0004

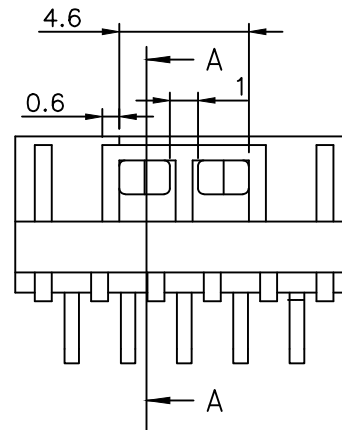
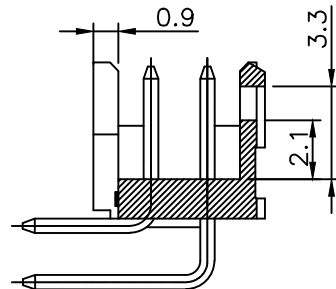
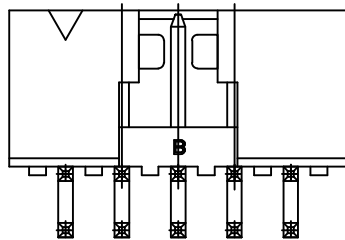
9. LOCATION OF CAVITIES MOULD IDENTIFICATION



mat'l. code		surface		tolerance		projection		product family	
SEE NOTES		ISO 1302		ISO 406		ISO 1101		MINITEK	
ltr	ecn no	dr	date	tolerances unless otherwise specified					
H	F-23051	AMA	16.01.15	angles	X.X ±0.3		mm		title
				linear	X.XX ±0.13				SHR HEADER
C	B-19157	LMU	14.10.22		X.XXX ±0.05		scale 1:1		2.00 RA REVERSED
D	B-19190	LMU	14.10.24	dr	L.MULIN	07.11.26			dwg no
E	B-20201	BVE	15.02.05	engr	J.COMPAGNON	07.11.26			sheet 1 of 2
F	B-20254	LMU	15.02.16	chr					98417
G	F-21929	AMA	15.09.15	appd	JM.C	08.02.14			A3
sheet	revision	H	A						
index	sheet	1	2						



LATCHING FEATURES FOR 2x3 POS AND 2x4 POS  
NO LATCHING AVAILABLE FOR 2x2 POS



LATCHING FEATURES FOR 2x5 POS UP TO 2x25 POS



Copyright FCI

mat'l. code		surface		tolerance		projection		product family	
SEE NOTES		ISO 1302 ✓		ISO 406 ISO		101		MINITEK	
ltr	ecn no	dr	date	tolerances unless otherwise specified					
A	B-18376	JCO	14.07.23	angles	linear	X.X ±0.3	mm		title
						X.XX ±0.13	scale 1:1		SHR HEADER
						X.XXX ±0.05			2.00 RA REVERSED
		dr	L.MULIN	14.07.21			dwg no		sheet 2 of 2
		enr	J.COMPAGNON	14.07.21			98417		A3
		chr					type		CUSTOMER Drawing
		appd	JCO	14.07.23					
sheet	revision								
index	sheet								