

φ172mm

San Ace 172



General Specifications

- Material Frame: Aluminum, Impeller: Plastics (Flammability: UL94V-1)
- Expected Life Refer to specifications (L10:Survival rate:90% at 60°C , rated voltage, and continuously run in a free air state)
- Lead Wire ⊕red ⊖black (Sensor) yellow (Control) brown
- Storage Temperature -30°C to +70°C (Non-condensing)

φ172mm × 150mm × 51mm (Mass : 760g)

9SG type Sidecut type



Specifications

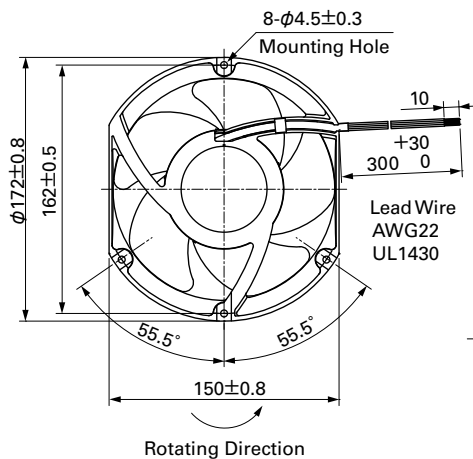
The following nos. **have PWM controls and pulse sensors.**

Model No.	Rated Voltage [V]	Operating Voltage Range [V]	PWM duty cycle [*] [%]	Rated Current [A]	Rated Input [W]	Rated Speed [min ⁻¹]	Max. Airflow [m ³ /min] [CFM]	Max. Static Pressure [Pa] [inchH ₂ O]	SPL [dB(A)]	Operating Temperature [°C]	Expected Life [h]
9SG5724P5H61	24	20.4 to 27.6	100	2.8	67.2	6,500	11.6 410	540 2.16	71	-20 to +70	40,000/60°C
			0	0.18	4.32	1,300	2.32 81.9	30 0.12	28		
9SG5748P5G01	48	36 to 72	100	2.91	140	8,600	15.46 546	1,000 4.02	78	-20 to +60	
			0	0.21	10.1	2,000	3.59 127	75.1 0.30	40		
9SG5748P5H01	48	36 to 72	100	1.62	78	6,500	11.60 410	770 3.09	71	-20 to +60	
			0	0.21	10.1	2,000	3.59 127	75.1 0.30	40		

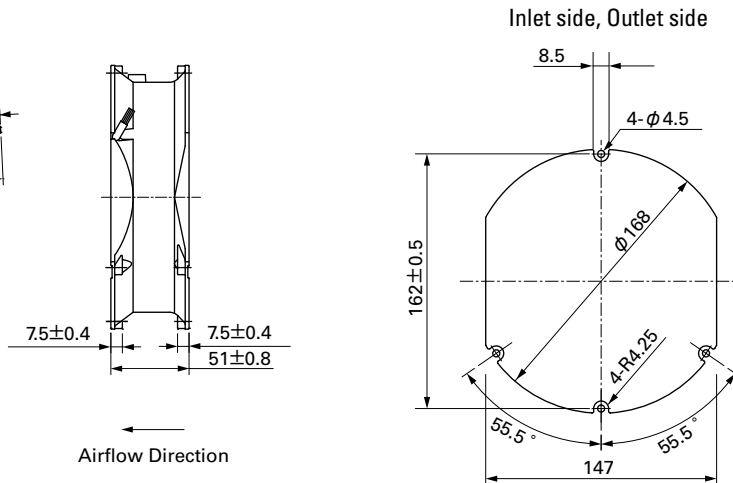
※PWM Frequency : 25kHz

Other sensor specifications are available as options. Please refer to the index (p. 510).

Dimensions (unit: mm)



Reference Dimensions of Mounting Holes and Vent Opening (unit: mm)

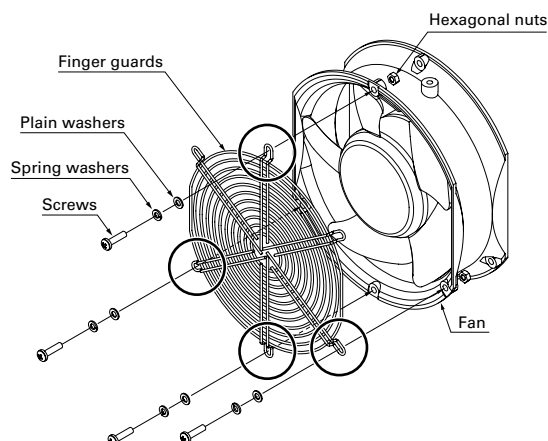
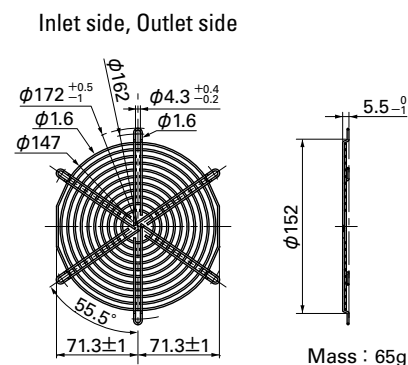


Options (unit: mm)

Finger Guards

Model : 109-319J Color Surface treatment : Nickel-chrome plating (silver)

Finger guard 109-319J should be mounted with four holes as in the drawing.



Options (unit: mm)

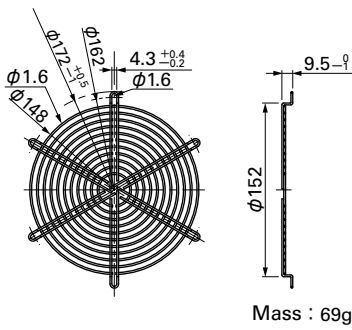
Finger Guards

Model : 109-319E Surface treatment : Nickel-chrome plating (silver)
 : 109-319H : Cation electropainting (black)

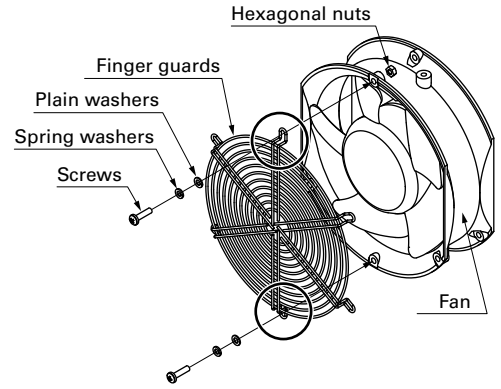
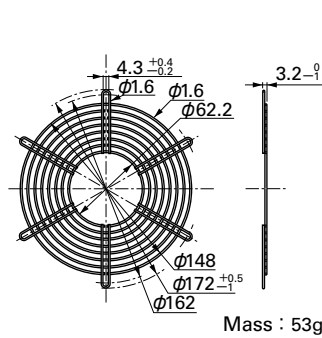
Model : 109-320 Surface treatment : Nickel-chrome plating (silver)

Finger guards 109-319E, 109-319H, and 109-320 should be mounted with two holes as in the drawing and do not use any other holes.

Inlet side, Outlet side

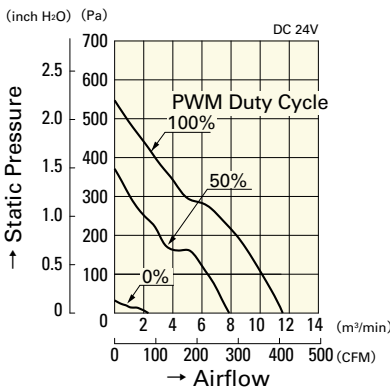


Outlet side

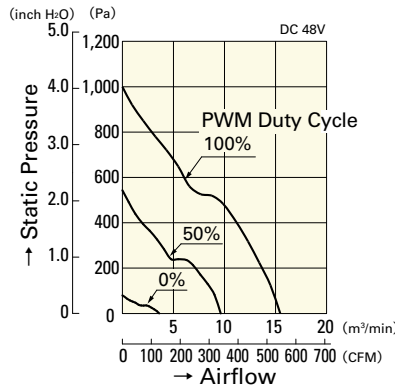


Airflow - Static Pressure Characteristics

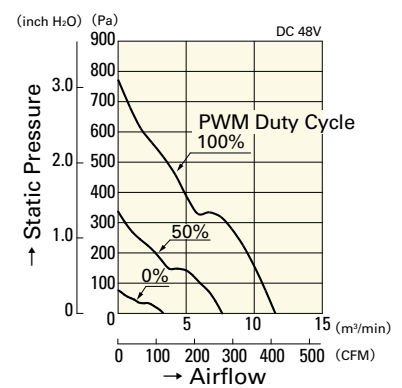
PWM Duty Cycle



9SG5724P5H61

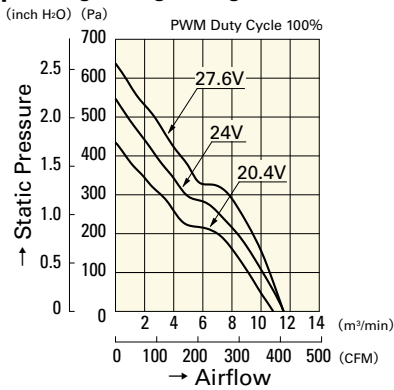


9SG5748P5G01

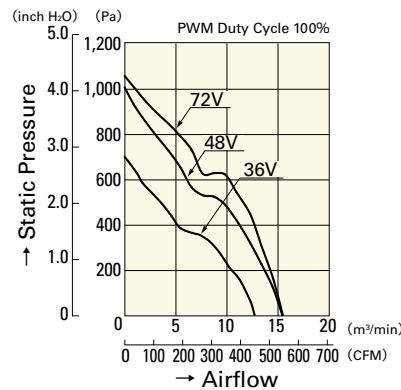


9SG5748P5H01

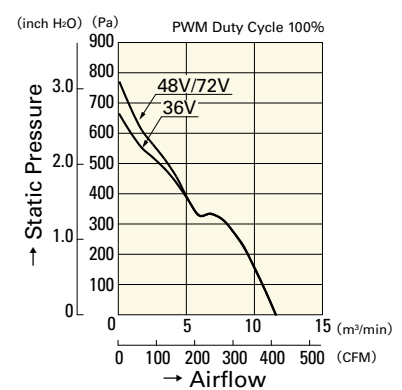
Operating Voltage Range



9SG5724P5H61

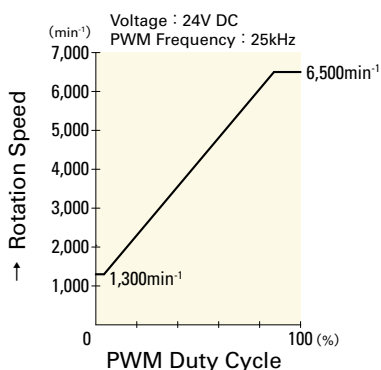


9SG5748P5G01

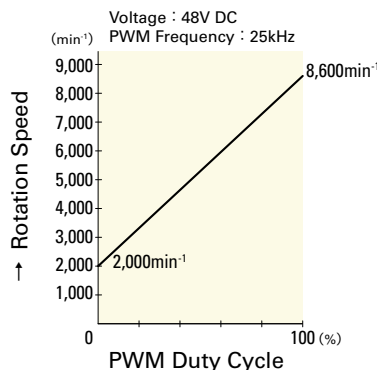


9SG5748P5H01

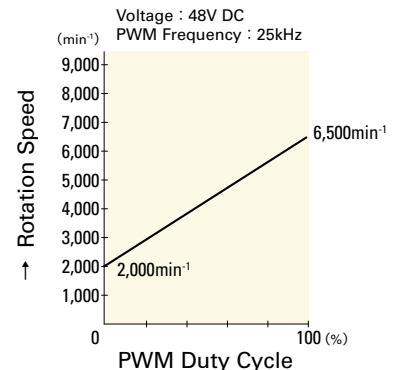
PWM Duty - Speed Characteristics Example



9SG5724P5H61



9SG5748P5G01



9SG5748P5H01