

**60**mm sq.

# San Ace 60WF



## General Specifications

- Material ..... Frame: Plastics (Flammability: UL94V-0),  
Impeller: Plastics (Flammability: UL94V-0)
- Expected Life ..... Refer to specifications (L10:Survival rate: 90% at 60°C ,  
rated voltage, and continuously run in a free air state)
- Lead Wire ..... ⊕red ⊖black (Sensor) yellow
- Storage Temperature ..... -30°C to +70°C (Non-condensing)

The product can be used in an oil mist environment\*

\*Environment where machining oil mist is scattered.  
Usage of this product requires an evaluation with the oil that will be used.

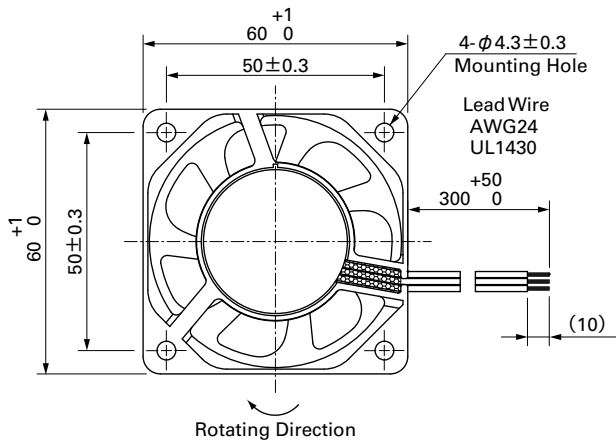
**60×60×25**mm (Mass : 110g) **9WF**type

## Specifications The following nos. have pulse sensors and ribs.

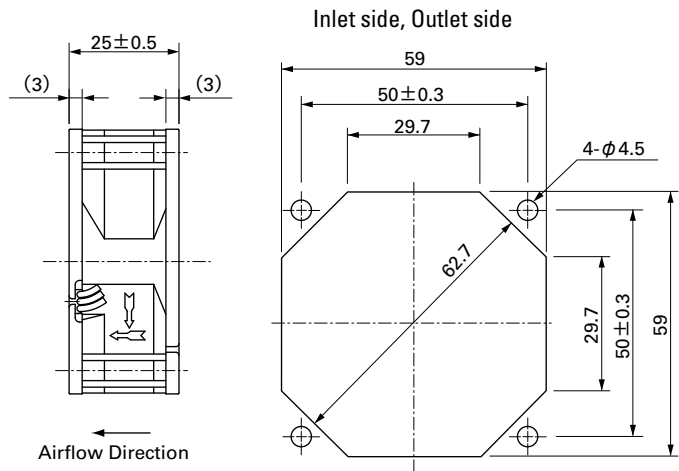
Model No.	Rated Voltage [V]	Operating Voltage Range [V]	Rated Current [A]	Rated Input [W]	Rated Speed [min <sup>-1</sup> ]	Max. Airflow [m <sup>3</sup> /min] [CFM]	Max. Static Pressure [Pa] [inchH <sub>2</sub> O]	SPL [dB(A)]	Operating Temperature [°C]	Expected Life [h]
<b>9WF0624H401</b>	24	20.4 to 27.6	0.15	3.6	6,500	0.67 23.6	97 0.38	41	- 20 to + 70	40,000/60°C

Other sensor specifications are available as options. Please refer to the index (p. 511).

## Dimensions (unit: mm)



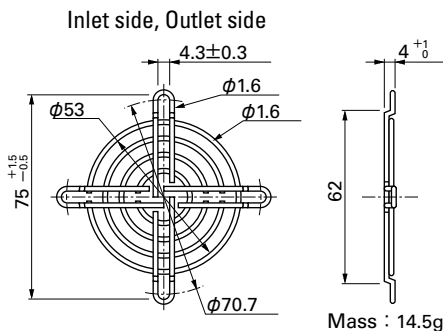
## Reference Dimensions of Mounting Holes and Vent Opening (unit: mm)



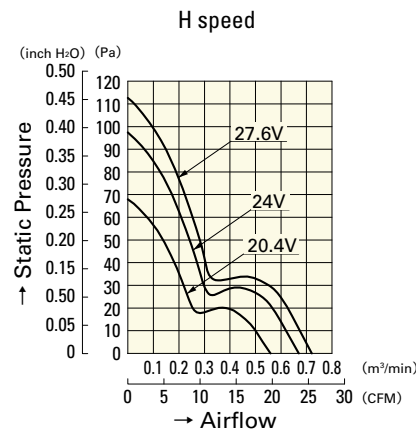
## Options (unit: mm)

### Finger Guards

Model : 109-139E Surface treatment : Nickel-chrome plating (silver)  
: 109-139H : Cation electropainting (black)



## Airflow - Static Pressure Characteristics



**9WF0624H401**