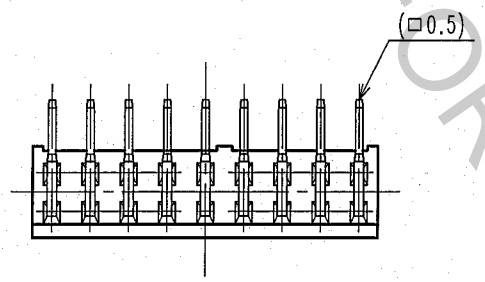
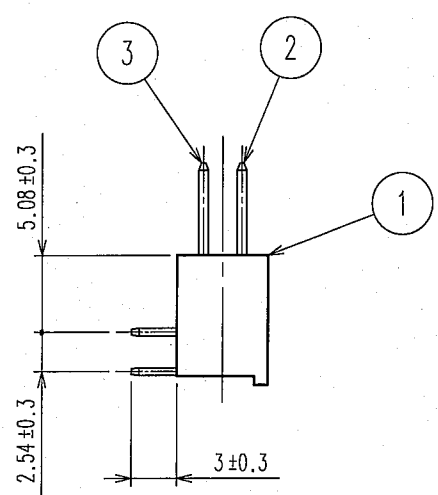
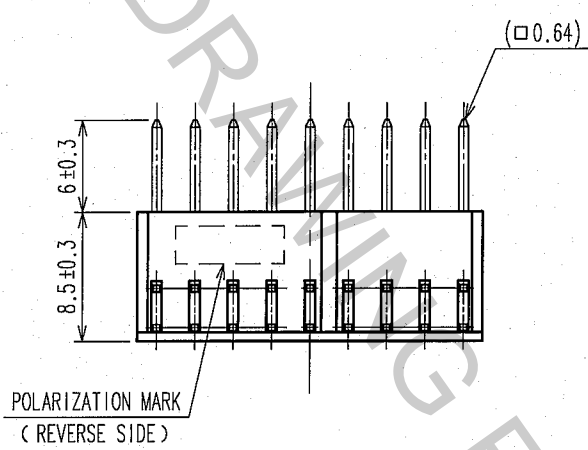
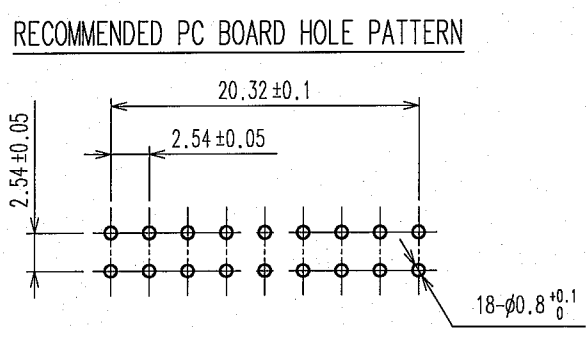
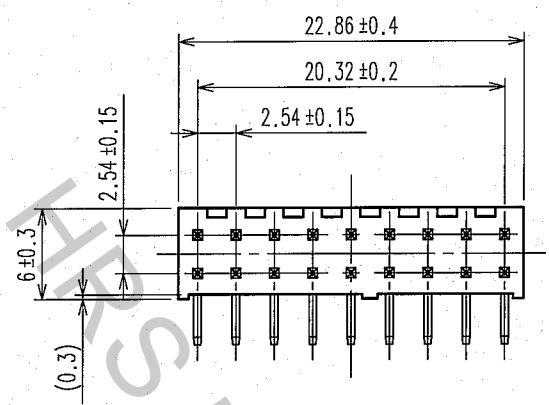


1	2	3	4						
COUNT	DESCRIPTION OF REVISIONS	BY	CHKD	DATE	COUNT	DESCRIPTION OF REVISIONS	BY	CHKD	DATE
△					△				
△					△				
△					△				



NOTE 1. THE DIMENSIONS IN PARENTHESES ARE FOR REFERENCE.

1	PBT	BLACK UL94V-0	2, 3	BRASS	CONTACT AREA : GOLD 0.2μ m min. DIP AREA : TIN-PLATING 2μ m min. UNDER PLATING : NICKEL 2.5μ m min.	
NO.	MATERIAL	FINISH, REMARKS	NO.	MATERIAL	FINISH, REMARKS	
CODE NO. (OLD) CL		DRAWN K. NAKAMURA 07.02.01	DESIGNED K. NAKAMURA 07.02.01	CHECKED <i>Y. Ogawa</i> 07.02.01	APPROVED <i>H. Okawa</i> 07.02.01	RELEASED
DRAWING NO. EDC4-018185-21		PART NO. A1-18PA-2.54DS(71)			CODE NO. CL619-0006-0-71	1/1
SCALE 2 : 1		UNITS mm			HRS HIROSE ELECTRIC CO., LTD.	

TO