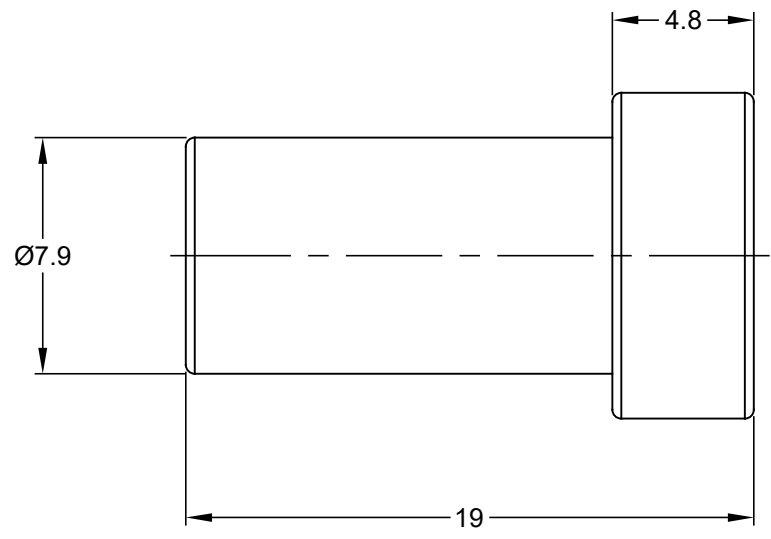
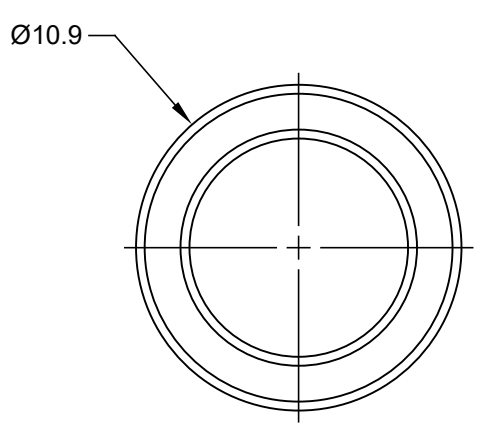



REVISIONS					
REV	ECO	DESCRIPTION	DATE	BY	APPR
01	-	PRELIMINARY DRAWING	18SEP17	SULLEN	TOMMY



NOTES: UNLESS OTHERWISE SPECIFIED

1. MATERIAL: SILICONE RUBBER; RoHS COMPLIANT
2. COLOR: RED
3. CONTACT SIZE: 4
4. ALL DIMENSIONS ARE FOR REFERENCE USE ONLY.

A114019					
PART NUMBER		DESCRIPTION			ITEM
QUANTITY	MATERIALS LIST				
<small>UNLESS OTHERWISE SPECIFIED</small> 1) All dimensions are in metric (mm). 2) Tolerances are as follows: 1 PL DEC ±0.30 2 PL DEC ±0.15 3 PL DEC ±0.08 Fractions ±1/64 Angles ±1° 3) Note reference = 		<small>SIGNATURES</small> DRAWN: SULLEN.ZHANG CHECKED: ORION.LI ENGINEER: APPROVAL: TOMMY.XIE		<small>DATE</small> 18SEP17 18SEP17 18SEP17	
<small>MATERIAL SPECIFICATIONS:</small> <small>PROCESS SPECIFICATIONS:</small> <small>NEXT ASSY:</small>		<small>CUSTOMER:</small> <small>THIS DRAWING IS SUPPLIED FOR INFORMATION ONLY. DESIGN FEATURES, SPECIFICATIONS AND PERFORMANCE DATA SHOWN HEREON ARE THE PROPERTY OF THE AMPHENOL CORPORATION. NO RIGHTS OF REPRODUCTION ARE IMPLIED. ALL DIMENSIONS ARE SUBJECT TO NORMAL MANUFACTURING VARIATIONS.</small>		<div style="text-align: center;"> <h1>Amphenol</h1> <p>Sine Systems - www.amphenol-sine.com 44724 Morley Drive Clinton Township, MI 48036</p> </div>	
		SEAL, PLUG, CONTACT SIZE 4			
		<small>SIZE</small> A	<small>TYPE</small> C-	<small>DWG NO:</small> A114019	<small>REVISION</small> 01
		<small>SCALE:</small> NONE		<small>SHEET</small> 1 <small>OF</small> 1	