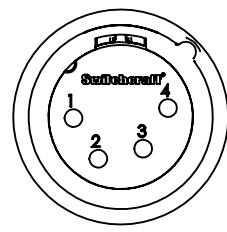
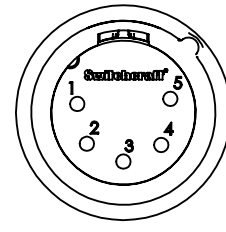


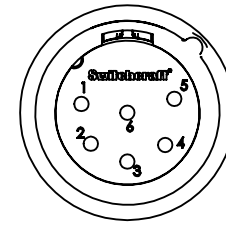
3 PIN



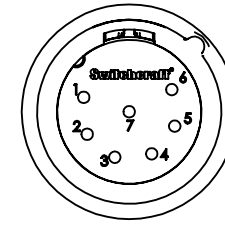
4 PIN



5 PIN



6 PIN



7 PIN

CONTACT PINS AS VIEWED FACING MALE CONNECTOR

SERIES: AAA M Z
Q-G° CONNECTOR

OF CONTACT PINS: 3, 4, 5, 6, OR 7

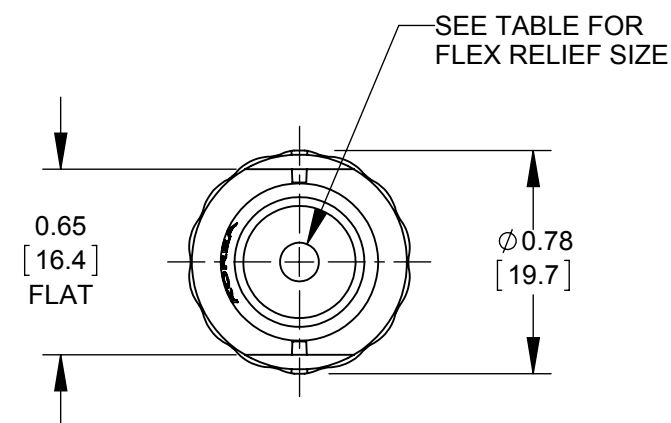
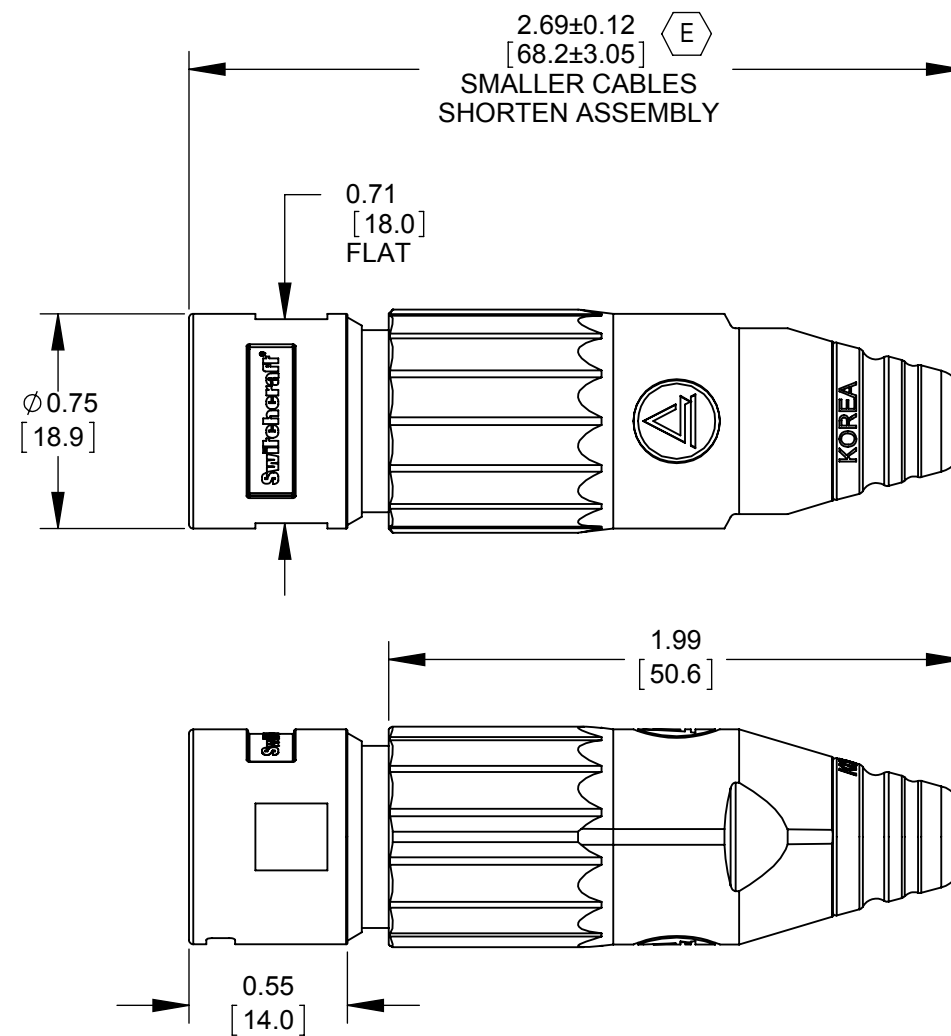
GENDER: MALE

HANDLE STYLE: BLANK - METAL HANDLE (SEE FINISH BELOW)
P - PLASTIC HANDLE, BLACK

FINISH: BLANK - NICKEL HANDLE & CONNECTOR, WITH BLACK FLEX RELIEF & GREEN INSERT
B - BLACK HANDLE & CONNECTOR, WITH BLACK FLEX RELIEF & BLACK INSERT
W - WHITE HANDLE & NICKEL FINISH CONNECTOR WITH WHITE FLEX RELIEF & GREEN INSERT (F)

CONTACT PIN PLATING: BLANK - SILVER
AU - GOLD

FLEX RELIEF STYLE: BLANK - FLEX RELIEF I.D. 0.135 [3.4mm]
 RECOMMENDED CABLE O.D. 0.100 - 0.220 [2.5mm - 5.6mm]
L - FLEX RELIEF I.D. 0.225 [5.7mm]
 RECOMMENDED CABLE O.D. 0.220 - 0.285 [5.6mm - 7.2mm] (E)



CUSTOMER DRAWING

- NOTES:
- CONNECTORS AND HANDLES ARE SHIPPED SIDE BY SIDE OR IN BULK.
 - MATERIALS:
 - (E) HANDLE METAL - ZINC ALLOY, NICKEL PLATED OR BLACK OR WHITE PAINTED.
 - HANDLE PLASTIC - THERMOPLASTIC, BLACK
 - CABLE CLAMP - THERMOPLASTIC, BLACK
 - FLEX RELIEF - THERMOPLASTIC, BLACK OR WHITE.
 - HOUSING - ZINC ALLOY, NICKEL PLATED OR BLACK SATIN CHROME PLATED
 - INSULATOR - THERMOPLASTIC, GREEN OR BLACK
 - GROUND TERMINAL - SPECIAL COPPER ALLOY
 - CONTACT PINS - COPPER ALLOY, SILVER PLATED OR GOLD PLATED
 - THESE PRODUCTS ARE RoHS COMPLIANT.

REV	ECO NUMBER	DATE	BY	APVD
F	27473	03/27/15	PC	TJK
E	27081	01/25/13	BL	TJK
D	25711	10-17-07	JGK	TJK
C	24940	3-11-05	JL	TJK
B	24552	10-13-03	JL	BRH
A	24446	8-12-03	JL	BRH
REVISIONS				

★ STAR SYMBOL DENOTES CRITICAL DIMENSION

UNLESS OTHERWISE SPECIFIED

- ALL DIMENSIONS IN INCHES
 - TWO PLACE DECIMALS ±0.01
 - THREE PLACE DECIMALS ±0.005
 - ANGLES ±1°
 - ALL DIA. CONCENTRIC WITHIN 0.005 T.I.R.
- FEATURES ON THE SAME CENTERLINE MUST BE ALIGNED WITHIN ±0.002
- REMOVE ALL BURRS

DO NOT SCALE DRAWING

THIS DRAWING DESCRIBES A DESIGN CONSIDERED PROPRIETARY IN NATURE, DEVELOPED AND MANUFACTURED BY SWITCHCRAFT INC. AND IS RELEASED ON A CONFIDENTIAL BASIS FOR IDENTIFICATION PURPOSES ONLY.									
SIZE	WIDTH	MULT	LBS/M	TEMPER					
FINISH SPEC No.			MATERIAL SPEC No.						
FIRST USED ON			SCALE 1.5:1						
DATE DRAWN	BY	CHKD	APVD	Switchcraft®					
03-10-03	BRH	BRH	BRH	SHEET 1 OF 1					
NAME			PART No.			REV			
MALE XLR CONNECTOR, RoHS			AAA_MZ SERIES			F			