

PART NAME	CLASSIC II CABINET	PART No.	AGC-9268 THRU AGC-9280	REV. DATE	5-31-12
-----------	--------------------	----------	------------------------	-----------	---------

MATERIAL:

CABINET FRAME & MOUNTING RAIL EXTRUSIONS _____ #6063-T5 ALUMINUM ALLOY
TOP, BOTTOM & SIDE PANELS _____ 0.050 THK. ALUMINUM
HANDLE CHANNELS & CHASSIS SUPPORTS _____ 16 GA. STEEL
HANDLES _____ MOLDED ABS

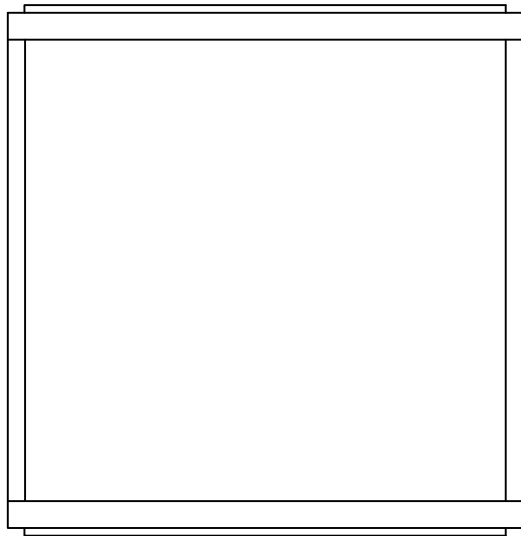
FINISH:

CABINET & HANDLE CHANNELS _____ ROYAL BLUE TEXTURE
OR GRAY TEXTURE
CHASSIS SUPPORTS _____ SMOOTH BLACK
HANDLES - BLACK

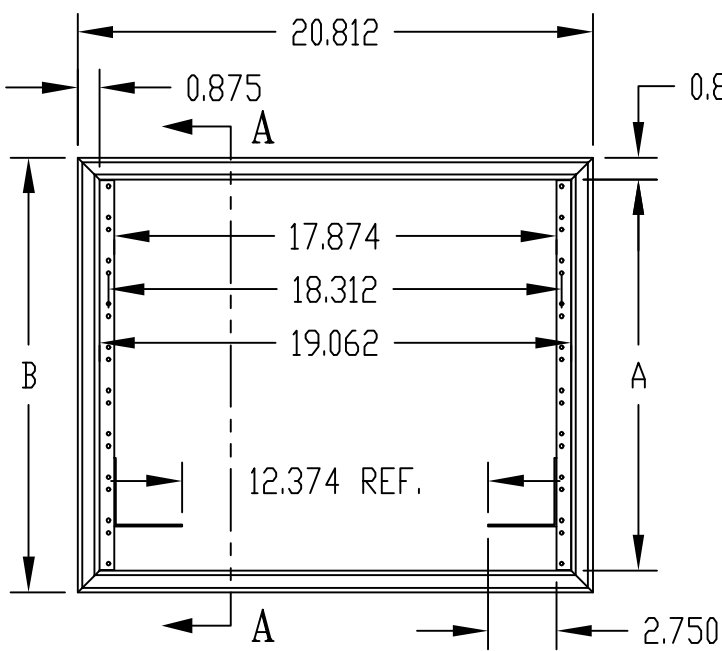
LEADING EDGES OF CABINET FRONT TO BE NATURAL

MOUNTING RAILS TAPPED #10-32 ON WESTERN ELECTRIC HOLE SPACING

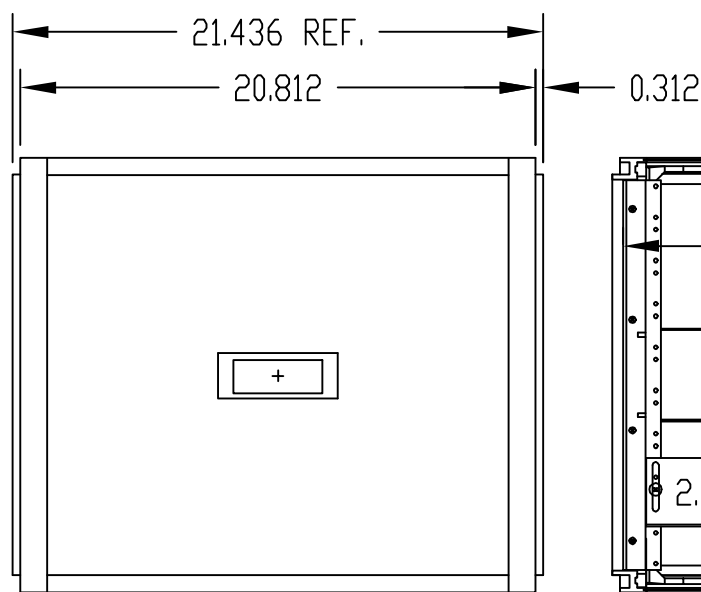
LOAD RATING: 500 LBS. MAX.



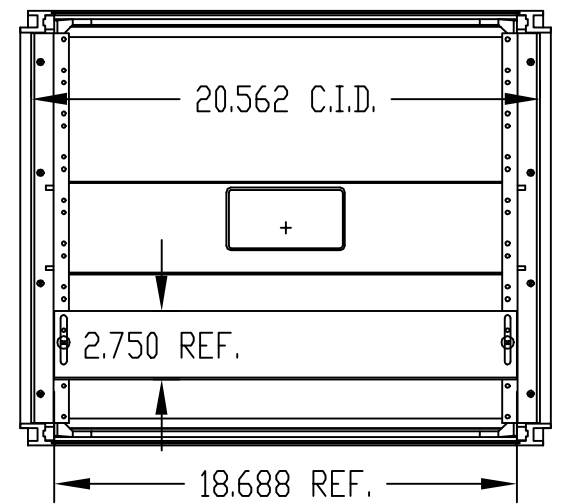
TOP VIEW



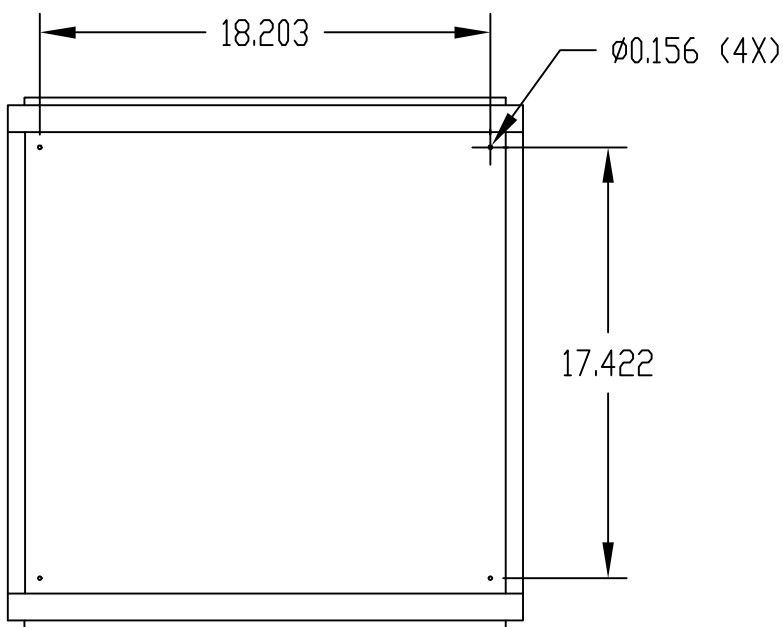
FRONT VIEW



RIGHT SIDE VIEW



SECTION "A-A"



BOTTOM VIEW

PART No.	A (PANEL SPACE)	B
AGC-9268	7.000	8.812
AGC-9269	8.750	10.562
AGC-9270	10.500	12.312
AGC-9271	12.250	14.062
AGC-9272	14.000	15.812
AGC-9273	15.750	17.562
AGC-9274	17.500	19.312
AGC-9275	19.250	21.062
AGC-9276	21.000	22.812
AGC-9277	22.750	24.562
AGC-9278	24.500	26.312
AGC-9279	26.250	28.062
AGC-9280	28.000	29.812