

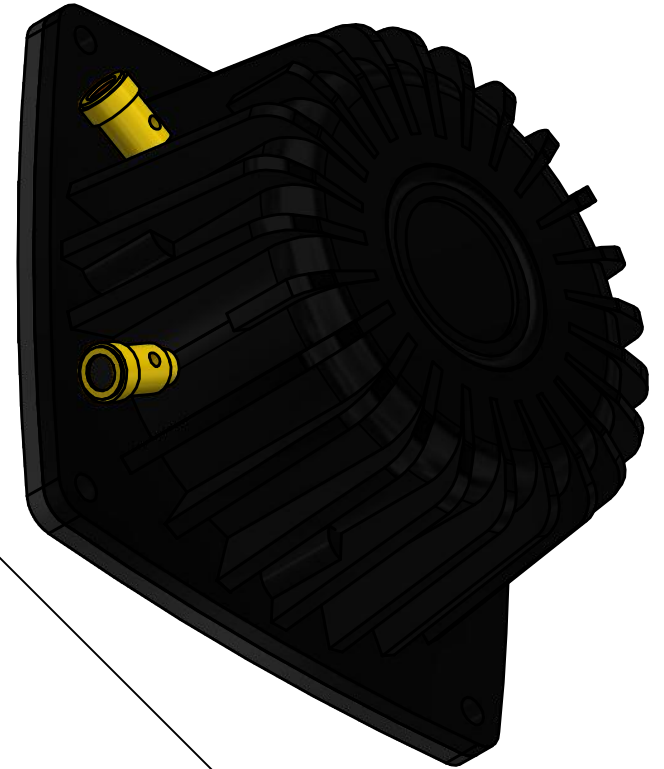
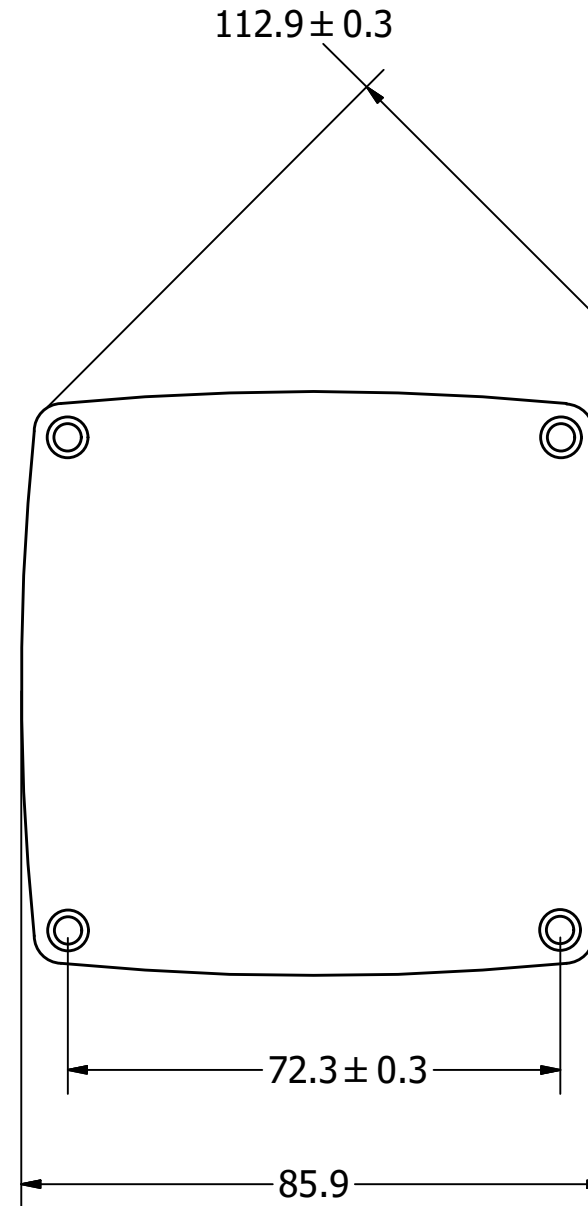
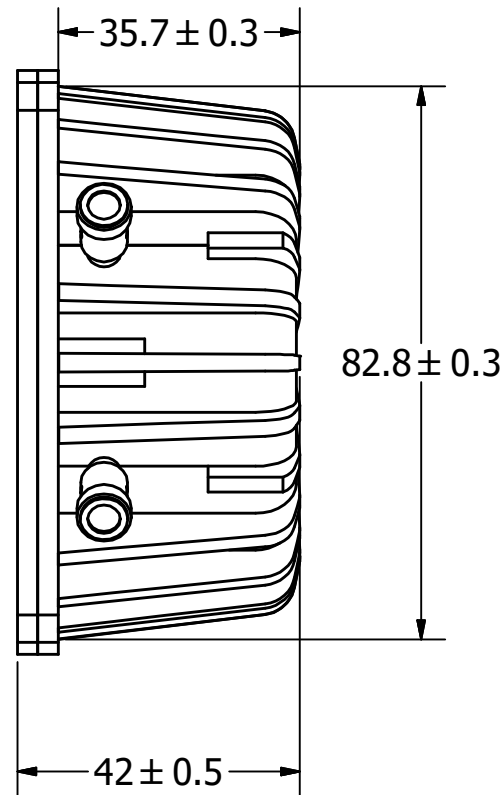
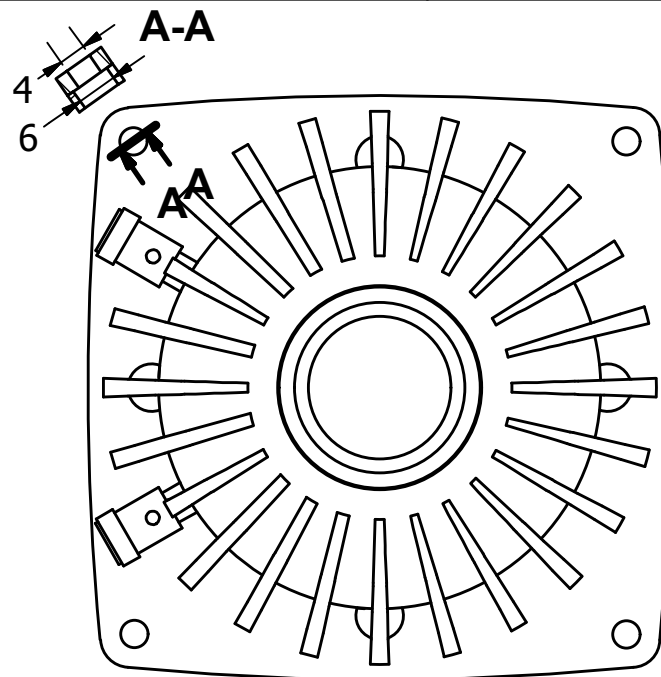
# SPECIFICATIONS

| PARAMETERS  | VALUES     | UNITS |
|---|------------|-------|
| RATED INPUT POWER   | 25         | W     |
| MAX INPUT POWER   | 50         | W     |
| IMPEDANCE   | 4± 15%     | OHM   |
| RESONANT FREQUENCY  | 35± 20%    | Hz    |
| AVG. SPL 2.83V/0.1M ON 4MM THICK PLA PANEL (AVG 20, 40, 80, AND 160 Hz) | 80         | dBA   |
| FREQUENCY RANGE   | 20~ 10,500 | Hz    |
| MAGNET MATERIAL   | NdFeB      | -     |
| OPERATING TEMPERATURE   | -20~ +60   | °C    |
| WEIGHT  | 176.8      | grams |

THIS DOCUMENT CONTAINS DATA PROPRIETARY TO PROJECTS UNLIMITED, INC. ANY USE OR REPRODUCTION, IN ANY FORM, WITHOUT PRIOR WRITTEN PERMISSION OF PROJECTS UNLIMITED, INC. IS PROHIBITED.  
©2003, Projects Unlimited Inc.

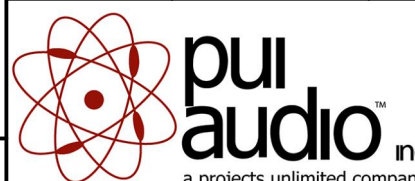
# REVISION HISTORY

| LTR | DESCRIPTION               | DATE    | APPROVED |
|-----|---------------------------|---------|----------|
| -   | RELEASED FROM ENGINEERING | 2/20/17 |          |



## NOTES:

1. ALL DIMENSIONS ARE IN MILLIMETERS.
2. SPECIFICATIONS SUBJECT TO CHANGE OR WITHDRAWL WITHOUT NOTICE.
3. THIS PART IS RoHS 2011/65/EU COMPLIANT.

|  |                   |   |           |                      |           |             |           |            |  |
|--|-------------------|---|-----------|----------------------|-----------|-------------|-----------|------------|--|
| UNLESS OTHERWISE SPECIFIED:<br>DIMENSIONS ARE IN MILLIMETERS,<br>TOLERANCES ARE ±0.5 AND ANGLES ARE ±3°. | SIZE<br><b>A3</b> | Designed by   | Date      | Checked by           | Date      | Approved by | Date      | Drawn Date |  |
|  |                   | M.V.  | 2/20/2017 | M.V.                 | 2/20/2017 | B.R.        | 2/20/2017 | 2/20/2017  |  |
| ASX08604-SW-R.idw  |                   |  |           | <b>ASX08604-SW-R</b> |           |             |           |            |  |
|  |                   | <b>Subwoofer Exciter</b>  |           |                      |           | Edition     |           | Sheet      |  |
|  |                   |   |           |                      |           | -           |           | 1 / 1      |  |