

MODEL NUMBER
ATT-0218-XX-NNN-02

NOTES:

1.0 SPECIFICATIONS:

1.1 FREQUENCY RANGE: DC to 12.4 GHz

1.2 ATTENUATION ACCURACY:

1-6dB: ±0.3dB

7-20dB: ±0.5dB

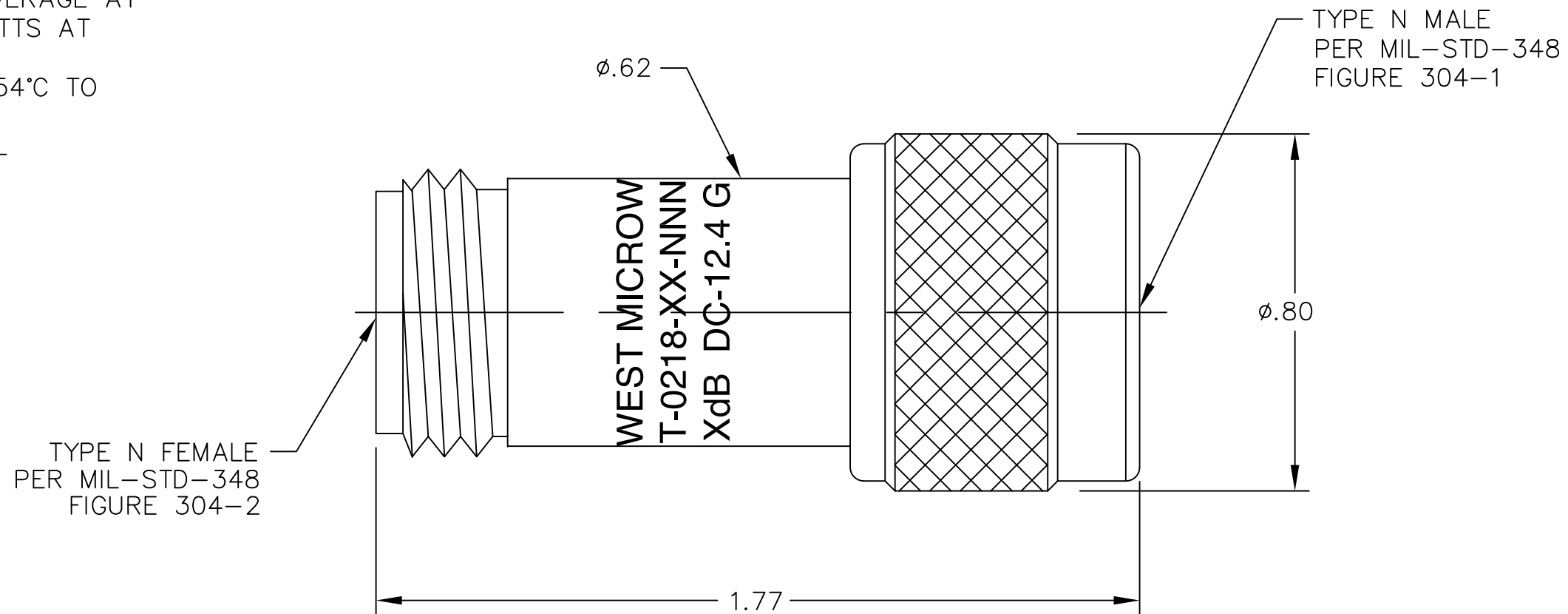
21-30dB: ±1.0dB

1.3 MAXIMUM VSWR: 1.07 +0.015f(GHz)

1.4 MAXIMUM INPUT POWER: 2 WATTS AVERAGE AT +40°C DERATED LINEARLY TO 0.5 WATTS AT +125°C


1.5 OPERATING TEMPERATURE RANGE: -54°C TO +125°C

1.6 FINISH: PASSIVATED STAINLESS STEEL



RoHS
2002/95/EC

REV.	DESCRIPTION	DATE
-	RELEASED	1/5/93
A	ECR 0348	6/21/79
B	ECR 2965	7/11/84
C	ECR 5722	11/20/87
D	ECR 6545	6/29/89
E	ECN 11287	7/3/92
F	REDRAW ON CAD	7/3/92
G	ECN 12349	1/29/93
G1	ADDED TITLEBLOCK	3/21/05
J	ECO 24790	6/20/13

<p>This PROPRIETARY Document is property of Cinch Connectivity Solutions. It is confidential in nature, non-transferable, and issued with the clear understanding that it is no traced or copied without permission and is returnable upon demand.</p> <p>INTERPRET DRAWING ACCORDANCE WITH ASME Y14.5-2009.</p> <p>UNLESS OTHERWISE NOTED DIMENSIONS ARE IN INCHES AND TOLERANCES ARE: 3 PLACE DECIMALS ±.005 2 PLACE DECIMALS ±.02 FRACTIONS ±1/64 PARALLELITY: T.I.R. _____ FLATNESS: T.I.R. _____ CONCENTRICITY: T.I.R. _____ ANGLES AND PERPENDICULARITY: ±1'</p>	<p>CAGE CODE 34078</p>		<p>MIDWEST MICROWAVE</p>	
			<p>TITLE ATTENUATOR 0 - 30 dB</p>	
<p>DRAWN/DATE C. WALLACE 8/21/13</p>	<p>ENG./DATE J. KEREKES 6/20/13</p>	<p>DRAWING NUMBER ATT-0218-XX-NNN-02-01</p>		<p>REV. J</p>
<p>CHECKED/DATE J. KEREKES 8/22/13</p>	<p>APPROVED/DATE J. KEREKES 8/22/13</p>	<p>SCALE: N/A</p>		<p>SHEET 1 of 1</p>