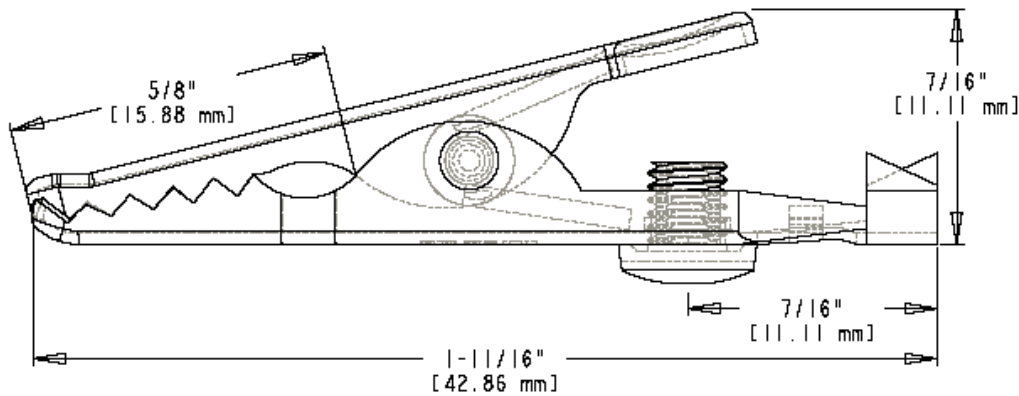
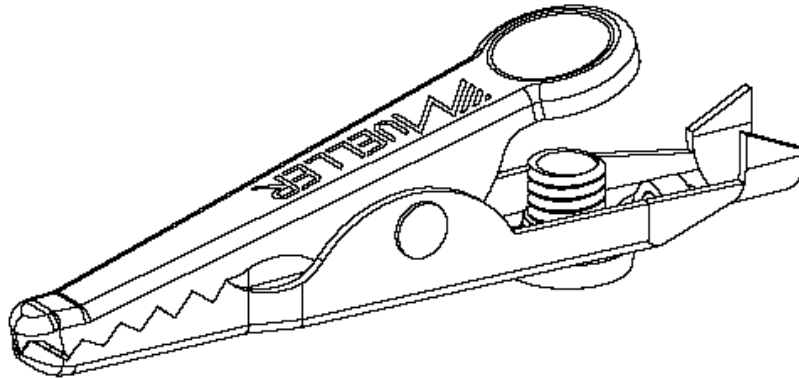




Part Number: BU-70S/BU-70CS
Description: Alligator Clip with Screw
3107



- Alligator Clip with Screw
- 6-40 screw or crimp connection
- Jaw opens 0.313" (7.9 mm) max
- Material: nickel-plated steel (BU-70S) or solid copper (BU-70CS)
- Length: 1.69" (42.86 mm)
- Federal Spec: AA59466-0017 (BU-70CS-*)
- Rating: 5 Amps (BU-70S) or 10 Amps (BU-70CS)
- RoHS Compliant