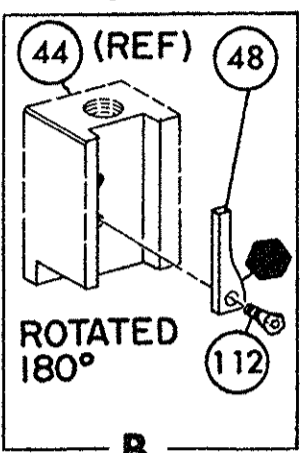
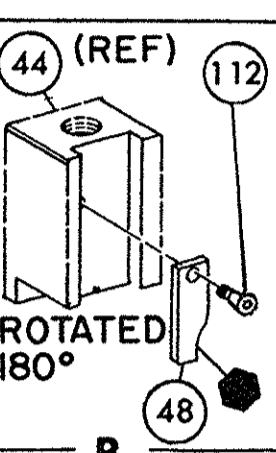


PRE-FEED  
1/8" STROKE



POST-FEED  
5/8" STROKE



NOTES:  
1- ONLY THE ITEMS WITH QUANTITIES SPECIFIED ON PARTS LIST ARE USED ON THIS APPLICATOR.

▲-USED IN PLACE OF ITEM 38 WHEN INSULATION CRIMP IS NOT USED.

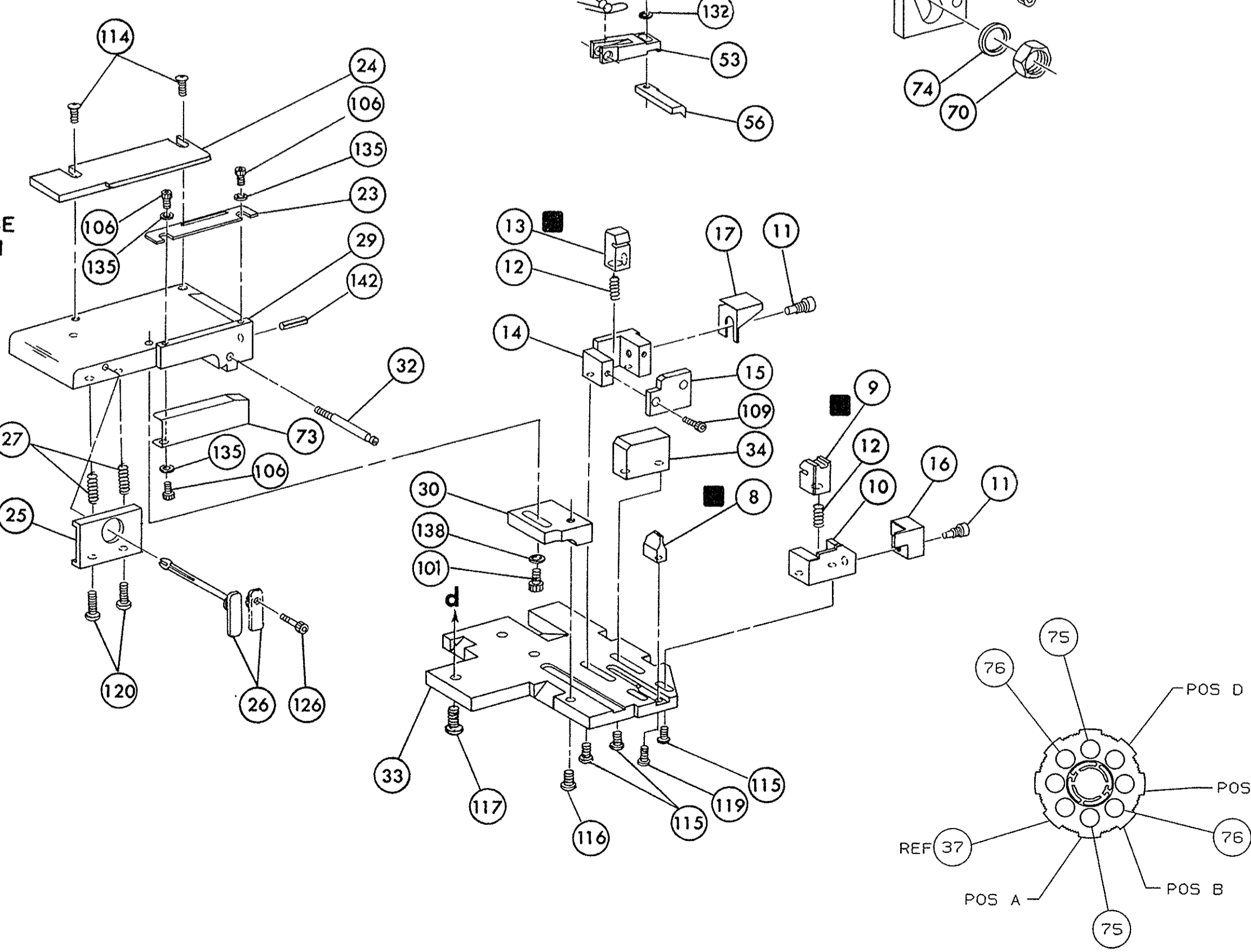
▲-GUARD MUST BE IN PLACE WHEN OPERATING APPLICATOR IN AMP-O-LECTRIC PRESS.

KEY:  
■-RECOMMENDED SPARE PARTS

▲-LUBRICATE DAILY USING NO. 20 MACHINE OIL.

●-GREASE LIGHTLY

▲ ADJUST PIN TO SET LANCE TO DEPTH



\*Trademark of AMP Incorporated

QTY	PART NO	DESCRIPTION	ITEM NO	QTY	PART NO	DESCRIPTION	ITEM NO
2	21045-3	RING, RETAINING 'C' (.187 DIA) FEED FINGER PIN	145	1	454220-1	CAP, HOUSING	59
2	5-21028-1	PIN, SLOT SPR (.125 DIA X .50) ADJ ROD	143	1	454485-	HOUSING	58
1	4-21028-0	PIN, SLOT SPR (.093 DIA X .75) STR G PLATE	142	1	458537-1	PAWL, FEED	57
1	1-21030-1	PIN, DOWEL (.187 DIA X .50) LEVER	141	1	240624-1	PIN, FEED FINGER	56
1	1-21030-6	PIN, DOWEL (.187 DIA X 1.25) HOUSING	140	1	691499-1	SPRING, FEED FINGER	55
5	21024-5	WASHER, LOCK (NO 10) LUB ASSY	139	1	690541-1	FINGER, FEED	54
2	21024-5	WASHER, LOCK (NO 10) STRIP GUIDE ADJ BLOCK	138	1	455679-2	LEVER, TERMINAL FEED ARM	53
2	21024-5	WASHER, LOCK (NO 8) FEED FINGER	137	1		BUMPER, HOLDDOWN	52
2	21024-5	WASHER, LOCK (NO 10) FEED GUIDE ROD	136	1		SPACER, TONKER	51
2	21024-2	WASHER, LOCK (NO 4) FRONT STRIP GUIDE	135	1	7-21002-9	BOLT, CRIMPER	50
2	21024-4	WASHER, LOCK (NO 8) FEED FINGER	134	1	690602-5	CAM, PRE - FEED 1/8 STROKE	49
2	21024-4	WASHER, LOCK (NO 8) DEPRESSOR	133	1	986950-1	WASHER	48
4	21024-4	WASHER, LOCK (NO 8) STRIPPER	132	1	459456-1	APPLICATOR, BASIC (SUB ASSY)	47
1	21899-4	WASHER, FLAT (5/16 DIA) SCREW ADJ	131	1	690191-1	PLUG, NYLON	46
1	21899-2	WASHER, FLAT (NO 10) LUB ASSY	130	1	455673-1	RAM	45
2	21018-5	NUT, HEX MACH (6-32) HOLDDOWN	129	1	690125-1	WASHER, LAMINATED	44
1	21068-5	NUT, HEX MACH (6-32) FEED ADJ	128	1	1-690124-1	WASHER, RAM	43
1	2-21008-1	SCR, SKT SET (4-40 X .25) PIN HOLDER	127	1		DISC, SPACER	42
1	22353-8	SCR, SHLD. (.187 DIA X .250 LG) DRAG LEVER	126	1	23241-6	BALL, STEEL	41
1	456567-1	SCR, SHLD. (.187 DIA X .125 LG) STRIPPER	125	1	690170-1	SPRING, COMPRESSION	40
2	21009-2	SCR, SKT SET (1/4-20 X .25) (LOC-WEL) RAM	124	1	690142-1	DISC, INSULATION	39
2	21017-2	SCR, DRIVE (#2 X .19) I.D. PLATE	123	1	354777-1	DISC, WIRE	38
1	6-23715-5	SCR, RD HD MACH (6-32 X 1.50) FEED ADJ	122	1	22480-5	WASHER, SPRING	37
1	461264-1	PLATE, IDENTIFICATION	121	1	690212-1	POST, RAM	36
2	2-21002-9	SCR, BUT HD SKT CAP (10-32 X .75) DRAG	120	1	694074-5	SUPPORT, TERMINAL	35
1	22733-8	SCR, BUT HD SKT CAP (8-32 X .38) (LOC-WEL) ANVIL	119	1	455675-1	PLATE, BASE	34
4	2-21002-9	SCR, BUT HD SKT CAP (10-32 X .75) CAP	118	1	690432-3	SCREW, ADJUSTMENT	33
3	2-22733-8	SCR, BUT HD SKT CAP (1/4-20 X .75) HOUSING	117	1			32
1	2-21002-7	SCR, BUT HD SKT CAP (10-32 X .50) SG ADJ BLOCK	116	1	455689-1	BLOCK, STRIP GUIDE ADJ	31
4	2-21002-2	SCR, BUT HD SKT CAP (8-32 X .50) SHEAR	115	1	458144-9	PLATE, STRIP GUIDE	30
2	2-21002-3	SCR, BUT HD SKT CAP (8-32 X .62) R STRIP GUIDE	114	1		SPACER, FRONT SHEAR DEPRESSOR	29
1	1-21002-7	SCR, BUT HD SKT CAP (6-32 X .38) CAM	113	2	1-22284-0	SPRING, DRAG	28
1	3-21000-4	SCR, SKT HD CAP (10-32 X .38) LUBRICATOR ASSY	112	1	240793-1	LEVER, DRAG RELEASE	27
1	23030-1	SCR, SKT HD CAP (6-32 X .25) (LOC-WEL) CP DISC	111	1	240792-1	DRAG, STOCK	26
2	2-21000-8	SCR, SKT HD CAP (8-32 X .62) DEPRESSOR	108	1	5-690504-8	GUIDE STRIP (REAR)	25
1	2-22603-0	SCR, HEX HD MACH (8-32 X .31) FEED FINGER	107	1	690438-1	GUIDE, STRIP (FRONT)	24
3	1-21000-3	SCR, SKT HD CAP (4-40 X .25) F STRIP GUIDE	106	1	4-22284-9	SPRING, FEED RETURN	23
1	2-21000-7	SCR, SKT HD CAP (8-32 X .50) STRIPPER	105	1	458950-1	ARM, STRIPPER	22
2	3-21000-7	SCR, SKT HD CAP (10-32 X .75) FEED ROD GUIDE	104	1	458949-1	STRIPPER	21
2	3-21000-6	SCR, SKT HD CAP (10-32 X .62) FEED ADJ BLOCK	103	1	469965-1	HOLDER, TERMINAL	20
1	3-21000-4	SCR, SKT HD CAP (10-32 X .38) SG ADJ BLOCK	102	1	691667-3	GUARD, CHIP (REAR)	19
2	3-21000-4	SCR, SKT HD CAP (10-32 X .38) PIVOT BLOCK	101	1		GUARD, CHIP (FRONT)	18
1	455755-3	GUARD ASS'Y	79	1		PLATE, SHEAR (REAR)	17
1	1-465184-0	LUBRICATOR ASSY	78	1	690191-5	HOLDER, SHEAR (REAR)	16
2	5-354778-2	PIN, WIRE DISC (.2755) B	77	1	5-22280-0	PLUG, NYLON	15
2	1-354778-9	PIN, WIRE DISC (.2590) A	76	1	690461-7	SPRING, SHEAR	14
1	458109-1	WASHER, SPECIAL	75	1	1-690459-0	STOP, SHEAR	13
1	454377-3	PLATE, STRIP GUIDE GOVER	74	1	454276-7	HOLDER, SHEAR (FRONT)	12
1	690603-1	SPRING, ASSIST	73	1	3-458834-8	SHEAR, FLOAT (FRONT)	11
1	690517-1	SPACER	72	1	815306-1	ANVIL	10
1	22594-8	NUT, HEX	71	1	815307-1	HOLDER, SETTING PIN	9
1	240628-1	PLATE, ADJUSTMENT	70	1	2-455889-1	PIN, LANCE SETTING	8
1	240626-1	SHAFT, PIVOT	69	1	238011-1	DEPRESSOR, SHEAR (FRONT)	7
1	240633-1	BUSHING	68	1	6-456135-7	SPACER, TUBULAR, INS CRIMPER	6
1	455680-1	LEVER, INTERMEDIATE	67	1	1-455888-0	CRIMPER, INSULATION	5
1	240629-1	BLOCK, PIVOT	66	1	458141-5	SPACER, CRIMPER	4
1	240632-2	SCREW, ADJUSTMENT FEED ROD	65	1		CRIMPER, WIRE	3
1	240659-3	PIN, CAM ROLLER	64	1			2
1	240658-1	ROLLER, CAM	63	1			1
1	454398-2	ROD, FEED	62	1			
1	454178-1	GUIDE, FEED ROD	61	1			

CRIMPING DATA				APPLICATOR WILL APPLY																																	
PAD LTR	CRIMP HEIGHT	WIRE SIZE	WIRE LENGTH	530519																																	
A	.106	10	.280-.300																																		
B	.091	12	.280-.300																																		
C	NOT USED																																				
D	NOT USED																																				
CRIMP	SIZE	TYPE	FEED	APPL INST																																	
WIRE	.160	"F"	.750	A1 8040																																	
INSUL	250	"O"																																			
WIRE RANGE	12-10	INSULATION RANGE	.160-.210	PRESS NO	565435-5																																
REMARKS																																					
AMP-O-LECTRIC PRE-FEED																																					
#10 WIRE MUST BE PLACED IN WIRE BARREL TO TERMINATE.																																					
REF. I.D. PLATE 461264-1																																					
<table border="1"> <tr> <td>REVISION RECORD</td> <td>APP DATE</td> <td>REV</td> <td>DESCRIPTION</td> </tr> <tr> <td>J</td> <td>0150-0150-03</td> <td>2-03</td> <td>TE</td> </tr> <tr> <td>J</td> <td>0150-0065-01</td> <td>1-01</td> <td>CE</td> </tr> <tr> <td>H</td> <td>0150-7598-97</td> <td>1-01</td> <td>WC</td> </tr> </table>						REVISION RECORD	APP DATE	REV	DESCRIPTION	J	0150-0150-03	2-03	TE	J	0150-0065-01	1-01	CE	H	0150-7598-97	1-01	WC																
REVISION RECORD	APP DATE	REV	DESCRIPTION																																		
J	0150-0150-03	2-03	TE																																		
J	0150-0065-01	1-01	CE																																		
H	0150-7598-97	1-01	WC																																		
<table border="1"> <tr> <td>REVISION RECORD</td> <td>APP DATE</td> <td>REV</td> <td>DESCRIPTION</td> </tr> <tr> <td>G</td> <td>0150-4876-93</td> <td>1-13</td> <td>SET UP GAGE 10-1</td> </tr> <tr> <td>F</td> <td>ECN R 7277</td> <td>12-21-6</td> <td>458637-1839</td> </tr> <tr> <td>E</td> <td>REV ITEM 47 R2488</td> <td>09-04-78</td> <td>DR</td> </tr> <tr> <td>D</td> <td>REV ITEM 32 R2346</td> <td>05-10-78</td> <td>BOOK</td> </tr> <tr> <td>C</td> <td>REV PER ECN R2162</td> <td>05-28-77</td> <td>CHK</td> </tr> <tr> <td>B</td> <td>REV PER ECN R2055</td> <td>10-28-77</td> <td>REL</td> </tr> <tr> <td>A</td> <td>0150-4876-93</td> <td>1-13</td> <td>NAME</td> </tr> </table>						REVISION RECORD	APP DATE	REV	DESCRIPTION	G	0150-4876-93	1-13	SET UP GAGE 10-1	F	ECN R 7277	12-21-6	458637-1839	E	REV ITEM 47 R2488	09-04-78	DR	D	REV ITEM 32 R2346	05-10-78	BOOK	C	REV PER ECN R2162	05-28-77	CHK	B	REV PER ECN R2055	10-28-77	REL	A	0150-4876-93	1-13	NAME
REVISION RECORD	APP DATE	REV	DESCRIPTION																																		
G	0150-4876-93	1-13	SET UP GAGE 10-1																																		
F	ECN R 7277	12-21-6	458637-1839																																		
E	REV ITEM 47 R2488	09-04-78	DR																																		
D	REV ITEM 32 R2346	05-10-78	BOOK																																		
C	REV PER ECN R2162	05-28-77	CHK																																		
B	REV PER ECN R2055	10-28-77	REL																																		
A	0150-4876-93	1-13	NAME																																		
<table border="1"> <tr> <td>LOC</td> <td>D</td> <td>NO</td> <td>466438-2</td> <td>REV</td> <td>J1</td> </tr> </table>						LOC	D	NO	466438-2	REV	J1																										
LOC	D	NO	466438-2	REV	J1																																
<table border="1"> <tr> <td>NAME</td> <td>MINIATURE QUICK CHANGE APPLICATOR</td> </tr> <tr> <td>DESCRIPTION</td> <td>SIDE FEED (HIGH CURRENT CONTACT)</td> </tr> </table>						NAME	MINIATURE QUICK CHANGE APPLICATOR	DESCRIPTION	SIDE FEED (HIGH CURRENT CONTACT)																												
NAME	MINIATURE QUICK CHANGE APPLICATOR																																				
DESCRIPTION	SIDE FEED (HIGH CURRENT CONTACT)																																				
<table border="1"> <tr> <td>DATE</td> <td>CUSTOMER AND ASSEMBLY DRAWING</td> <td>APPROVED</td> </tr> </table>						DATE	CUSTOMER AND ASSEMBLY DRAWING	APPROVED																													
DATE	CUSTOMER AND ASSEMBLY DRAWING	APPROVED																																			

THIS IS A CONTROLLED DOCUMENT.

BY AMP INCORPORATED ALL RIGHTS RESERVED