

REFERENCE SPECIFICATIONS

-NFC 93425 (in compliance with HE 507)

PHYSICAL CHARACTERISTICS

- INSULATOR MATERIAL: THERMOPLASTIC UL94 V-0
- ACCESSORIES: STAINLESS STEEL or BRASS, cadmium plated yellow passivation
- SHELLS: STEEL, cadmium plated yellow passivation

ELECTRICAL CHARACTERISTICS

- CONTACT/CONTACT : >=1000 V
- CONTACT/GROUND : >=1200 V
- INSULATION RESISTANCE: >=5000 MOhms

ENVIRONMENTAL CHARACTERISTICS

- CLIMATIC CATEGORY: 55/125/56
- TEMPERATURE RANGE -55°C TO +125°C
- DAMP HEAT STEADY STATE 56 DAYS
- SALT SPRAY 48 HOURS

DBMF5W5SN

Series

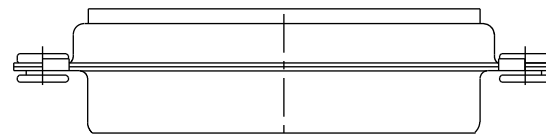
Shell size: **E A B C**
see sheet 2

Front accessory definition
see sheet 2

- Blank** :without accessory
- L** :threaded insert M3
- O** :threaded insert UNC 4-40
- V** :female screw UNC 4-40
- I** :female screw M3
- F** :floating mounting

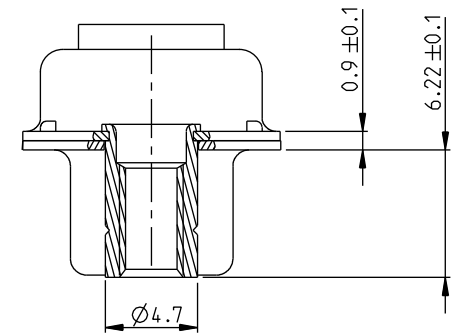
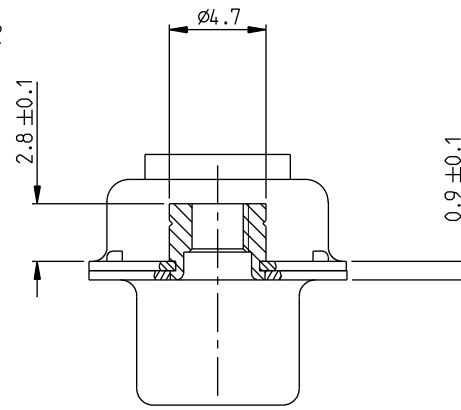
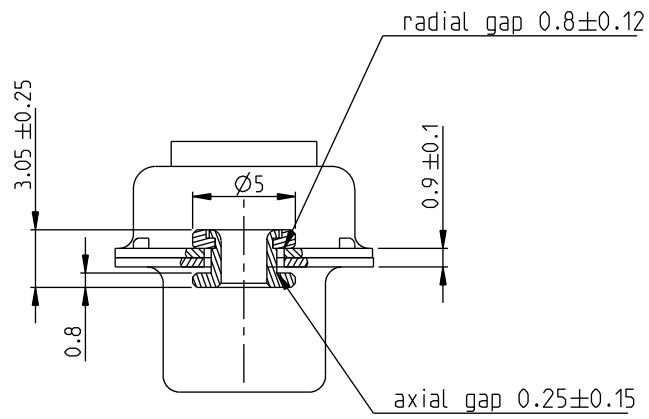
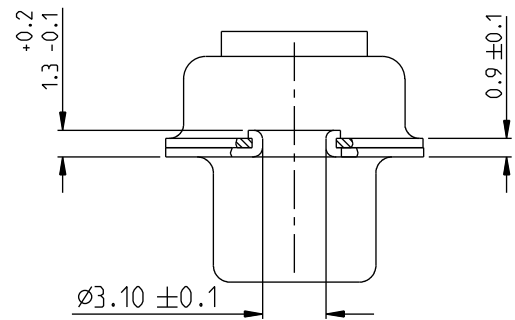
Contacts
Layout of contacts (see sheet 3)

- S** :Socket
- N** :mandatory indication for HE 507 series



rev	ecn no	dr	date
A	LS06-0174	MPE	2006/11/14
B	LS07-0273	MPE	2007/10/30
C	F10-0072	LSA	2010/07/20
-	-	-	-
-	-	-	-
-	-	-	-

www.fciconnect.com		surface ISO 1302	-	tolerance std ISO 406	ISO 1101	projection ISO 1101	mm
		TOLERANCES UNLESS OTHERWISE SPECIFIED					
Dr	M PESSON	2006/11/14	ANGULAR	0.X	±0.3	size	A2
Eng	P LEGARE	2006/11/14	LINEAR	0.XX	±0.1	Scale	2:1
Chr	P LEGARE	2006/11/14	0° ±2°	0.XXX	±0.05	ECN	F10-0072
Appr	P LEGARE	2006/11/14	Product family	-		Spec ref	
FCI		title		SUB FEMALE DMW		dwg no	C01-8637-1731
				full power without contact		Rev.	C
		catalog no		-		CUSTOMER	sheet 1 of 4



FRONT ACCESSORY

Blank without

F Floating mounting

L insert M3
O insert UNC 4.40

V Female screw UNC 4.40
I Female screw M3

PART NUMBER	FRONT ACCESSORY
D*M*W*SN	without
D*ML*W*SN	insert M3
D*MO*W*SN	insert UNC 4-40
D*MV*W*SN	female screw UNC 4-40
D*MI*W*SN	female screw M3
D*MF*W*SN	floating mounting

shell size LAYOUTS

*	xW x
E	2V2
A	3V3
A	3W3
B	5W5
C	8W8



Copyright FCI.

www.fciconnect.com		surface -	tolerance std ISO 1302	ISO 406	ISO 1101	projection	mm
		TOLERANCES UNLESS OTHERWISE SPECIFIED					
Dr	M PESSON	2006/11/14	ANGULAR	0.X	±0.3	size	A2
Eng	P LEGARE	2006/11/14	LINEAR	0.XX	±0.1	Scale	4:1
Chr	P LEGARE	2006/11/14	0° ±2°	0.XXX	±0.05	ECN	F10-0072
Appr	P LEGARE	2006/11/14	Product family			Spec ref	
FCI		title SUB FEMALE DMW		full power without contact		dwg no	C01-8637-1731
		catalog no		-		CUSTOMER	sheet 2 of 4

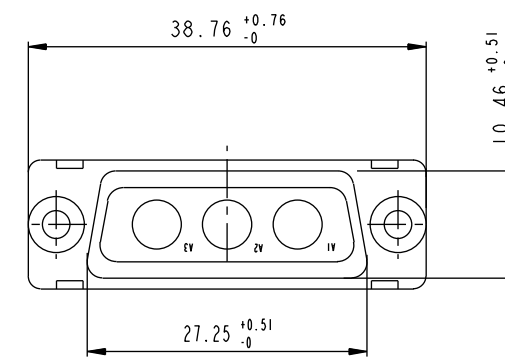
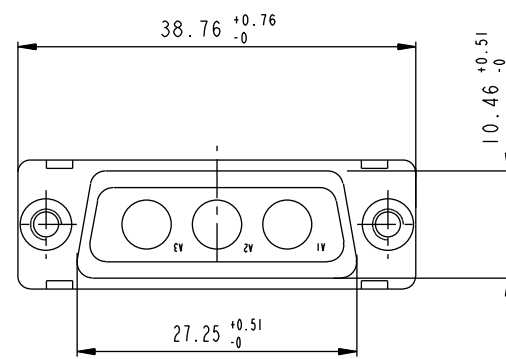
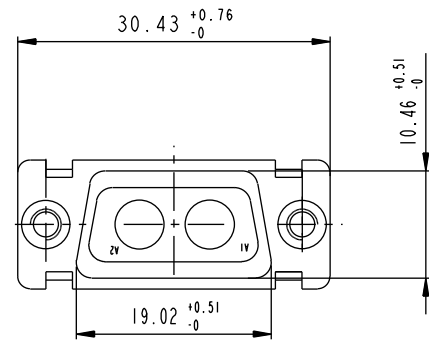
SCALE: 4

REV C - 2006-03-28

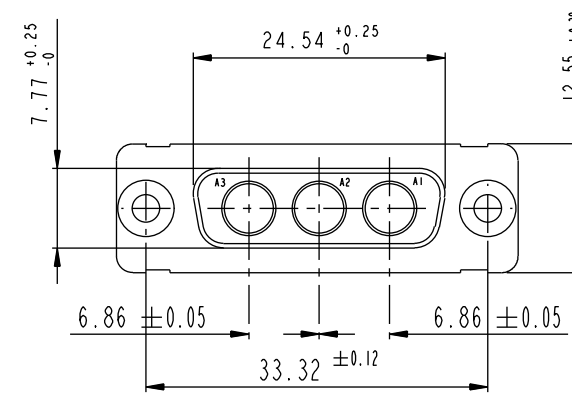
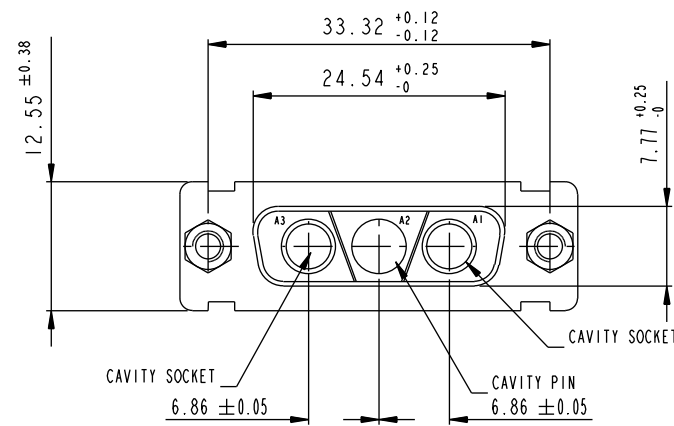
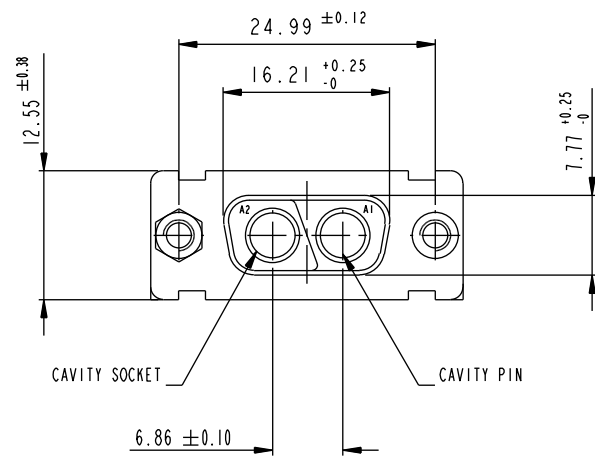
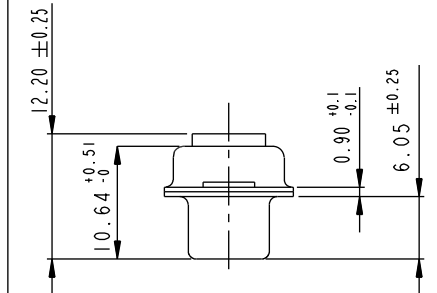
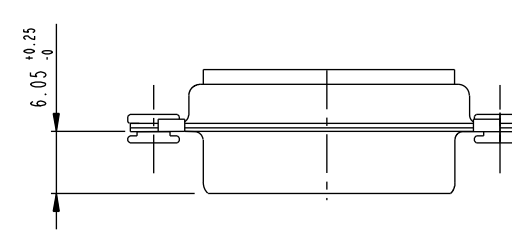
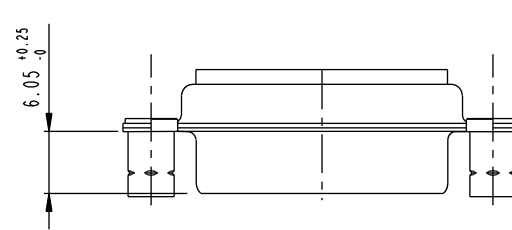
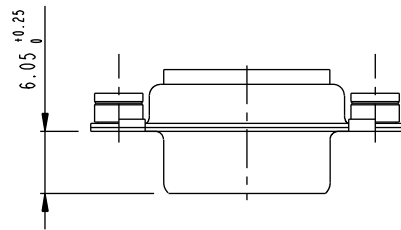
2V2

3V3

3W3



SIDE VIEW FOR LAYOUTS: E A B C



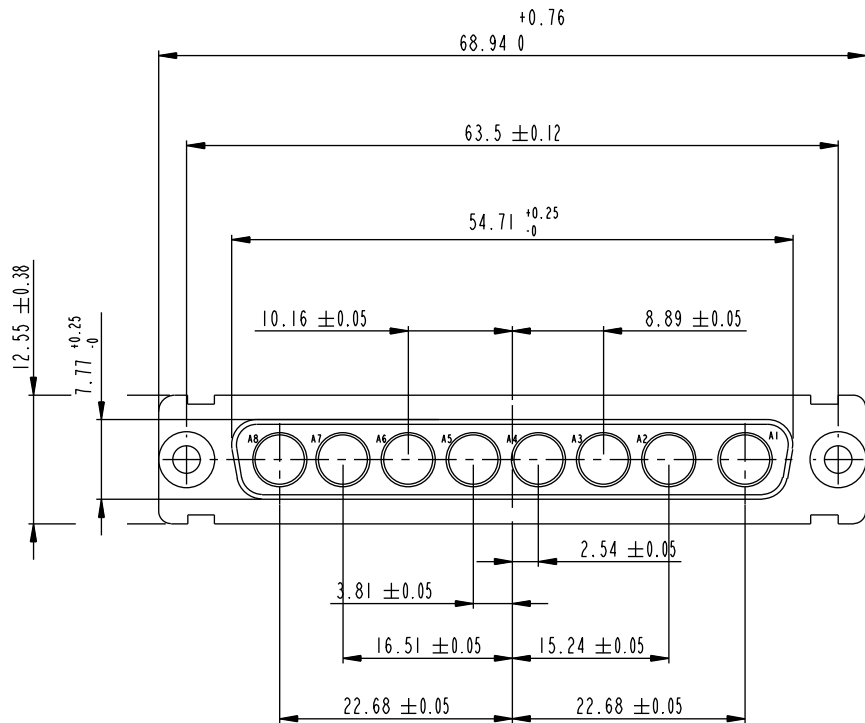
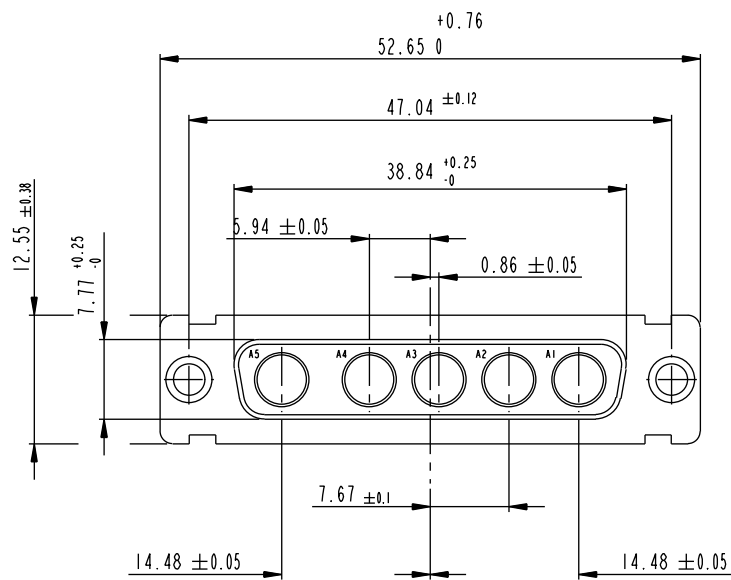
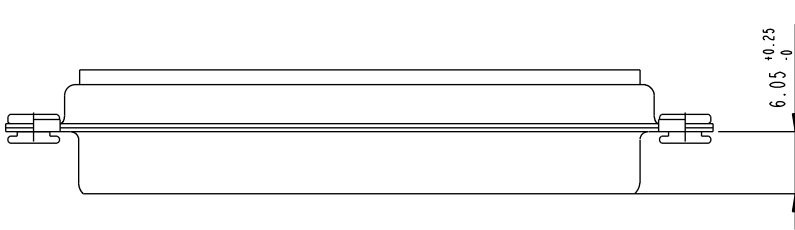
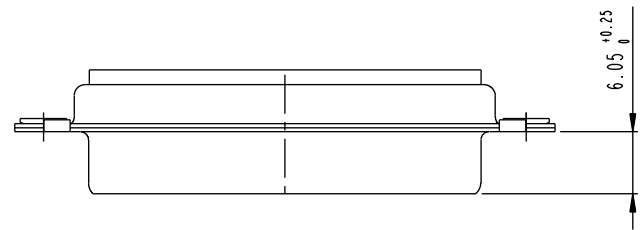
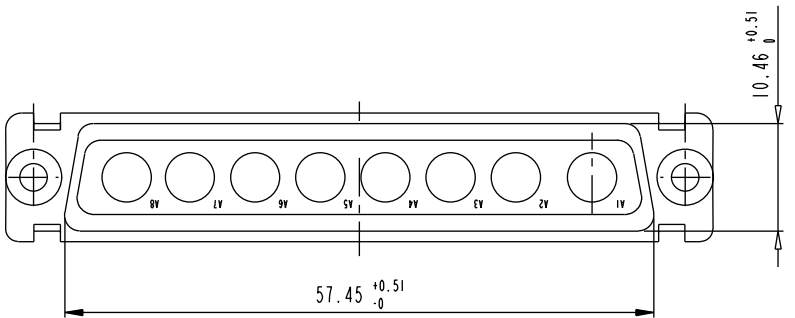
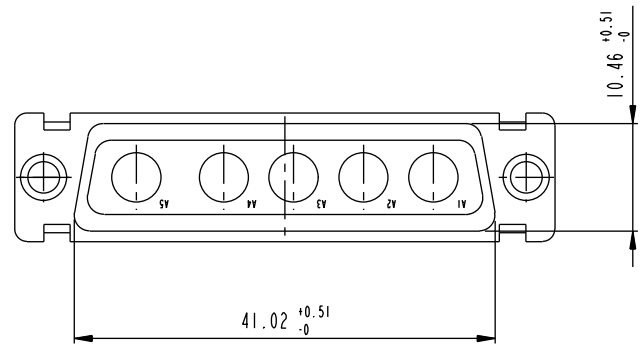
Copyright FCI.

www.fciconnect.com		surface ISO 1302	-	tolerance std ISO 406 ISO 1101	projection ISO 1101	mm
		TOLERANCES UNLESS OTHERWISE SPECIFIED				
Dr	M PESSON	2006/11/14	ANGULAR	0.X	±0.3	size A2
Eng	P LEGARE	2006/11/14	LINEAR	0.XX	±0.1	Scale 2:1
Chr	P LEGARE	2006/11/14	0° ±2°	0.XXX	±0.05	ECN F10-0072
Appr	P LEGARE	2006/11/14	Product family	-		Spec ref
FCI title SUB FEMALE DMW		full power without contact		dwg no C01-8637-1731		Rev. C
catalog no		-		CUSTOMER		sheet 3 of 4

REV C - 2006-03-28

5W5

8W8



Copyright FCI.

www.fciconnect.com		surface ISO 1302	-	tolerance std ISO 406	ISO 1101	projection ASME Y14.5	mm
		TOLERANCES UNLESS OTHERWISE SPECIFIED					
Dr	M PESSON	2006/11/14	ANGULAR	0.X	±0.3	size	Scale
Eng	P LEGARE	2006/11/14	LINEAR	0.XX	±0.1	A2	2:1
Chr	P LEGARE	2006/11/14	0° ±2°	0.XXX	±0.05	ECN	F10-0072
Appr	P LEGARE	2006/11/14	Product family	-		Spec ref	
FCI		title SUB FEMALE DMW			dwg no C01-8637-1731		Rev.
		full power without contact			CUSTOMER		sheet 4 of 4