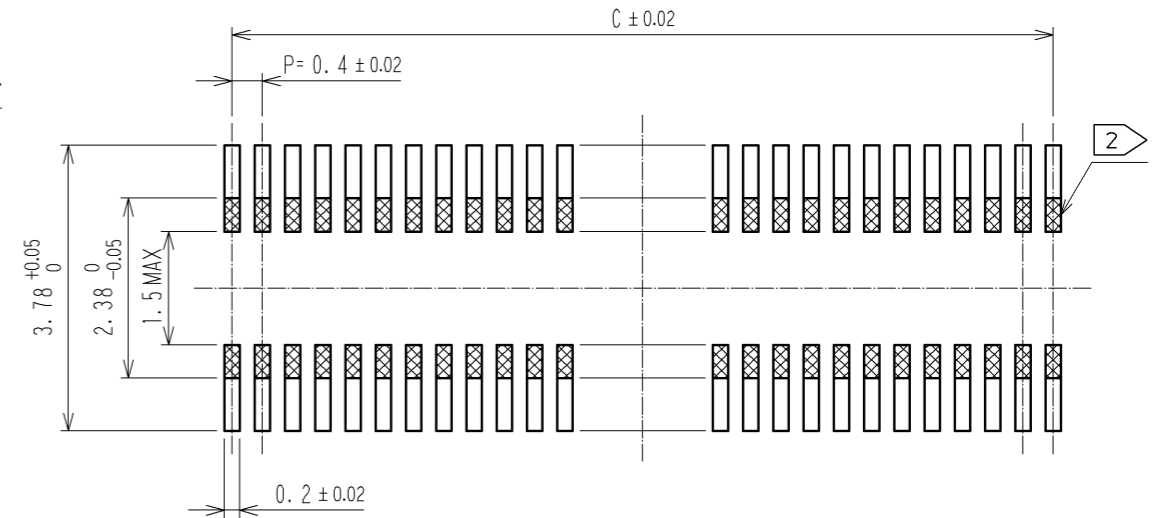
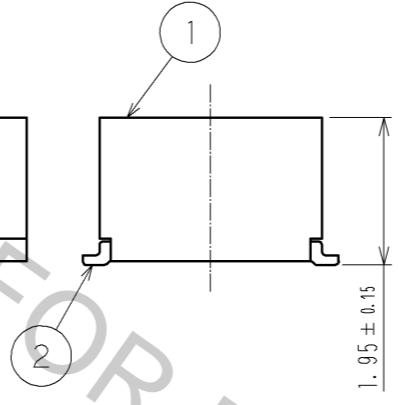
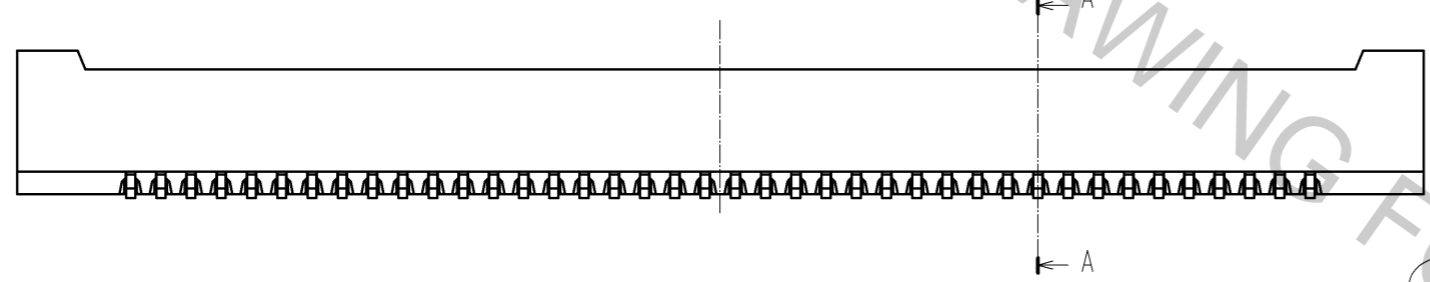


RECOMMENDED PATTERN

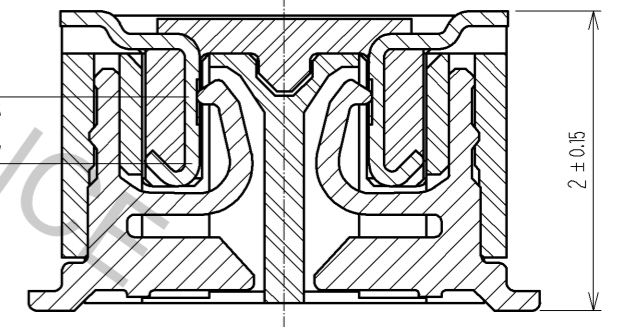


RECOMMENDED METAL MASK THICKNESS : 120 μm  
 RECOMMENDED METAL MASK OPENING RATIO : 80% FOR LEAD PAD



EFFECTIVE CONTACT LENGTH : 0.45

ENGAGEMENT FIGURE(20:1)



- NOTES ) 1. ALL LEADS CO-PLANARITY SHALL BE 0.1 MAX.  
 2. IS NO PATTERN AREA OTHER THAN THE SAME CIRCUIT.  
 3. HRS MARK AND CAV NO. IS INDICATED IN APPROXIMAL POSITION SHOWN.  
 4. GATE POSITION OF 60 TO 100 POSITIONS IS POSITIONED IN APPROXIMAL AREA SHOWN.  
 5. GATE POSITION OF 20 TO 50 POSITIONS IS POSITIONED IN APPROXIMAL AREA SHOWN.  
 A PART OF THE WALL COULD BE NOTCHED FOR SETTING GATE.  
 6. 60 TO 100 POSITIONS HAVE CONCAVE PORTION.

PART NO.	CL CODE	B	C	D
DF40C(2.0)-20DS-0.4V(51)	CL684-4040-0-51	6.6	3.6	1.0
DF40C(2.0)-24DS-0.4V(51)	CL684-4041-2-51	7.4	4.4	1.0
DF40C(2.0)-30DS-0.4V(51)	CL684-4058-5-51	8.6	5.6	1.5
DF40C(2.0)-40DS-0.4V(51)	CL684-4042-5-51	10.6	7.6	3.2
DF40C(2.0)-50DS-0.4V(51)	CL684-4091-0-51	12.6	9.6	3.2
DF40C(2.0)-60DS-0.4V(51)	CL684-4034-7-51	14.6	11.6	3.2
DF40C(2.0)-70DS-0.4V(51)	CL684-4147-3-51	16.6	13.6	3.2
DF40C(2.0)-80DS-0.4V(51)	CL684-4132-6-51	18.6	15.6	3.2
DF40C(2.0)-100DS-0.4V(51)	—	22.6	19.6	3.2

NO.	MATERIAL	FINISH . REMARKS	NO.	MATERIAL	FINISH . REMARKS
2	PHOSPHOR BRONZE	CONTACT AREA:GOLD 0.05 μm MIN SMT LEAD:GOLD 0.05 μm MIN UNDERPLATING:NICKEL 1 μm MIN	6	PS	CLEAR, REINFORCEMENT COLLAR
			5	PS	BLACK, PLASTIC REEL
			4	POLYESTER	CLEAR, COVER TAPE
1	LCP	BLACK, UL94V-0	3	PS	CLEAR, EMBOSSED CARRIER TAPE

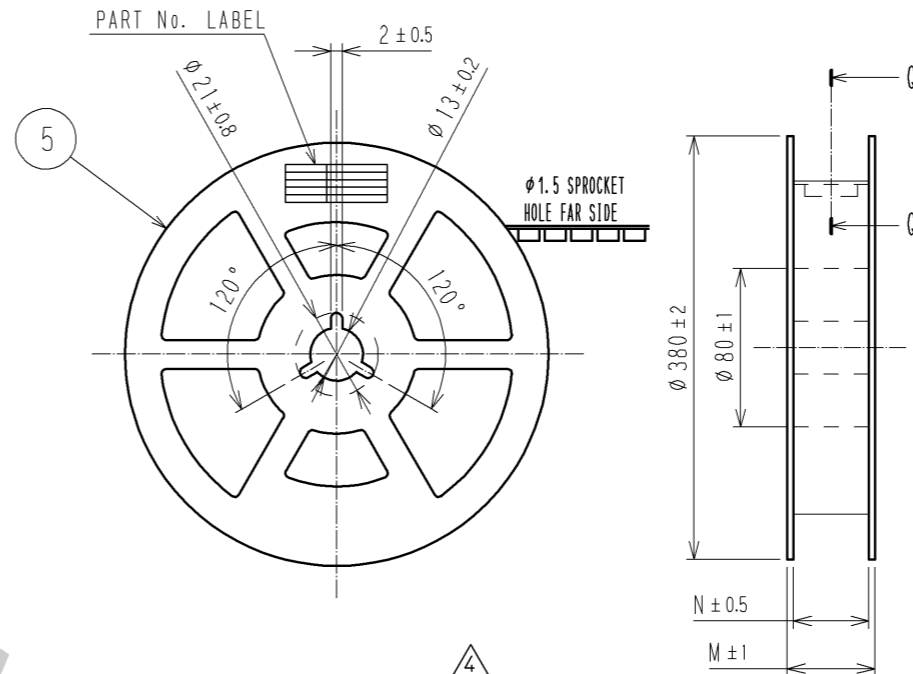
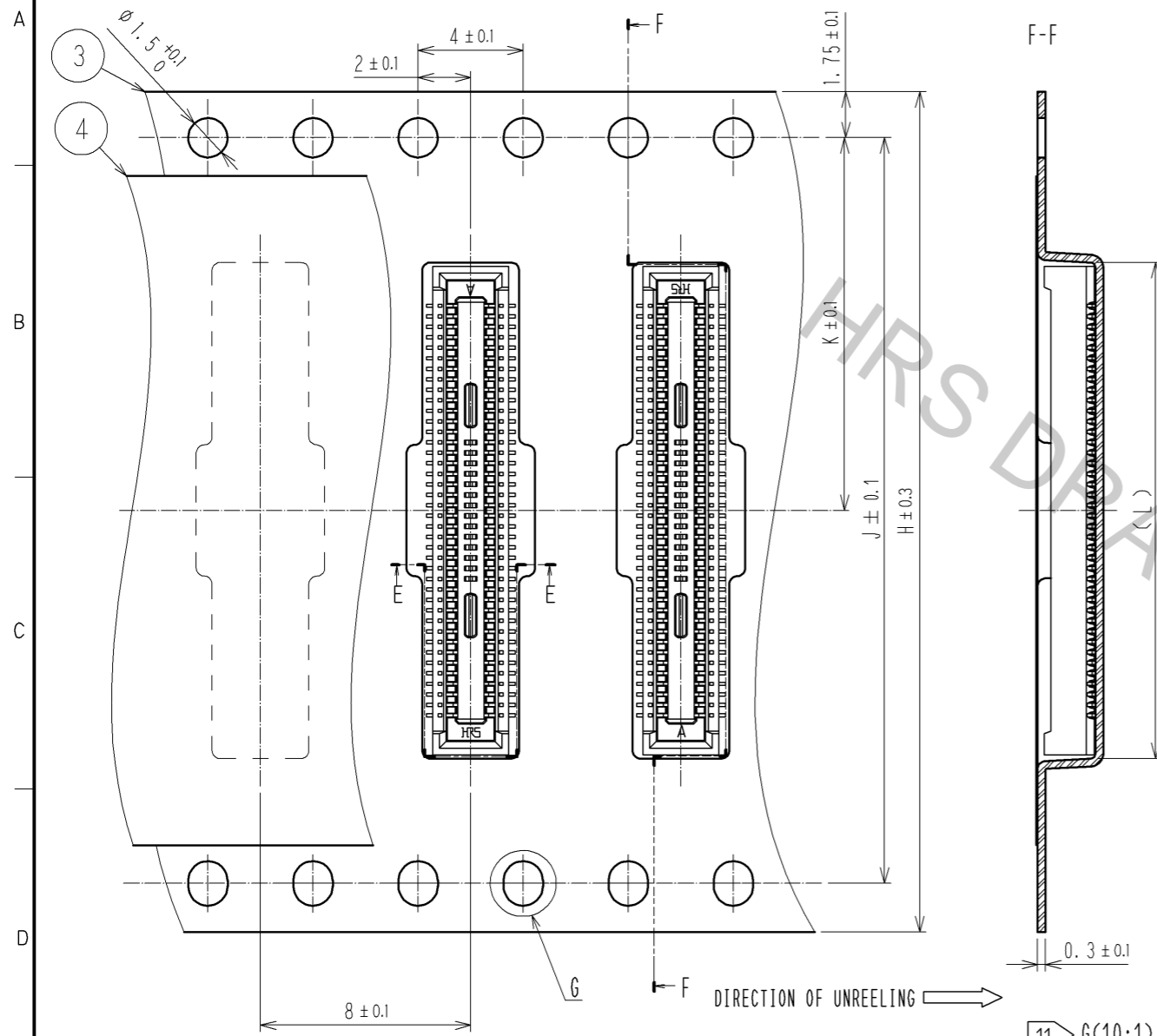
UNITS	SCALE	COUNT	DESCRIPTION OF REVISIONS	DESIGNED	CHECKED	DATE
mm	10 : 1	2	DIS-H-006409	TR. YUNOKI	TS. MIYAZAKI	11. 12. 09

APPROVED	DATE	DRAWING NO.
KH. IKEDA	08. 04. 18	EDC3-315166-02
TS. MIYAZAKI	08. 04. 18	PART NO.
TK. SUZUKI	08. 04. 17	DF40C(2.0)-*DS-0.4V(51)
TK. SUZUKI	08. 04. 17	CODE NO.
		CL684

# EMBOSSED CARRIER TAPE PACKAGING(5:1)

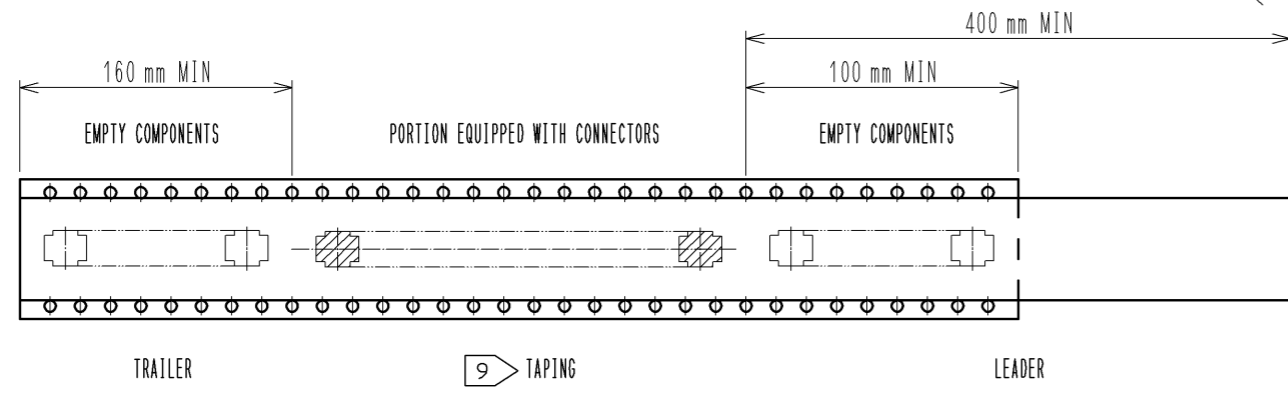
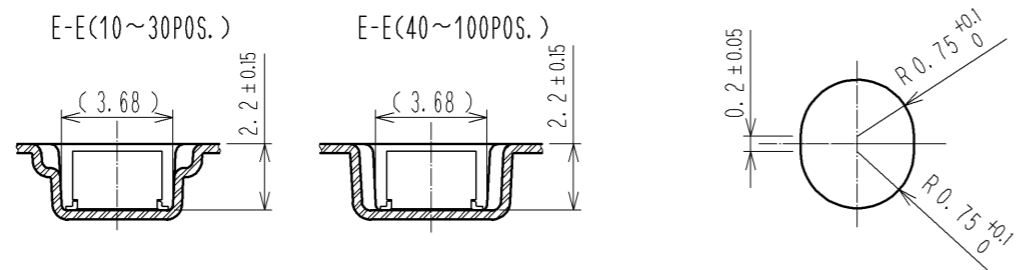
# STYLE AND DIMENSION OF REEL(FREE SIZE)



10> DETAIL OF PART No. LABEL

製造年月日	** ** *
製品コード	CL684-****-51
製品名	DF40C(2.0)-*DS-0.4V(51)
数量	4000
納入者	ヒロセ電機(株)

PART NO.	H	J	K	L	M	N
DF40C(2.0)-20DS-0.4V(51)	16	—	7.5	6.9	21.5	17.5
DF40C(2.0)-24DS-0.4V(51)	16	—	7.5	7.7	21.5	17.5
DF40C(2.0)-30DS-0.4V(51)	24	—	11.5	8.9	29.5	25.5
DF40C(2.0)-40DS-0.4V(51)	24	—	11.5	10.9	29.5	25.5
DF40C(2.0)-50DS-0.4V(51)	24	—	11.5	12.9	29.5	25.5
DF40C(2.0)-60DS-0.4V(51)	24	—	11.5	14.9	29.5	25.5
DF40C(2.0)-70DS-0.4V(51)	32	28.4	14.2	16.9	37.5	33.5
DF40C(2.0)-80DS-0.4V(51)	32	28.4	14.2	18.9	37.5	33.5
DF40C(2.0)-100DS-0.4V(51)	44	40.4	20.2	22.9	49.5	45.5



- NOTES
- PER REEL 4000 CONNECTORS.
  - THE DIMENSIONS IN PARENTHESES ARE FOR REFERENCE.
  - REFER TO JIS C 0806(PACKING OF COMPONENTS FOR AUTOMATIC HANDLING)
  - DETAIL OF PART No. LABEL IS WRITTEN IN JAPANESE. PART No. LABEL DESCRIBES THE FOLLOWING INFORMATION FROM TOP.  
 PRODUCTION DATE:  
 PRODUCT CODE: CL684-\*\*\*\*-51  
 PART NUMBER: DF40C(2.0)-\*DS-0.4V(51)  
 NUMBER OF PIECES: 4000 PIECES  
 SUPPLIER NAME: HIROSE ELECTRIC CO., LTD.
  - 20 TO 60 POSITIONS EMBOSSED CARRIER TAPE HAS THE SPROCKET HOLE ON ONE SIDES.
  - AFTER PACKAGING, ROLL 2 METERS OF THE REINFORCEMENT COLLAR TO OUTER CIRCUMFERENCE OF TAPE AND REEL POCKET, AND TAPE DOWN AT THE END THE COLLAR.

<b>HRS</b>	DRAWING NO.	EDC3-315166-02
	PART NO.	DF40C(2.0)-*DS-0.4V(51)
	CODE NO.	CL684

Apr.1.2017 Copyright 2017 HIROSE ELECTRIC CO., LTD. All Rights Reserved.