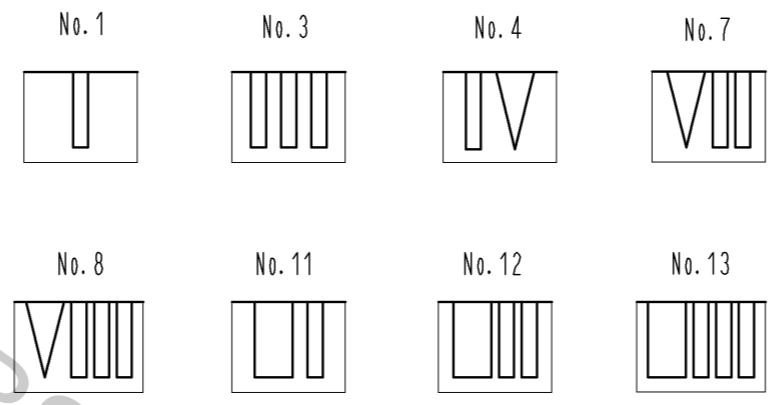
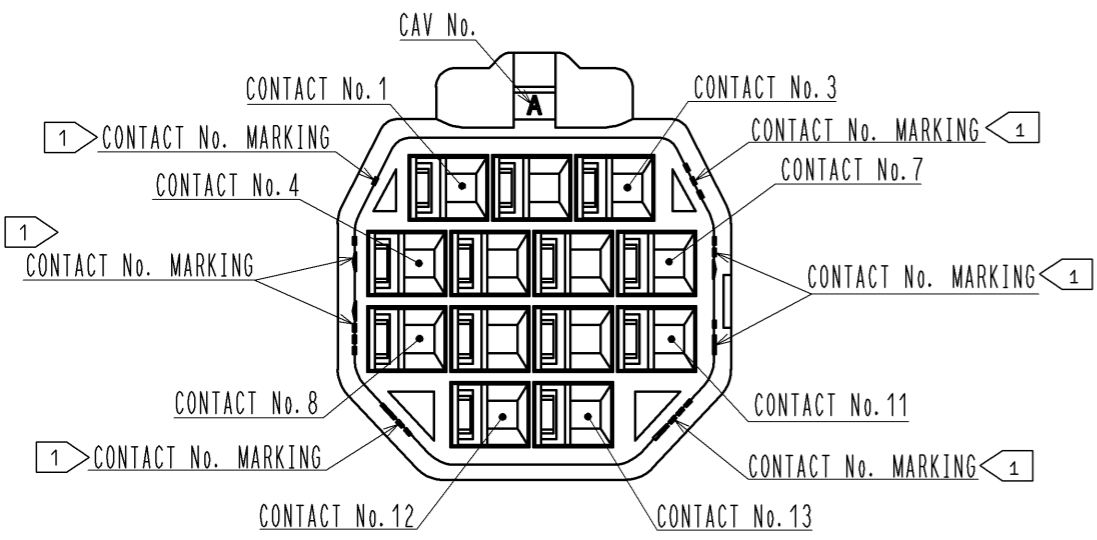
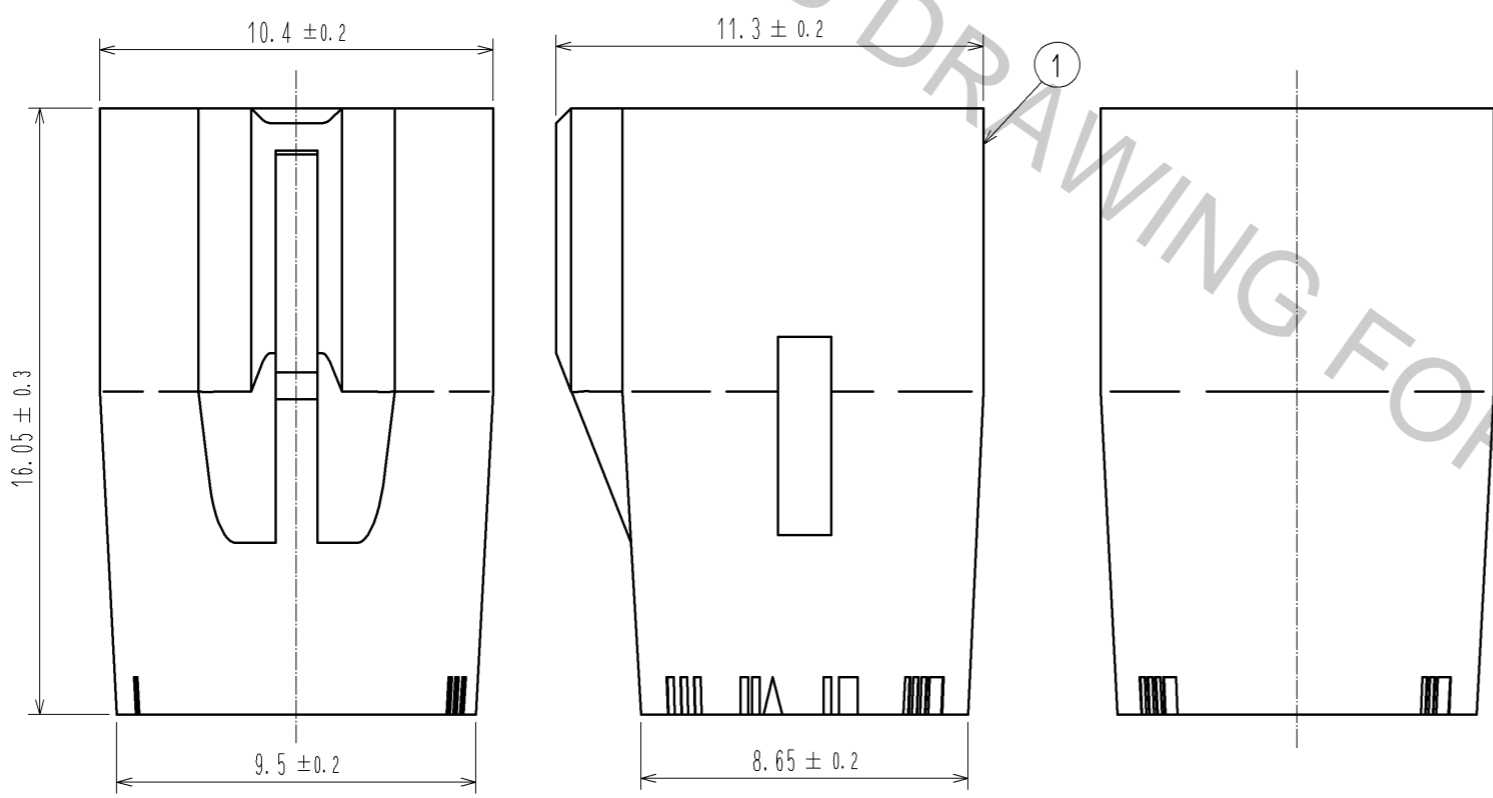
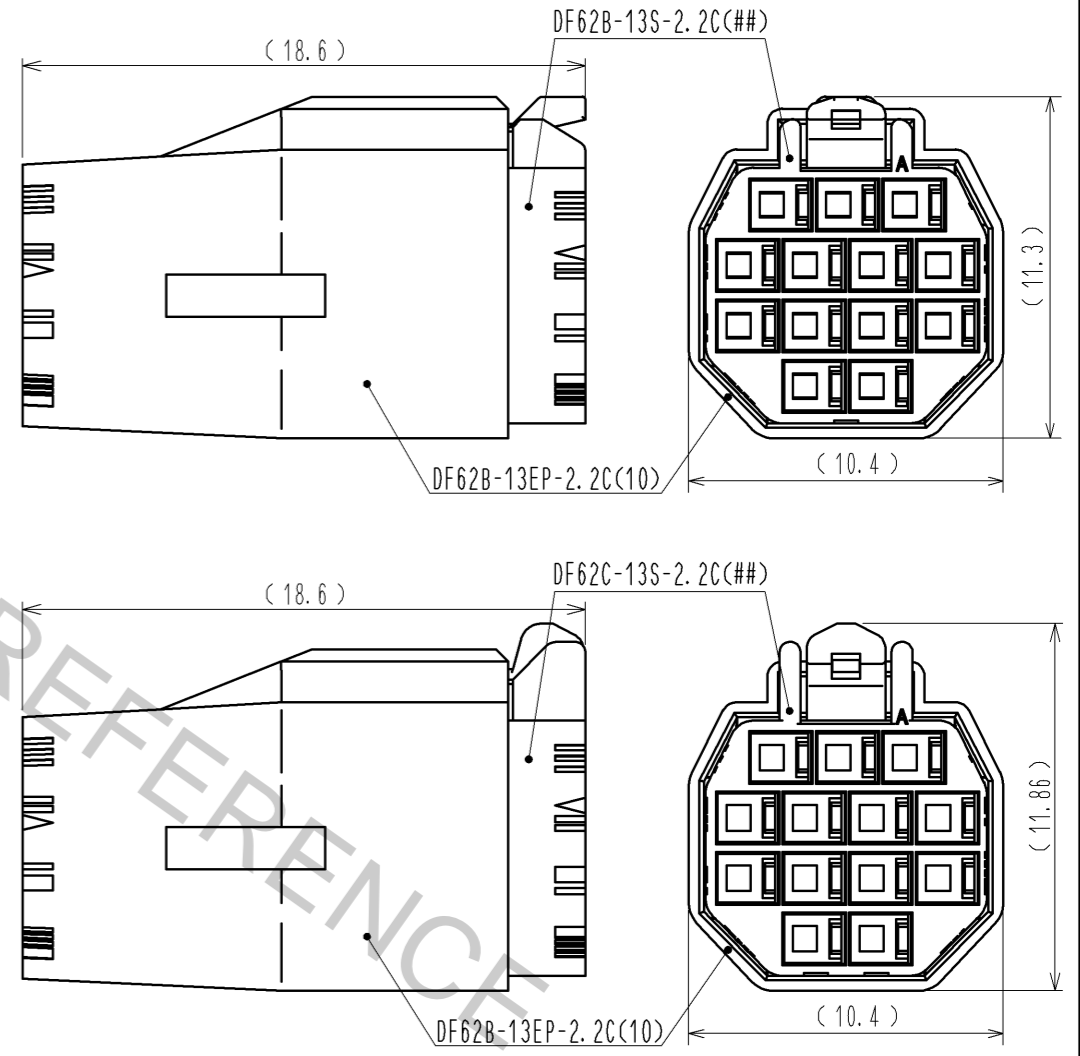


1 FIGURE-1 CONTACT No. MARKING (10:1)



MATING FIGURE (FREE)



NOTE. 1 MARKINGS AT THE INDICATED POSITIONS ARE CONTACT NO. MARKING. AND SHAPES ARE SHOWN IN FIGURE-1.
 2. PER PACK : 100 PIECES.
 3. THE DIMENSIONS IN PARENTHESIS ARE FOR REFERENCE.

NO.		MATERIAL		FINISH . REMARKS		1	PBT	UL94V-0 (WHITE)	
UNITS mm		SCALE 5 : 1		COUNT		DESCRIPTION OF REVISIONS		DESIGNED	CHECKED
APPROVED : KI. AKIYAMA		13.05.29		DRAWING NO.		EDC3-351969-01			
CHECED : HK. UMEHARA		13.05.29		PART NO.		DF62B-13EP-2.2C(10)			
DESIGNED : TS. KUMAZAWA		13.05.29		CODE NO.		CL544-0564-1-10			
DRAWN : TS. KUMAZAWA		13.05.29							