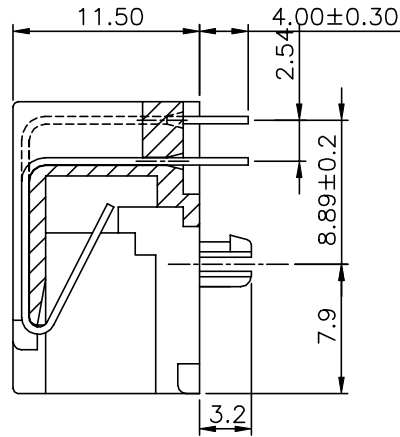
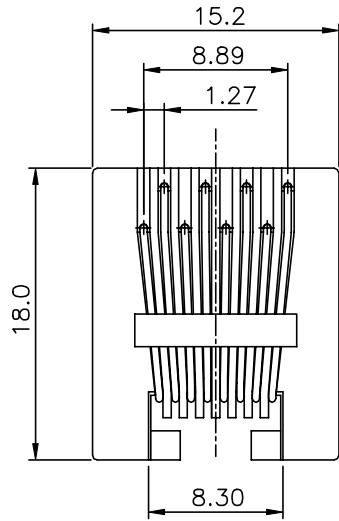
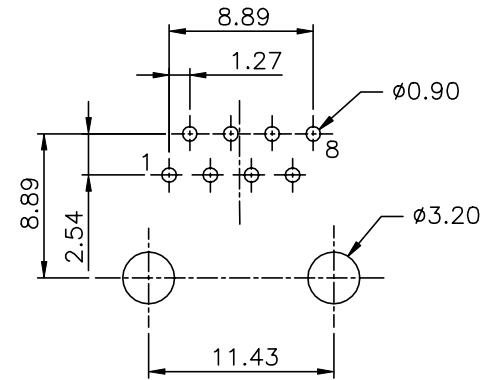
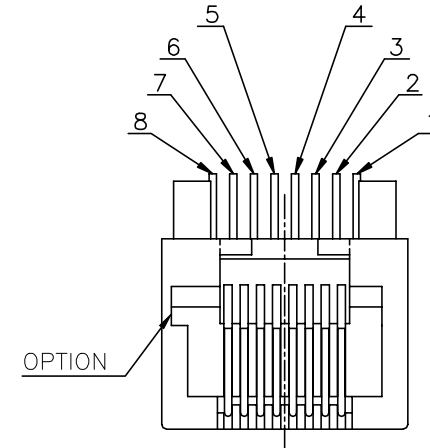
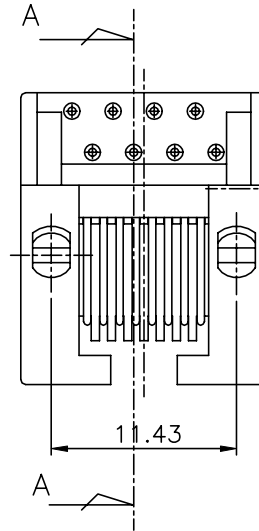


REVISION RECORD				
REV	ECO	DESCRIPTION	DRFT	CHKD
△		MODIFY NOTE	JAMYIN	1/14/06
△		MODIFY NOTE	ANKUE	7/28/06



SECTION A-A



PC Board Layout  
Component Side Shown

**NOTES:**

**ELECTRICAL:**

- 1. VOLTAGE RATING : 125 VAC RMS.
- 2. CURRENT RATING : 1.5 AMP.
- 3. CONTACT RESISTANCE : 30 MILLIOHMS MAX.
- 4. INSULATION RESISTANCE : 1000 MEGOHMS MIN @ 500 VDC.
- 5. DIELECTRIC STRENGTH : 1000 VAC RMS 60Hz, 1MIN.

**MECHANICAL:**

- △ 1. HOUSING MATERIAL : NYLON+GF30% UL94V-0.
- 2. CONTACT MATERIAL : PHOSPHOR BRONZE  $\phi$ 0.46mm.
- 3. PLATING : GOLD PLATING OVER NICKEL.
- 4. OPERATING LIFE : 750 CYCLES MIN.
- 5. PCB RETENTION PRE-SOLDER : 1 LB MIN.
- 6. PCB RETENTION POST-SOLDER: 10 LBS MIN.

**ENVIRONMENTAL:**

- 1. STORAGE : -40°C TO +85°C.
- 2. OPERATION : -40°C TO +85°C.
- 3. WAVE SOLDERING TEMPERATURE : 255°C TO 265°C (5~10 SECONDS).
- 4. RoHS COMPLIANT.

MATES WITH MODULAR PLUG CONFORMING TO  
FCC PART 68, SUBPART F.

ROHS PART NUMBER: E5388-000XXX-L

- PLASTIC MATERIAL:  
 △ 5-NYLON+GF30% BLACK  
 △ 1-NYLON+GF30% BLUE PANTON 306U.
- 1- 3u" 2- 6u"
  - 3- 15u" 4- 30u"
  - 5- 50u" 6- Pd 20u"
  - 1- W/O KEY
  - 2- W/ KEY

← MM (INCH) →		DFTO JAMYIN	DATE 12/25/05
TOLERANCES EXCEPT AS NOTED		CHKD ASHELLY	DATE 2006/7/28
		MFO	DATE
		APPV LUSHENG	DATE 2006/7/28
MM		MATERIAL :	
.0 ± 0.2	±		
.00 ± 0.15	±		
.000 ± 0.075	±		
ANGLES ± 0.5		QT'Y :	
THIRD ANGLE PROJECTION		FINISH :	
		SCALE : 1:1	

		<b>RoHS Compliant</b>	
FULL RISE ELECTRONIC CO., LTD			
TITLE 90° VERY L/P PCB JACK 8P			
DRAWING NO. GE533014_LA		SIZE A3	REV 2
/PART NO. SEE NOTE			
DO NOT SCALE DRAWING		SHEET 1	OF 1