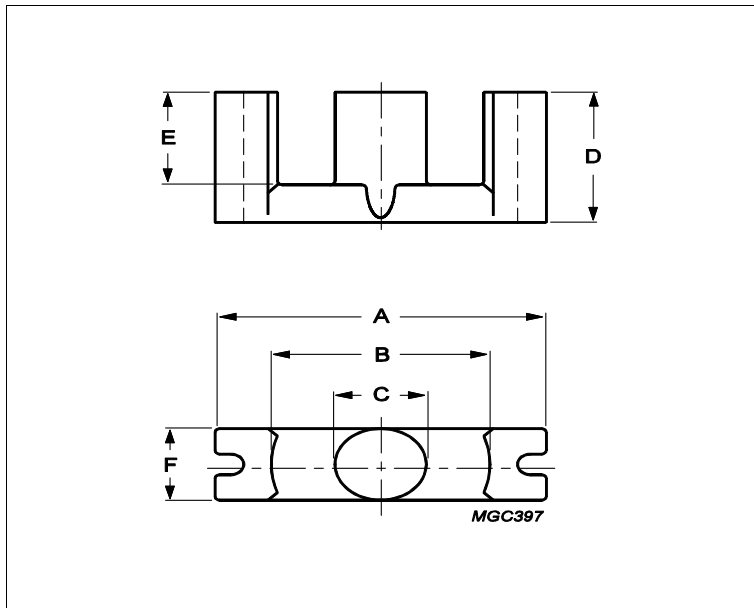


Core **EC52/24/14**



| Effective parameters | | | |
|----------------------|------------------|-------|------------------|
| | Parameter | Value | Unit |
| $\Sigma(I/A)$ | core factor (C1) | 0.581 | mm ⁻¹ |
| Ve | effective volume | 18800 | mm ³ |
| Le | effective length | 105 | mm |
| Ae | effective area | 180 | mm ² |
| Amin | minimum area | 141 | mm ² |
| m | EC52/24/14 | ≈ 56 | g/pcs |

Dimensions for product: EC52/24/14

| | Nom | Tol + | Tol - | Max | Min | Unit |
|----------|-------|-------|-------|-------|-------|------|
| A | 52.20 | 1.30 | 1.30 | 53.50 | 50.90 | mm |
| B | 33.00 | 0.90 | 0.90 | 33.90 | 32.10 | mm |
| C | 13.40 | 0.35 | 0.35 | 13.75 | 13.05 | mm |
| D | 24.20 | 0.15 | 0.15 | 24.35 | 24.05 | mm |
| E | 15.90 | 0.40 | 0.40 | 16.30 | 15.50 | mm |
| F | 13.40 | 0.35 | 0.35 | 13.75 | 13.05 | mm |

Inductance factor

| Material | Value | Tol + | Tol - | Unit |
|----------|-------|-------|-------|-----------------------|
| 3C91 | 5300 | 25% | 25% | nH/turns ² |
| 3C94 | 4000 | 25% | 25% | nH/turns ² |

Power loss: 3C91

| Measuring conditions | | | Max | Unit |
|----------------------|--------|-------|-------|-------|
| 100 kHz | 200 mT | 60 °C | 9.400 | W/set |

Power loss: 3C94

| Measuring conditions | | | Max | Unit |
|----------------------|--------|--------|-------|-------|
| 100 kHz | 200 mT | 100 °C | 9.400 | W/set |

Bsat

| Measuring conditions | | | Material | Min | Unit |
|----------------------|---------|--------|----------|-----|------|
| 25 kHz | 250 A/m | 100 °C | 3C91 | 320 | mT |
| 25 kHz | 250 A/m | 100 °C | 3C94 | 320 | mT |

Core **EC52/24/14**

| Accessories | | |
|---------------|-----------------------------|---------------|
| Ordering name | Description | Ordering code |
| BPL4-EC52-C | Base plate, 4 holes | 432202127221 |
| CLM/U-EC52-C | Clump, U shape with thread | 432202127211 |
| CP-EC52-1S | Coil former, termoplastic | 432202103721 |
| PIN/H-EC | Insertable pins, horizontal | 432202103741 |
| PIN/V-EC52 | Insertable pins, vertical | 433500043031 |
| PIN-EC | Insertable pins | 432202103751 |