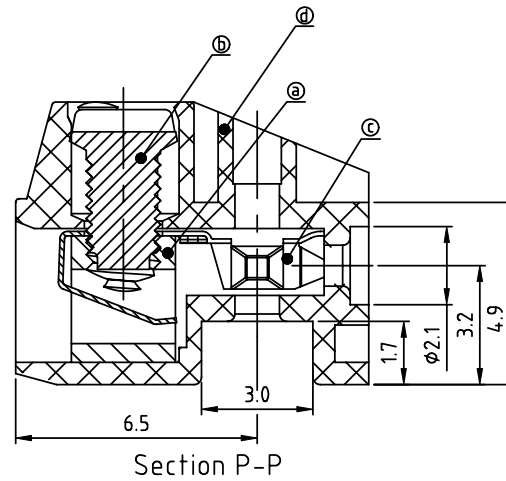
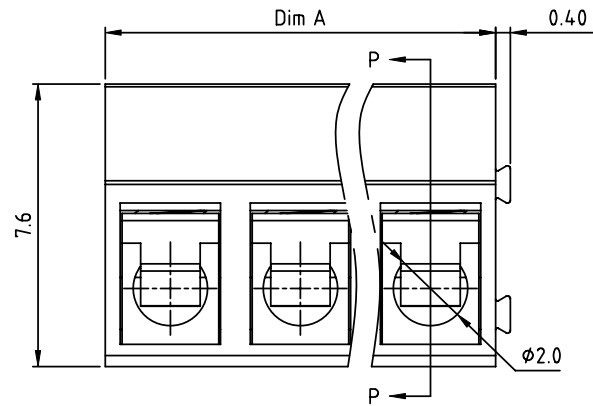
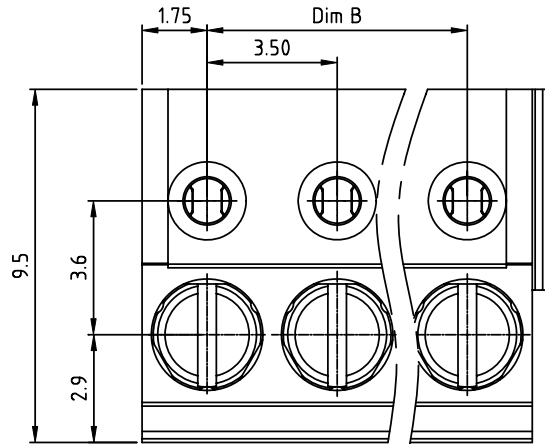


| | |
|----------------|---------|
| PRODUCT NUMBER | PITCH |
| EHxx21x000J0G | 3.50 mm |



Material:

- Item Ⓐ Clamp: Brass(Cuzn) Ni plated
- Item Ⓑ Terminal screw: Steel Zinc plating;“-”slot type
- Item Ⓒ Female contact: High conductivity copper
- Item Ⓓ Terminal(housing): Thermoplastic (UL94 V-0)

Electrical cULus

- Voltage rating: 150VAC
- Current rating: 10A
- Wire range:
- Solid wire(AWG): 16-28
- Stranded wire(AWG):16-28
- Torque(Lb-In): 1.1
- Screw: M2
- Wire strip length: 5-6mm
- Withstanding Voltage: 1.3KV
- Operating temperature: -40°C to +115°C
- Safety Approval: cULus

PART NO.: EH xx 21 x 0 00J0 G

N = Number of poles
 Dim A=Nx3.5
 Dim B=(N-1)x3.5

| poles | Dim A | Dim B |
|--------|-------|-------|
| 2-6p | ±0.15 | ±0.15 |
| 7-12p | ±0.20 | ±0.20 |
| 13-18p | ±0.25 | ±0.25 |
| 19-24p | ±0.30 | ±0.25 |

| End Stackable | No. of poles | Color | RoHS compliant (lead<4%) In copper Alloy |
|---------------|--------------|---------------------|--|
| 0 | 2 | Black (RAL9005) | |
| 02 | 2 poles | Red (RAL3001/D) | |
| 03 | 3 poles | Orange(RAL2011/P) | |
| ... | ... | 4 Yellow(RAL1018/A) | |
| 24 | 24 poles | 5 Green(RAL6018/T) | |
| | | 6 Blue (RAL5015/A) | |
| | | 8 Grey(RAL7035/D) | |
| | | 9 White(RAL1102) | |
| | | C Green(RAL6018/U) | |

| | | | | | |
|--------------------|----------------|---------------------------------------|----------------------|------------|---|
| mat'l. code | | surface ASME Y14.5 ✓ | tolerance ASME Y14.5 | projection | product family |
| ltr ecn no dr date | | tolerances unless otherwise specified | | MM | TERMINAL BLOCK |
| angles | | X.±0.5 | | scale | title |
| X*±1* | | X.X±0.3 | | | TERMINAL BLOCK |
| dr | | EVIN ZHONG 041614 | | | PLUGGABLE,180D WIRE INLET,END STACKABLE |
| enrg | | EVIN ZHONG 041614 | | | dwg no sheet 1 of 1 size |
| chr | | HANKE FENG 041614 | | | EHxx21x000J0G A4 |
| appd | | SHI JUN 041614 | | | type CUSTOMER Drawing |
| sheet index | revision sheet | A 1 | | | |