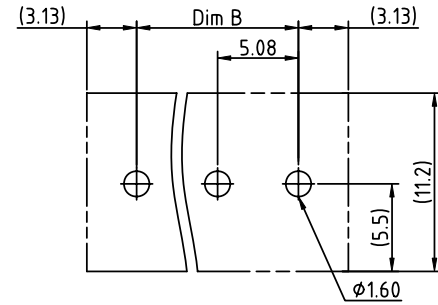
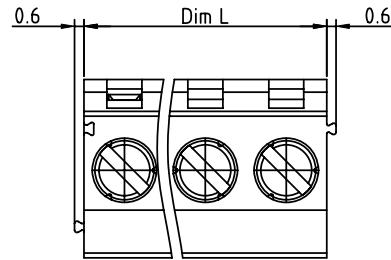
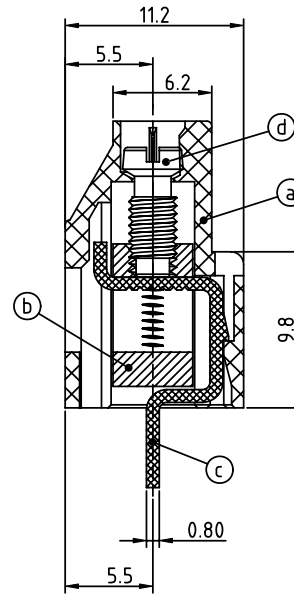
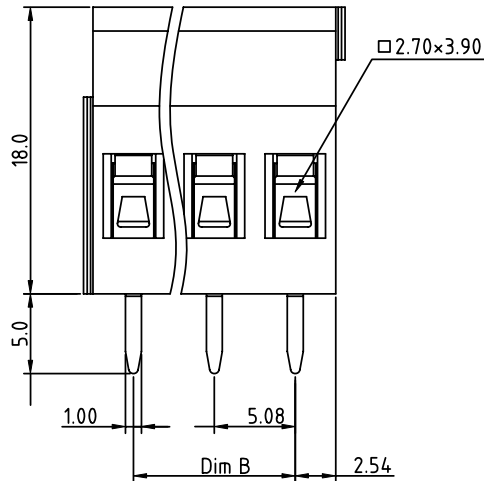


PRODUCT NUMBER	PITCH
EKxx21x000JOG	5.08 mm



RECOMMENDED P.C.B LAYOUT
TOP VIEW



Material:

- ItemⒶTerminal housing :Thermoplastic (UL 94V-0)
- ItemⒷClamp : Brass ,Ni plated
- ItemⒸSolder pin : Brass ,Tin plated
- ItemⒹTerminal screw: Steel Zinc plating"- "slot type

Electrical cULus

- Voltage rating: 300VAC
- Current rating: 15A
- Wire range:
- Solid wire(AWG): 12-30
- Stranded wire(AWG): 12-30
- Torque(Lb-In): 4.3
- Screw: M3
- Wire strip length: 6-7mm
- Withstanding Voltage: 1.6KV
- Operating temperature: -40°C to +115°C
- Soldering temperature: 260°C±5°C/5 Sec
- Safety Approval:

N=NUMBER OF POLES

Dim L=N×5.08
Dim B=(N-1)×5.08

POLES	DimA&B Tolerance
2P-6P	±0.15
7P-12P	±0.25
13P-18P	±0.35
19P-24P	±0.40

PART NO.: EK xx 2 1 x 0 00J0 G

End stackable	0 Black (RAL9005)	RoHS compliant
No. of poles	2 Red (RAL3001/D)	(lead<4%)
02 2 poles	3 Orange(RAL2011/P)	In copper Alloy
03 3 poles	4 Yellow(RAL1018/A)	
...	5 Green(RAL6018/T)	
24 24 poles	6 Blue (RAL5015/A)	
	8 Grey(RAL7035/D)	
	9 White(RAL1102)	
	C Green(RAL6018/U)	

mat'l. code				surface ASME Y14.5	tolerance ASME Y14.5	projection 	product family TERMINAL BLOCK	
ltr	ecn	no	dr	tolerances unless otherwise specified		MM	title TERMINAL BLOCK	
				angles	X.±0.5		RISING CLAMP,180D WIRE INLET	
				flat	X.X±0.3	scale	sheet 1 of 1 size	
				X*±1"	X.XX±0.1		A4	
			dr	EVIN ZHONG	040814		EKxx21x000JOG	
			enrg	EVIN ZHONG	040814		sheet 1 of 1 size	
			chr	HANKE FENG	040814		A4	
			appd	SHI JUN	040814		CUSTOMER Drawing	
sheet index	revision	A						