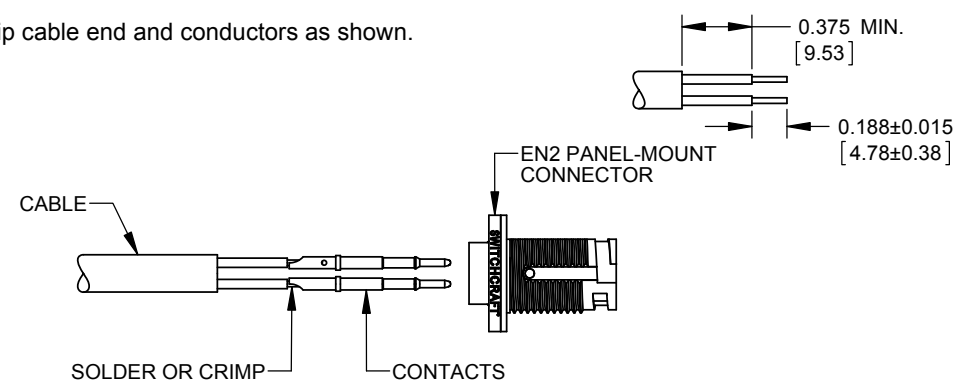


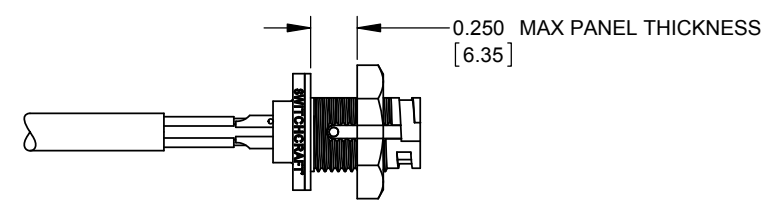
CONTACT ARRANGEMENTS
PANEL CONNECTOR REAR (WIRING SIDE) VIEW

EN2 PANEL CONNECTOR FIELD ASSEMBLY INSTRUCTIONS:

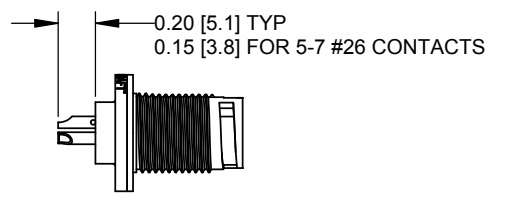
Strip cable end and conductors as shown.



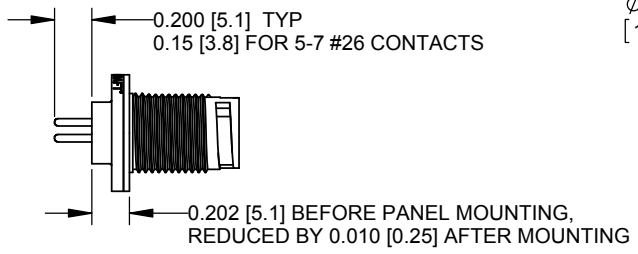
D Soldering or crimping conductors to contacts is recommended before insertion into connector. If crimping, use hand or pneumatic crimp tool with crimp positioner per contact size. If soldering after contacts are inserted in the connector, limit exposure of contacts to soldering iron temperature to 4 sec. maximum. Soldering iron temperature should not exceed 650°F (343°C).



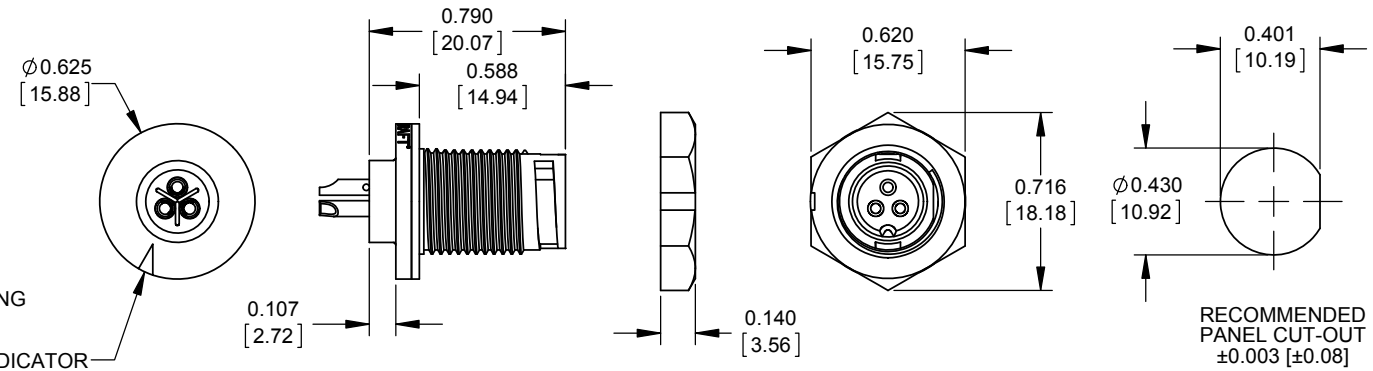
Insert wired contacts into connector housing using an insertion tool and per contacts arrangements. Align and install connector into panel cut-out. Tighten hex nut 5-6 in-lb.



SOLDER OR CRIMP TYPE CONTACTS



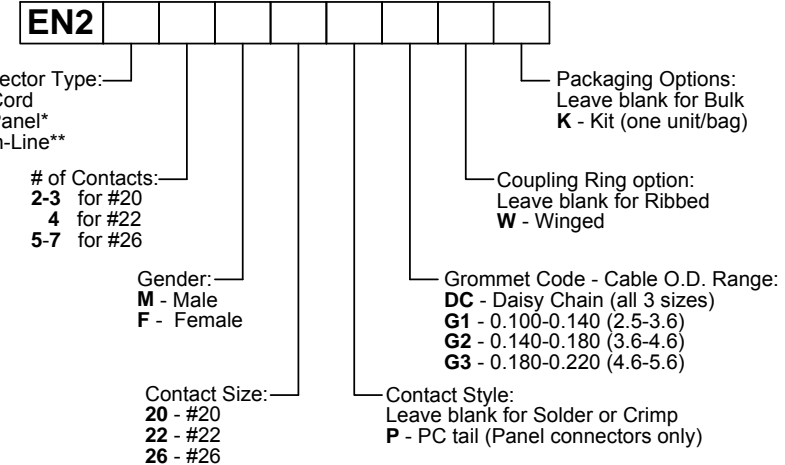
PC TAIL TYPE CONTACTS



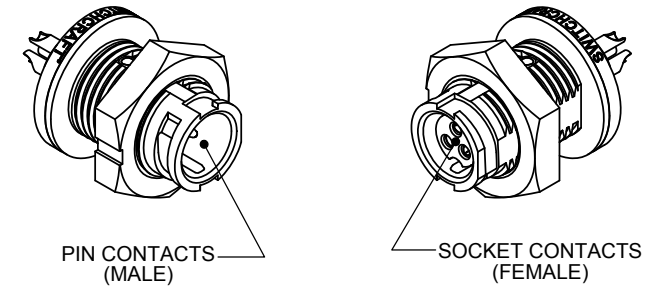
ALL DIMENSIONS FOR REFERENCE ONLY

CUSTOMER DRAWING

PART NUMBER SCHEME:



* for mating Cord connectors refer to EN2C SERIES drawing.
** Mating In-Line connectors not currently available.



SPECIFICATIONS:

MECHANICAL
Life: 600 cycles minimum
Vibration: Mil-Std 202G Method 201A
Hex Nut Tongue: 5-6 in-lb

ELECTRICAL
Voltage Rating: 250 V AC/DC for 2 contact arrangement
125 V AC/DC for 3-7 contact arrangements
Insulation Resistance: 1000 mΩ minimum
Contact Resistance: 10 mΩ maximum
Current Rating: Refer to Current Rating Table

ENVIRONMENTAL
Operating Temperature Limits: -40°C to +85°C (-40°F to +185°F), see Current Rating Table.
Moisture Resistance: Mil-Std 202G Method 106G
Insulation Resistance: Mil-Std 202G Method 302
Thermal Shock: Mil-Std 202G Method 107G
Salt Atmosphere (Corrosion): Mil-Std 202G Method 101E
Wear/tight Ratings:
IP16, IP18, IP66, IP67, IP68 per IEC60529
NEMA 250 (6P), CFR 46 Part 110.20

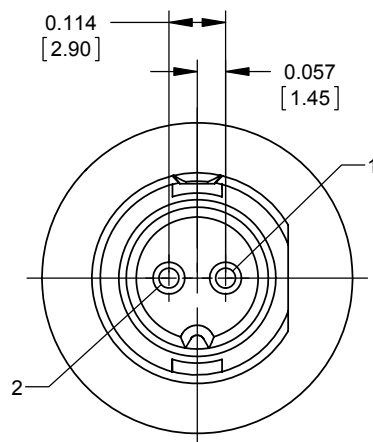
MATERIAL
Connector Housing ----- Thermoplastic, black
Hex Nut: ----- Thermoplastic, black
Coupling Ring ----- Thermoplastic, black
Cable Clamp ----- Thermoplastic, black
Handle (back-shell) ----- Thermoplastic, black
Insulator ----- Elastomer, black
Seal Grommet ----- Elastomer, black
Contacts ----- Copper Alloy, plated

Contacts	Wire (awg)	Current Rating (A) at Operating Temperature (°C)				
		45°C max.	55°C max.	65°C max.	75°C max.	85°C max.
2 #20	20	7	6	5	4	3.5
	22	5.5	5	4	3	2.5
	24	5.5	5	4	3	2.5
	26	4	3.5	2.5	2	1
3 #20	20	6.5	5.5	4.5	3.5	2
	22	5	4.5	3.5	3	1.5
	24	5	4.5	3.5	3	1.5
	26	3	2.5	2	1.5	0.5
4 #22	20	5	4.5	3.5	3	1.5
	22	4.5	4	3	2	1
	24	4.5	4	3	2	1
	26	3	2.5	2	1.5	0.5
5-7 #26	26	3	2.5	2	1.5	1
	28	2.5	2	1.5	1	0.5
	30	2	1.5	1	0.5	0.5

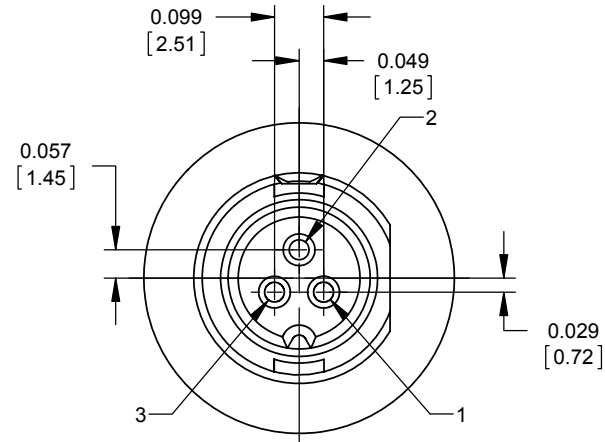
TOOL	TOOL TYPE	POSITIONER	CONTACT SIZE	WIRE SIZES
EN3CR	HAND CRIMP TOOL	EN2POS20	20 and 22	20 and 22 AWG
		EN3POS26	26	26, 28, and 30 AWG
EN3CRAUTO	PNEUMATIC CRIMP TOOL	EN2POS20	20 and 22	20 and 22 AWG
		EN3POS26	26	26, 28, and 30 AWG
EN2CRL	HAND CRIMP TOOL LARGE FRAME	EN2POS20L	20 and 22	20, 22, 24, and 26 AWG
EN2CRAUTOL	PNEUMATIC CRIMP TOOL LARGE FRAME			
EN3INS20	CONTACT	--	20 and 22	--
EN3INS26	INSERTION/EXTRACTION	--	26	--

REV	ECO NUMBER	DATE	BY	APVD
0D	SPECS UPDATED	10/03/13	PNK	SRC
0C	SPECS UPDATED	09/20/12	PNK	SRC
0B	TOOLS REVISED	05/14/12	PNK	*
0A	PRELIMINARY	02/09/12	PNK	*
REVISIONS				

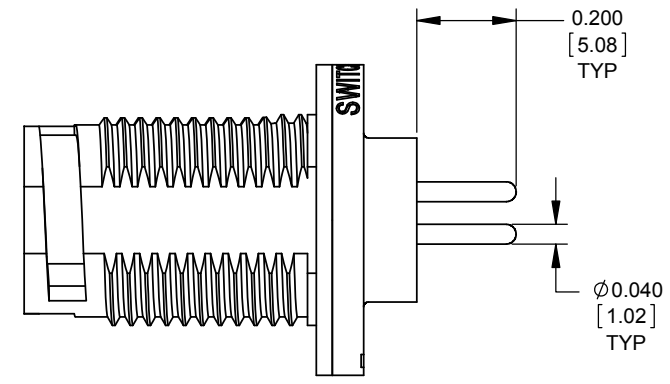
SIZE	WIDTH	MULT	LBS/M	TEMPER
UNLESS OTHERWISE SPECIFIED				
1. ALL DIMENSIONS IN INCHES - TWO PLACE DECIMALS ±0.02 - THREE PLACE DECIMALS ±0.005				
FINISH	SCALE		MATERIAL	
SPEC No.	1.5:1		SPEC No.	
DATE DRAWN	BY	CHKD	APVD	Switchcraft®
02/09/12	PNK	PNK	SRC	
NAME	PART No.			REV
EN2P SERIES CONNECTORS, RoHS	EN2P SERIES			0D



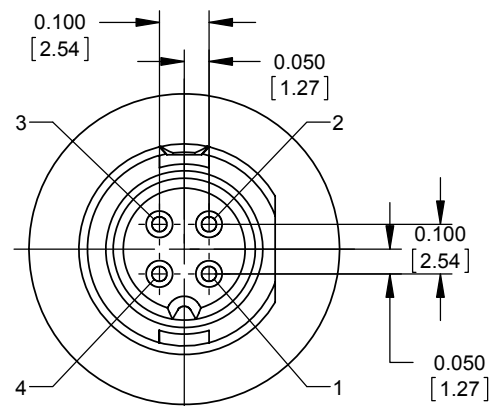
2-#20



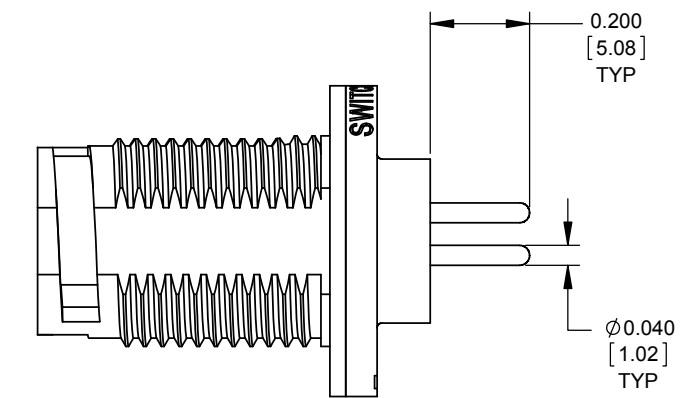
3-#20



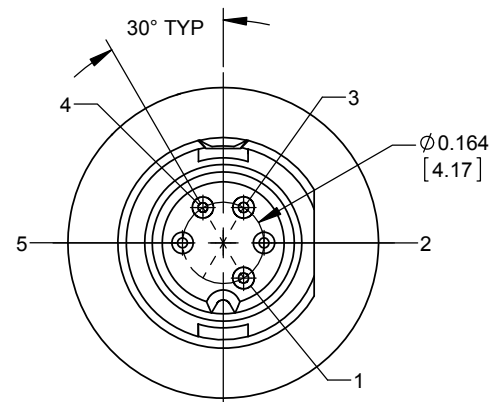
**2 and 3-#20
PIN ARRANGEMENTS
(0.046 [1.17] RECOMMENDED PCB HOLE SIZE)**



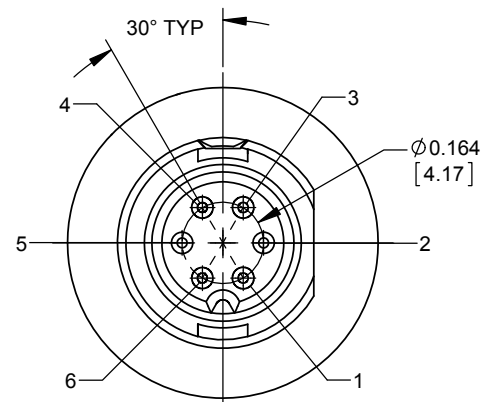
4-#22



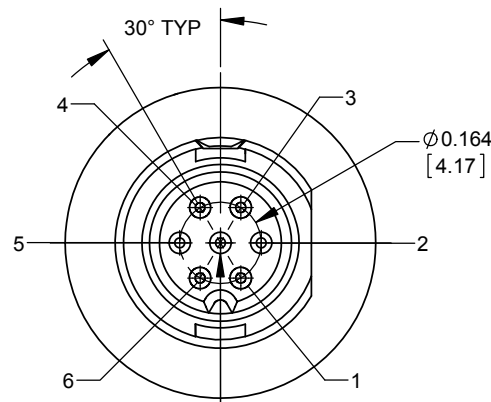
**4-#22
PIN ARRANGEMENT
(0.046 [1.17] RECOMMENDED PCB HOLE SIZE)**



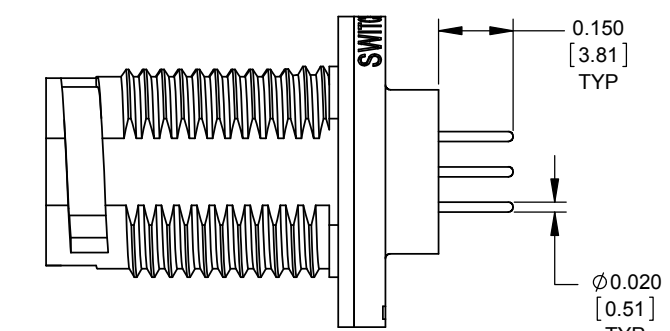
5-#26



6-#26



7-#26



**5, 6, and 7-#26
PIN ARRANGEMENTS
(0.026 [0.66] RECOMMENDED PCB HOLE SIZE)**

**CONTACT ARRANGEMENTS
PANEL CONNECTOR FRONT VIEW (PCB COMPONENT SIDE)
(RECOMMENDED PCB HOLE LAYOUT WITHIN ±0.001 [0.025])**

CUSTOMER DRAWING

UNLESS OTHERWISE SPECIFIED					THIS DRAWING DESCRIBES A DESIGN CONSIDERED PROPRIETARY IN NATURE, DEVELOPED AND MANUFACTURED BY SWITCHCRAFT INC. AND IS RELEASED ON A CONFIDENTIAL BASIS FOR IDENTIFICATION PURPOSES ONLY.				
1. ALL DIMENSIONS IN INCHES - TWO PLACE DECIMALS ±0.02 - THREE PLACE DECIMALS ±0.005					SIZE	WIDTH	MULT	LBS/M	TEMPER
REV					FINISH		MATERIAL		
ECO NUMBER					SPEC No.		SPEC No.		
DATE					FIRST USED ON		SCALE		
BY					DATE DRAWN		1.5:1		
APVD					02/09/12		02/09/12		
REVISIONS					NAME		PART No.		
DO NOT SCALE DRAWING					EN2P SERIES CONNECTORS, RoHS		EN2P SERIES		
SolidWorks CAD File					SHEET 2 OF 2		REV 0D		