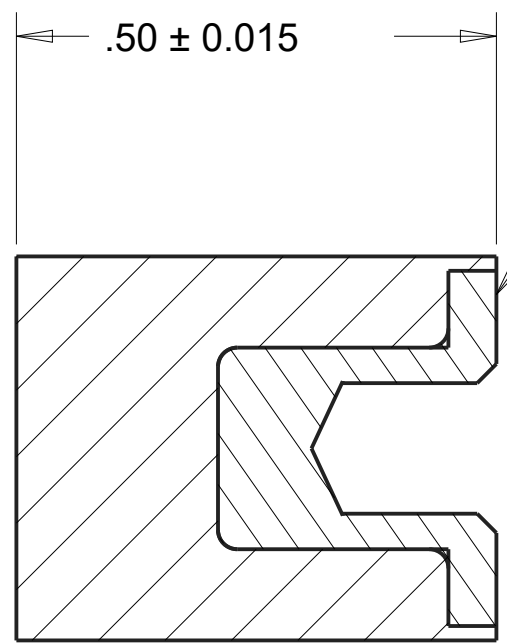
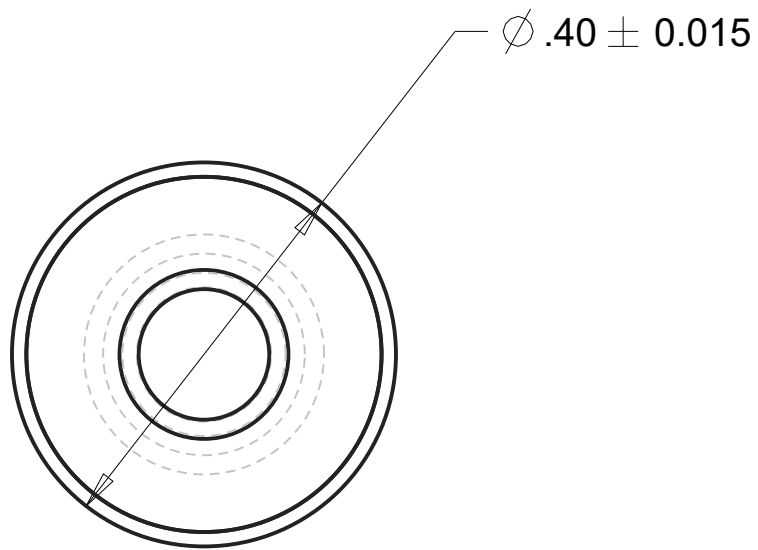
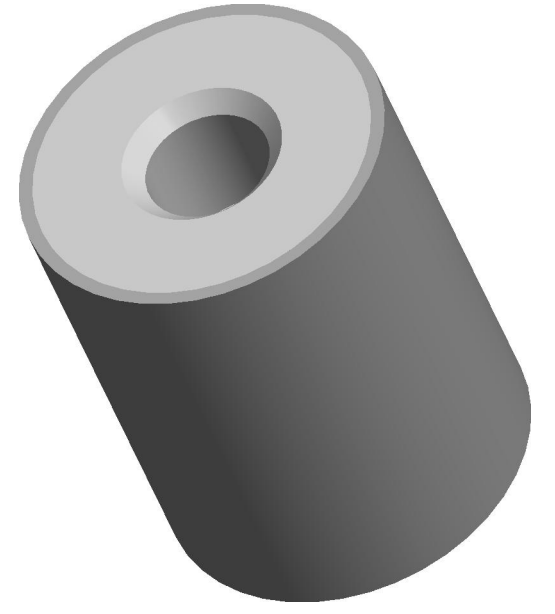




REVISIONS				
DRAWN	REV	DESCRIPTION	DATE	APPROVED
CP	01	INITIAL DESIGN	6/24/17	MS



GROUP 2 FEMALE  
INSERT #6-32 UNC-2B



SECTION A-A

NOTES:  
1. CONTACT AREAS MUST BE 100% BONDED.

INSERTS:  
FEMALE INSERT P/N: 021-1426  
MATERIAL: S.A.E 1018 STEEL  
FOR COATING DETAILS, SEE INSERT DRAWING.

MATERIAL:	AEARO TECHNOLOGIES LLC * a 3M company		
ISOLOSS SL-20300	QUALITY CONTROL: MUST COMPLY WITH AEARO TECHONOLGIES LLC SUPPLIER QUALITY MANUAL REQUIREMENTS	TITLE	
UNITS: IN		SANDWICH MOUNT, GROUP 2, FEMALE-BLANK, ISOLOSS SL-20300	
	NOTES: ANY FEATURE NOT DIMENSIONED IN PRINT MUST BE VISIBLY PRESENT, UTILIZE 3D CAD FOR CREATION	SIZE	DWG NO.
		B	FB-200-UC06-SL20300