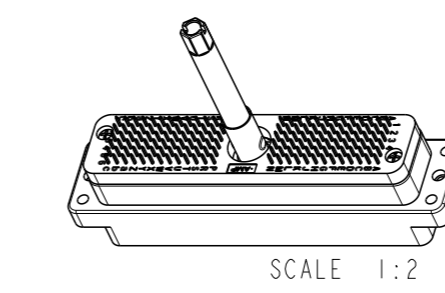
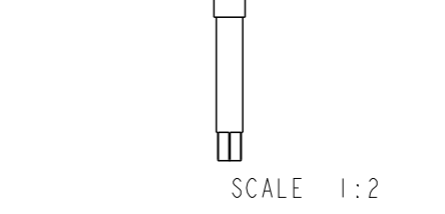
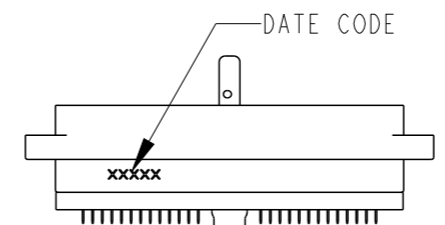
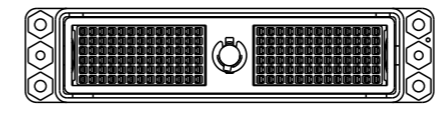
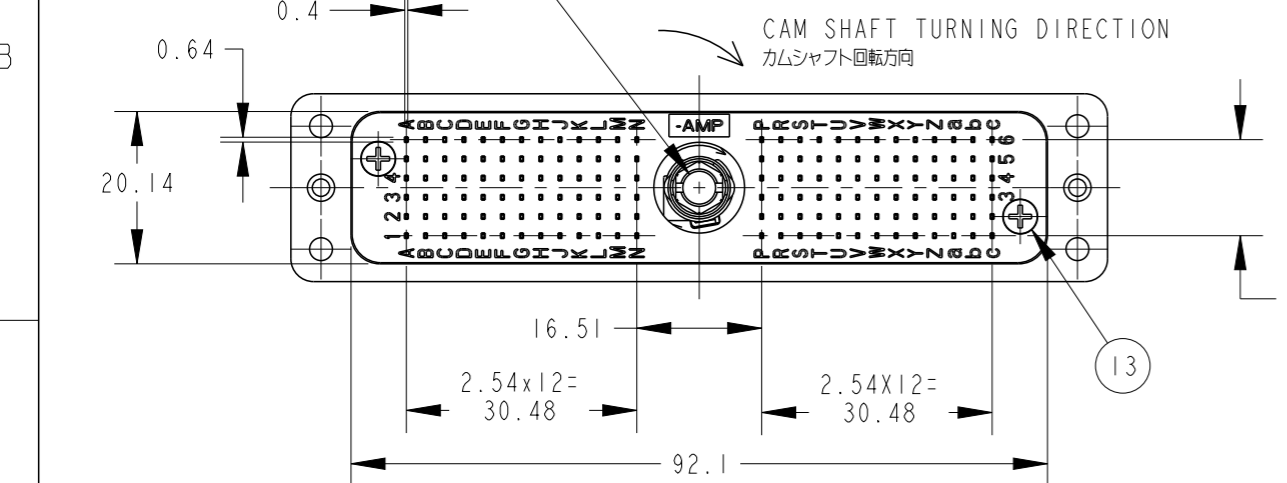
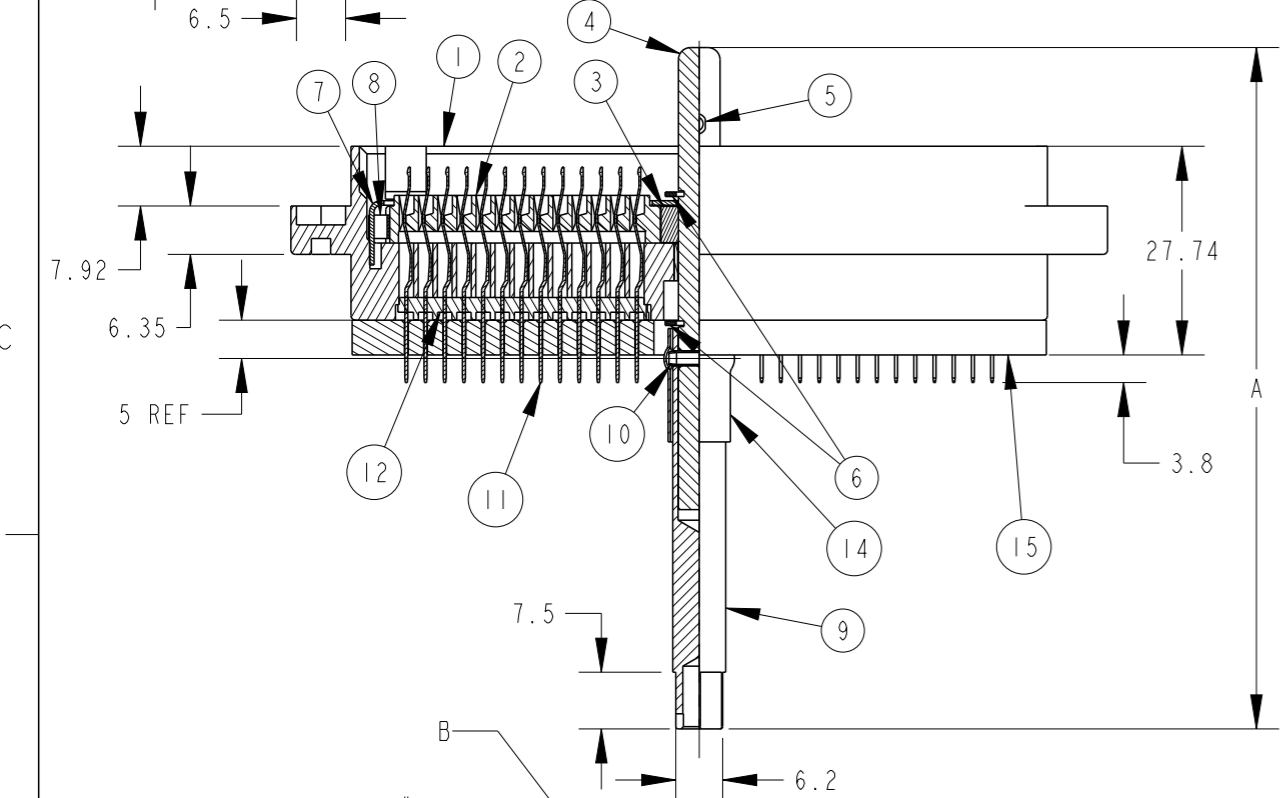
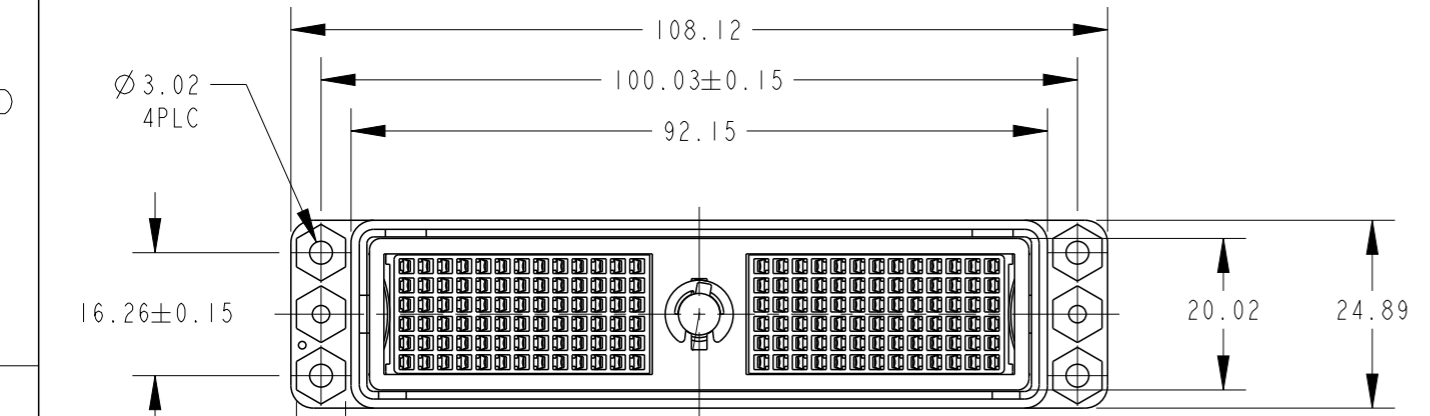


THIS DRAWING IS UNPUBLISHED. RELEASED FOR PUBLICATION 2006  
 © COPYRIGHT 2006 ALL RIGHTS RESERVED.

| LOC | DIST | REVISIONS              |           |     |      |
|-----|------|------------------------|-----------|-----|------|
| P   | LTR  | DESCRIPTION            | DATE      | DWN | APVD |
| J   | -    | -1, -2: AS SHOWN<br>本図 |           |     |      |
|     | A    | RELEASED               | 30JAN2006 | K.S | M.K  |
|     | B    | REVISED                | 15JAN2009 | T.K | M.K  |
|     | BI   | REVISED                | 05AUG2009 | S.N | M.K  |
|     | C    | REVISED                | 12DEC2013 | T.K | M.K  |



| ITEM | 名前<br>DESCRIPTION                  | 数量<br>QTY | 材質<br>MATERIAL             | 仕上<br>FINISH                     | 備考<br>REMARK |
|------|------------------------------------|-----------|----------------------------|----------------------------------|--------------|
| 15   | アダプタ スタビライザ<br>ADAPTER STABILIZER  | 1         | 合成樹脂<br>PLASTIC            | 無し<br>NONE                       | UL94V-0      |
| 14   | ヒートシュリンクチューブ<br>HEAT SHRINK TUBE   | 1         | VERSAFIT                   | 無し<br>NONE                       |              |
| 13   | タッピングスクリュー<br>TAPPING SCREW<br>L=8 | 2         | 鋼<br>STEEL                 | 3価 クロメート<br>TRIVALENT CHROMATE   |              |
| 12   | サポートハウジング<br>SUPPORT HOUSING       | 12        | 合成樹脂<br>PLASTIC            | 無し<br>NONE                       | UL94V-0      |
| 11   | コンタクト<br>0.64x0.4<br>CONTACT       | (156)     | ベリリウム銅<br>BERYLLIUM COPPER | ニッケル下地金メッキ<br>Au OVER Ni PL.     |              |
| 10   | スプリングピン<br>SPRING PIN              | 1         | 鋼<br>STEEL                 | 無し<br>NONE                       |              |
| 9    | エクステンションシャフト<br>EXTENSION SHAFT    | 1         | ステンレス鋼<br>STAINLESS STEEL  | 無し<br>NONE                       |              |
| 8    | リターンスプリング<br>RETURN SPRING         | 2         | ステンレス鋼<br>STAINLESS STEEL  | 無し<br>NONE                       |              |
| 7    | リテーナー<br>RETAINER                  | 1         | ステンレス鋼<br>STAINLESS STEEL  | 無し<br>NONE                       |              |
| 6    | リテーニングリング<br>RETAINING RING        | 2         | ステンレス鋼<br>STAINLESS STEEL  | 無し<br>NONE                       |              |
| 5    | カムシャフトピン<br>CAM SHAFT PIN          | 1         | ステンレス鋼<br>STAINLESS STEEL  | 無し<br>NONE                       |              |
| 4    | カムシャフト<br>CAM SHAFT                | 1         | ステンレス鋼<br>STAINLESS STEEL  | 無し<br>NONE                       |              |
| 3    | ベアリングカム<br>BEARING CAM             | 2         | りん青銅<br>PHOSPHOR BRONZE    | 無電解ニッケルメッキ<br>ELECTROLESS Ni PL. |              |
| 2    | アクチュエータ<br>ACTUATOR                | 2         | 合成樹脂<br>PLASTIC            | 無し<br>NONE                       | UL94V-0      |
| 1    | ハウジングプラグアッシー<br>HOUSING PLUG ASSY  | 1         | ナイロン樹脂<br>NYLON RESIN      | 無し<br>NONE                       | UL94V-0      |

1. CAM SHAFT, BY TURNING 100° IN THE DIRECTION INDICATED, MATED WITH RECEPTACLE.  
 2. PLATING: MATING AREA: 1.27µmMIN GOLD OVER 1.27µmMIN NICKEL  
 SOLDER LEG AREA: GOLD FLASH OVER 1.27µmMIN NICKEL  
 OTHERS: 1.27µmMIN NICKEL

RoHS COMPLIANT

|        |       |              |          |              |
|--------|-------|--------------|----------|--------------|
| 95g    | 72REF | NO.10-32 UNF | 98.7 REF | 6717501-2    |
| 93g    | 63REF | NO.12-24 UNC | 90 REF   | 6717501-1    |
| WEIGHT | C     | B            | A        | PARTS NUMBER |

THIS DRAWING IS A CONTROLLED DOCUMENT.

DWN K. SAKAI 30JAN2006  
 CHK E. TAKEMASA 30JAN2006  
 APVD M. KIMURA 30JAN2006

PRODUCT SPEC 108-5483  
 APPLICATION SPEC -

MATERIAL SEE TABLE FINISH SEE TABLE WEIGHT -

CUSTOMER DRAWING

**STE** TE Connectivity

NAME M-ZIF CONN PLUG ASSEMBLY  
 156P 3.8mm SOLDER TYPE

SIZE A3 CAGE CODE C-6717501 DRAWING NO. RESTRICTED TO -

SCALE 1:1 SHEET 1 OF 1 REV C