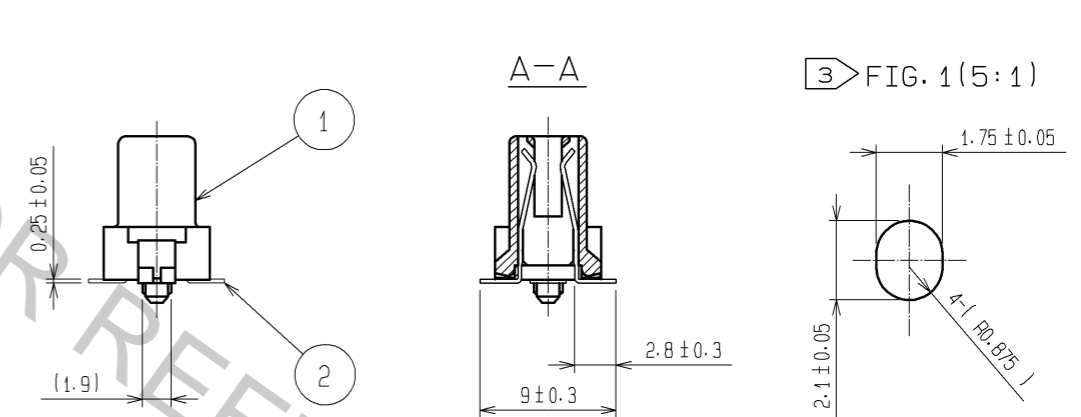
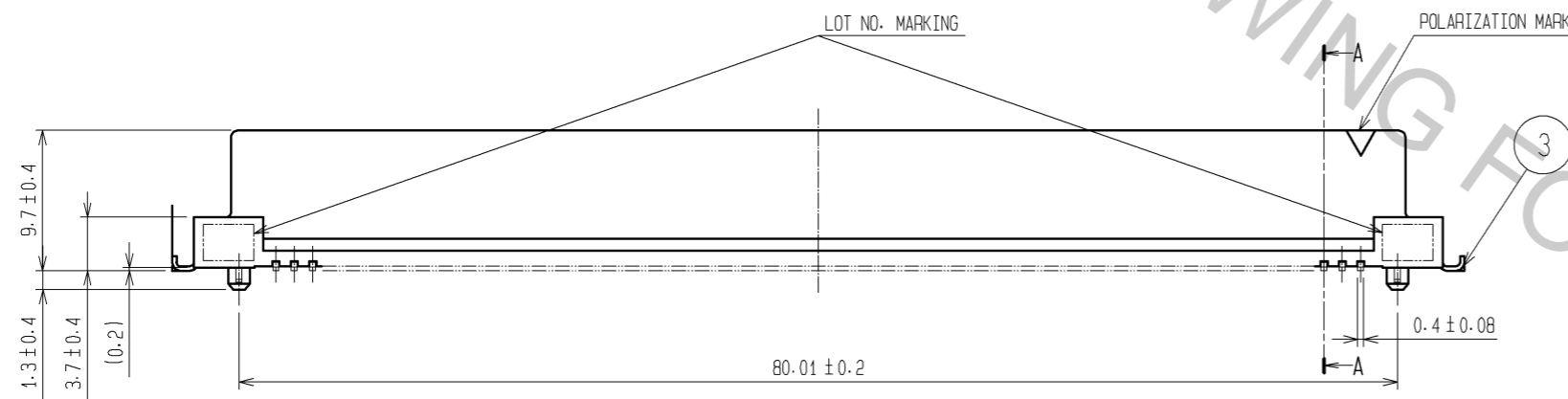
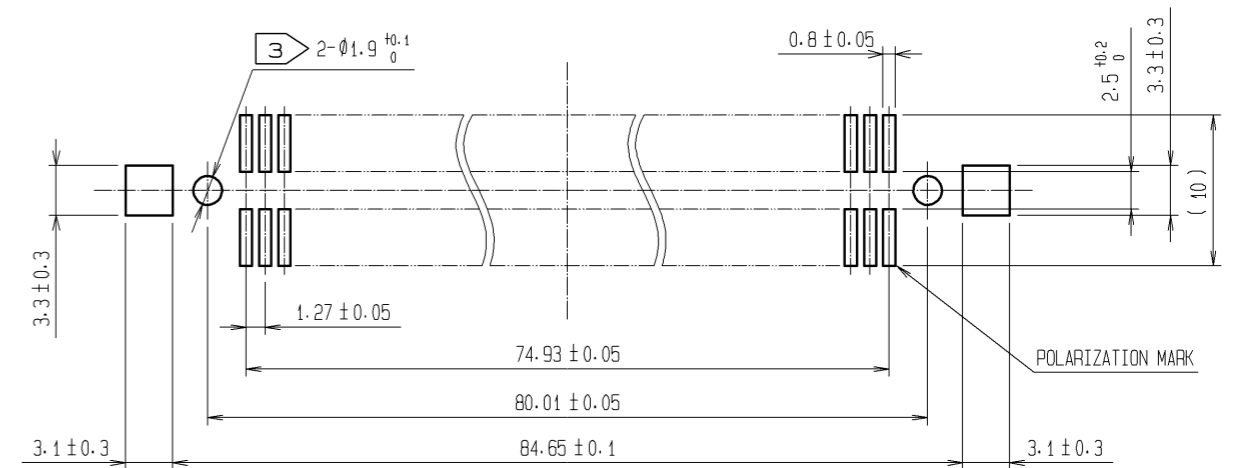


RECOMMENDED LAND PATTERN DIMENSION OF PCB (MOUNTING SIDE)



- NOTES
- 1 LEAD CO-PLANARITY SHALL BE 0.15 MAX.
 - 2 THE DIMENSIONS IN PARENTHESES ARE FOR REFERENCE.
 - 3 IN CASE OF THE AUTOMATED MOUNTING, RECOMMENDED HOLE DIAMETER OF BOSS IS SHOWN IN FIG. 1.

| 1 | PPS | LIGHT BROWN (UL94V-0) | 3 | BRASS | TIN-PLATING |
|--------------------------|----------|-----------------------|---------------------------------|-----------------|---------------------------------|
| | | | 2 | PHOSPHOR BRONZE | CONTACT AREA:GOLD 0.2µm min. |
| | | | | | LEAD AREA:TIN-PLATING 2µm min. |
| | | | | | UNDER PLATING:NICKEL 1.5µm min. |
| NO. | MATERIAL | FINISH . REMARKS | NO. | MATERIAL | FINISH . REMARKS |
| UNITS | mm | SCALE | 2 : 1 | COUNT | △ |
| DESCRIPTION OF REVISIONS | | DESIGNED | CHECKED | DATE | |
| APPROVED : HS. OKAWA | | 07. 10. 19 | DRAWING NO. EDC3-082427-21 | | |
| CHECKED : HS. OZAWA | | 07. 10. 19 | PART NO. FX2-120S-1. 27SVL (71) | | |
| DESIGNED : SY. KAMIGA | | 07. 10. 19 | CODE NO. CL572-2159-3-71 | | |
| DRAWN : HK. SUNADORI | | 07. 10. 19 | | | |