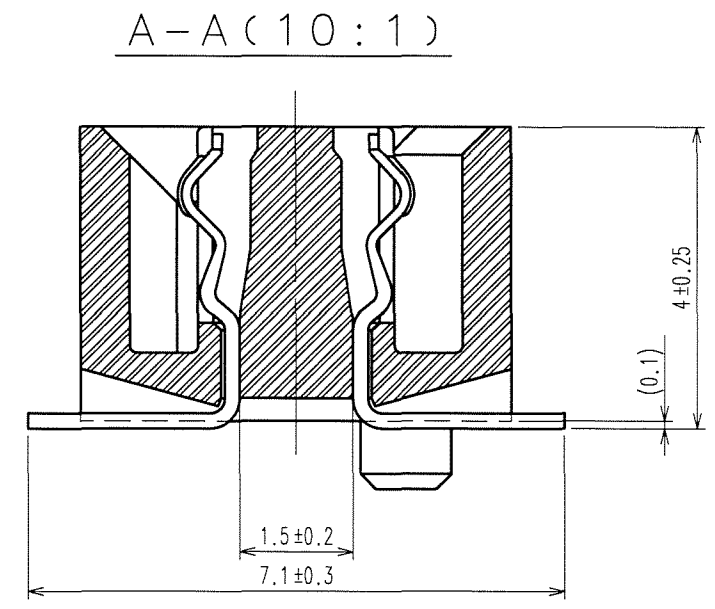
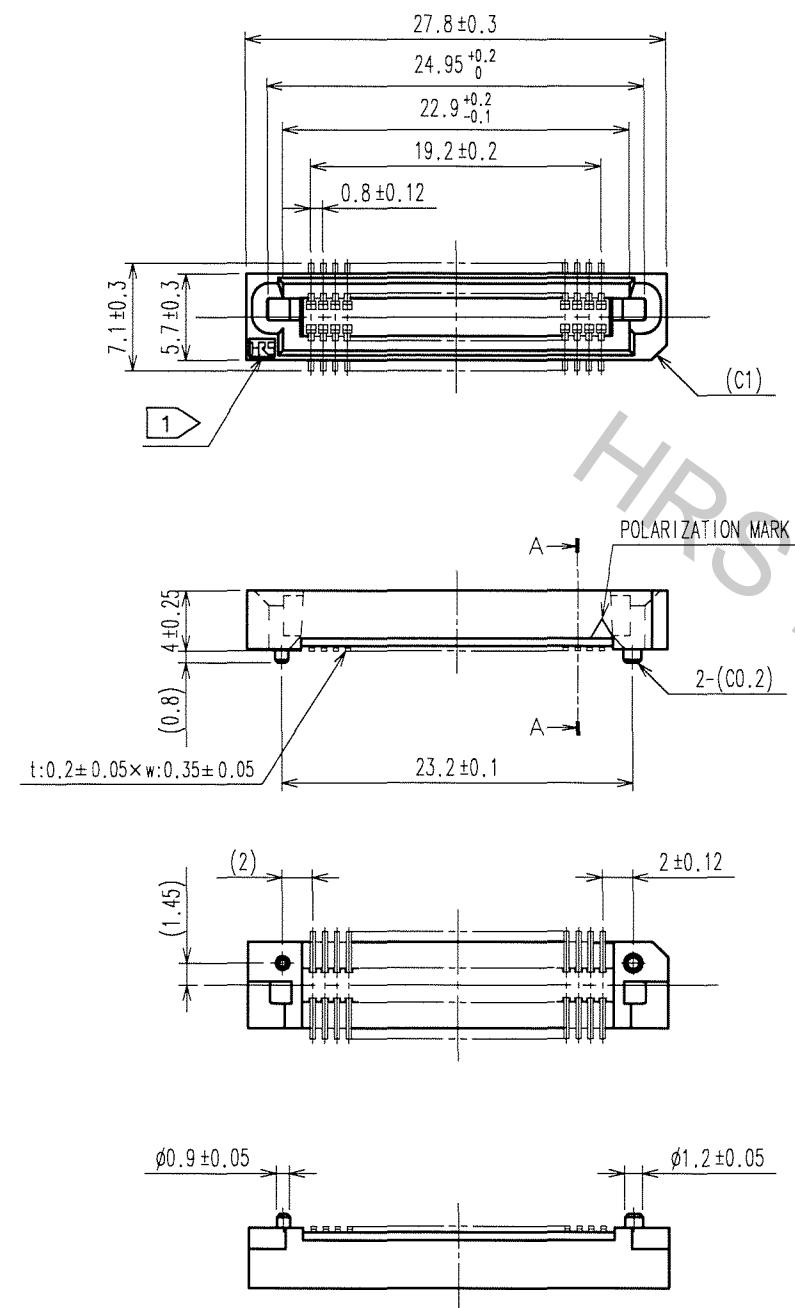


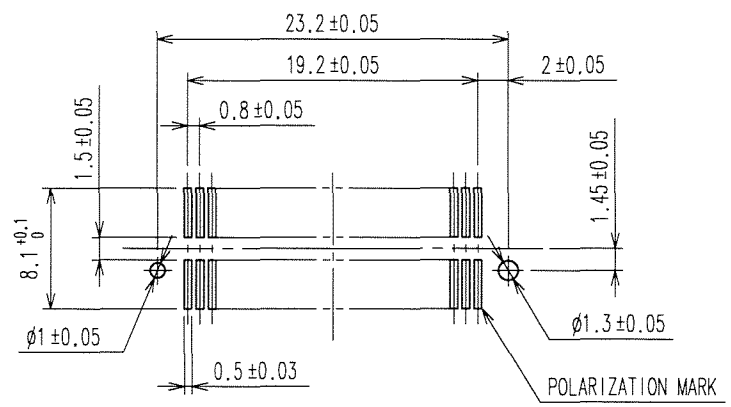
Apr.1.2017 Copyright 2017 HIROSE ELECTRIC CO., LTD. All Rights Reserved.

COUNT	DESCRIPTION OF REVISIONS	BY	CHKD	DATE	COUNT	DESCRIPTION OF REVISIONS	BY	CHKD	DATE
△				..	△				..
△				..	△				..
△				..	△				..



- NOTE
- ① HRS MARK SHALL BE OPTIONAL.
  - ② LEAD CO-PLANARITY SHALL BE 0.1mm MAX.
  - ③ TUBE PACKAGING SHALL BE APPLIED FOR THIS PRODUCT. SEE NEXT PAGE FOR DETAILS.
  - ④ THIS PRODUCT HAS TAPE FOR VACUUM PICKUP. SEE NEXT PAGE FOR DETAIL OF STICKING POSITION, ETC.
  - ⑤ FOR MODIFICATION, ETC, PREVENTIVE HOLE FOR SINK MARK MAY BE ADDED ACCORDING TO CIRCUMSTANCES.
  - ⑥ THE DIMENSIONS IN PARENTHESES ARE FOR REFERENCE.

RECOMMENDED LAND PATTERN DIMENSION OF PCB (MOUNTING SIDE)

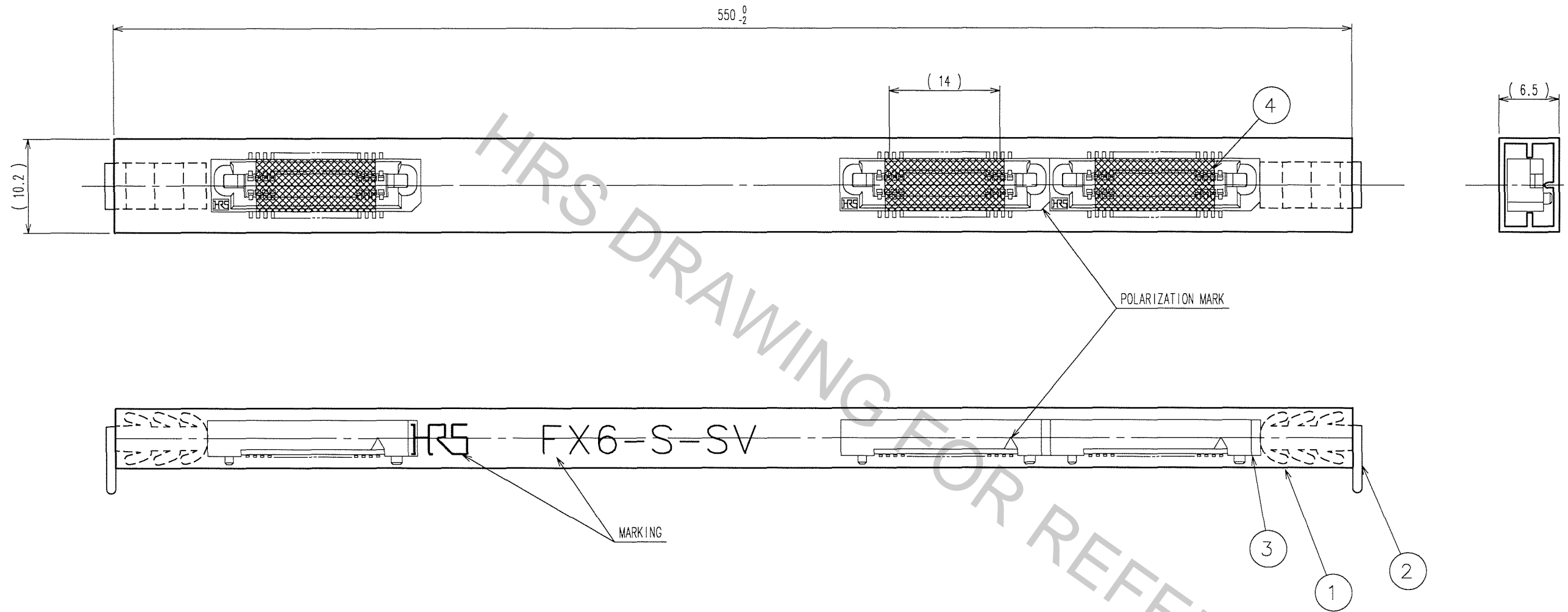


1	PPS	LIGHT BROWN (UL94V-0)	2	PHOSPHOR BRONZE	CONTACT AREA: GOLD 0.1μm min. LEAD AREA: TIN-PLATING 1μm min. UNDER PLATING: NICKEL 2μm min.
NO.	MATERIAL	FINISH, REMARKS	NO.	MATERIAL	FINISH, REMARKS
CODE NO. (OLD)		DRAWN	DESIGNED	CHECKED	APPROVED
		K.DOI	H. Doi	J.C. Ogawa	H. Okawa
		'06.10.05	'06.10.05	'06.10.10	'06.10.10
SCALE		DRAWING NO.		PART NO.	
2 : 1		EDC3-071640-21		FX6-50S-0.8SV(91)	
UNITS		HRS		CODE NO.	
mm		HIROSE ELECTRIC CO., LTD		CL576-0104-6-91	
					1/2

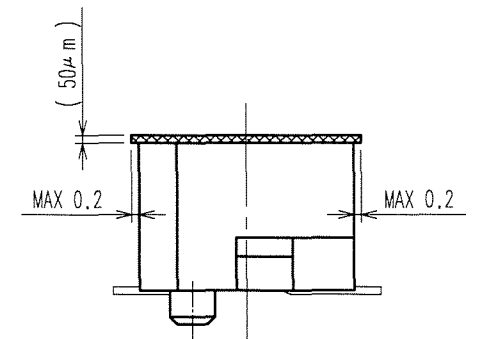
TO

Apr.1.2017 Copyright 2017 HIROSE ELECTRIC CO., LTD. All Rights Reserved.

5		6			7		8		
COUNT	DESCRIPTION OF REVISIONS	BY	CHKD	DATE	COUNT	DESCRIPTION OF REVISIONS	BY	CHKD	DATE
△				..	△				..
△				..	△				..
△				..	△				..



DETAIL FOR TAPE FOR VACUUM PICK-UP(5:1)



- NOTE 1 THE DIMENSIONS IN PARENTHESES ARE FOR REFERENCE.  
 2 ONE TUBE CONSISTS OF 19 PIECES.  
 3 REMOVE THE VACUUM PICK-UP TAPE AFTER MOUNTING THE CONNECTOR.

NO.	MATERIAL	FINISH, REMARKS	NO.	MATERIAL	FINISH, REMARKS
2	PVC	(STOPPER)	4	POLYIMIDE	(TAPE FOR VACUUM PICK-UP)
1	PVC	(TUBE)	3		(CONNECTOR)

CODE NO. (OLD) CL	DRAWN K.DOI '06.10.05	DESIGNED K. Doi '06.10.05	CHECKED K. Ogiwara '06.10.10	APPROVED H. Okawa '06.10.10	RELEASED
DRAWING NO. EDC3-071640-21		PART NO. FX6-50S-0.8SV(91)			
SCALE 2:1		UNITS mm		CODE NO. CL576-0104-6-91	

TO