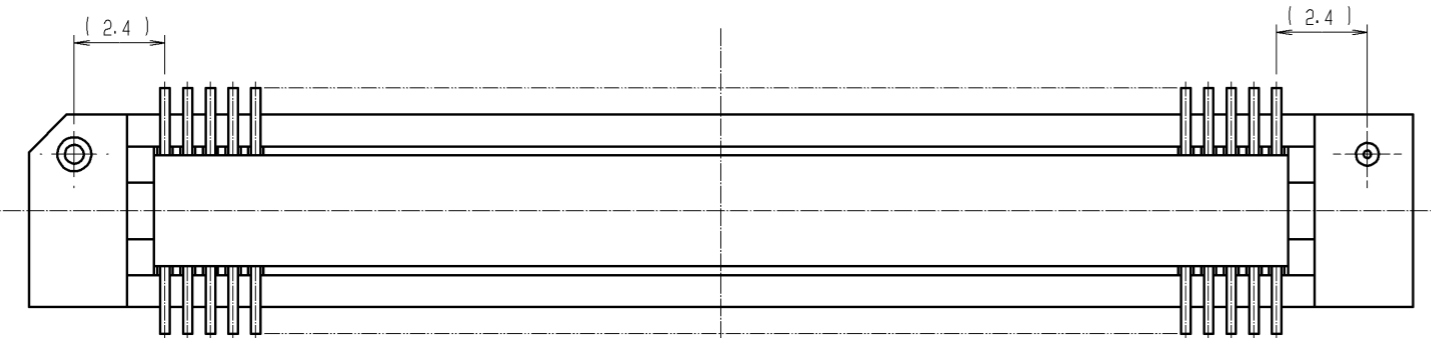
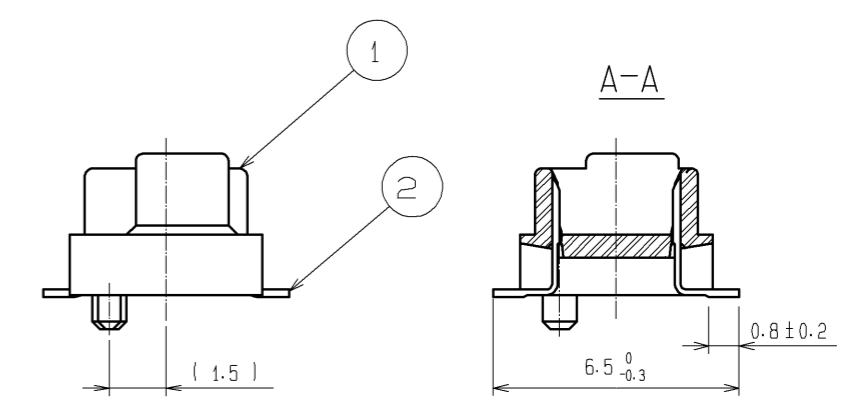
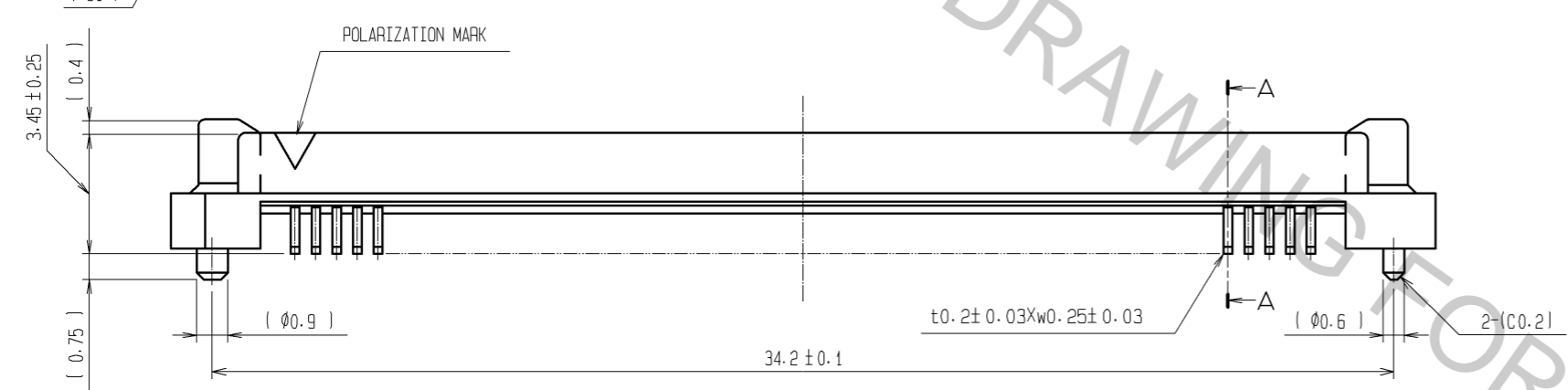
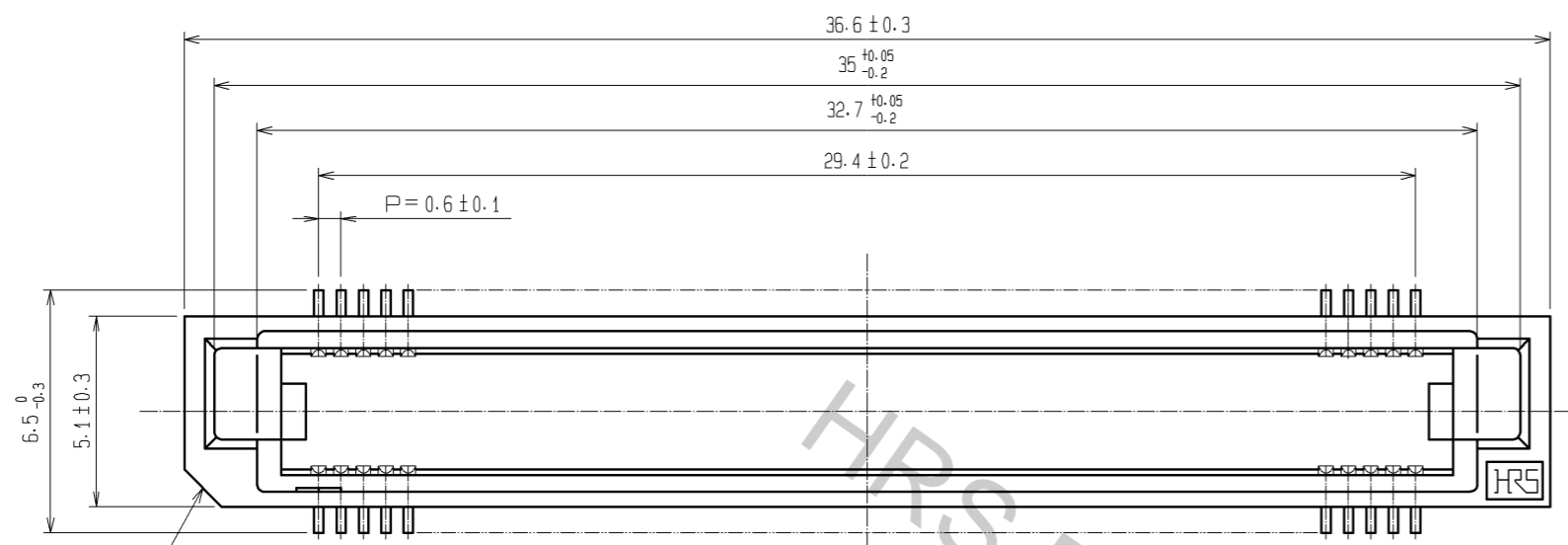
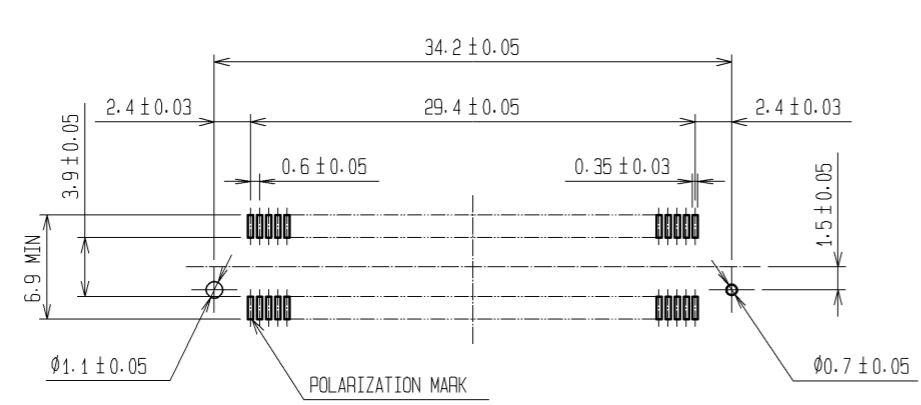


Apr.1.2017 Copyright 2017 HIROSE ELECTRIC CO., LTD. All Rights Reserved.



- NOTE 1. LEAD CO-PLANARITY SHALL BE 0.1mm MAX.  
 2. EMBOSSED CARRIER TAPE PACKAGING SHALL BE APPLIED TO THIS PRODUCT. SEE NEXT PAGE FOR DETAILS.  
 3. THIS PRODUCT HAS TAPE FOR VACUUM PICKUP. SEE NEXT PAGE FOR DETAIL OF STICKING POSITION, ETC.  
 4. FOR MODIFICATION, ETC. PREVENTIVE HOLE FOR SINK MARK MAY BE ADDED ACCORDING TO CIRCUMSTANCES.  
 5. THE DIMENSIONS IN PARENTHESES ARE FOR REFERENCE.

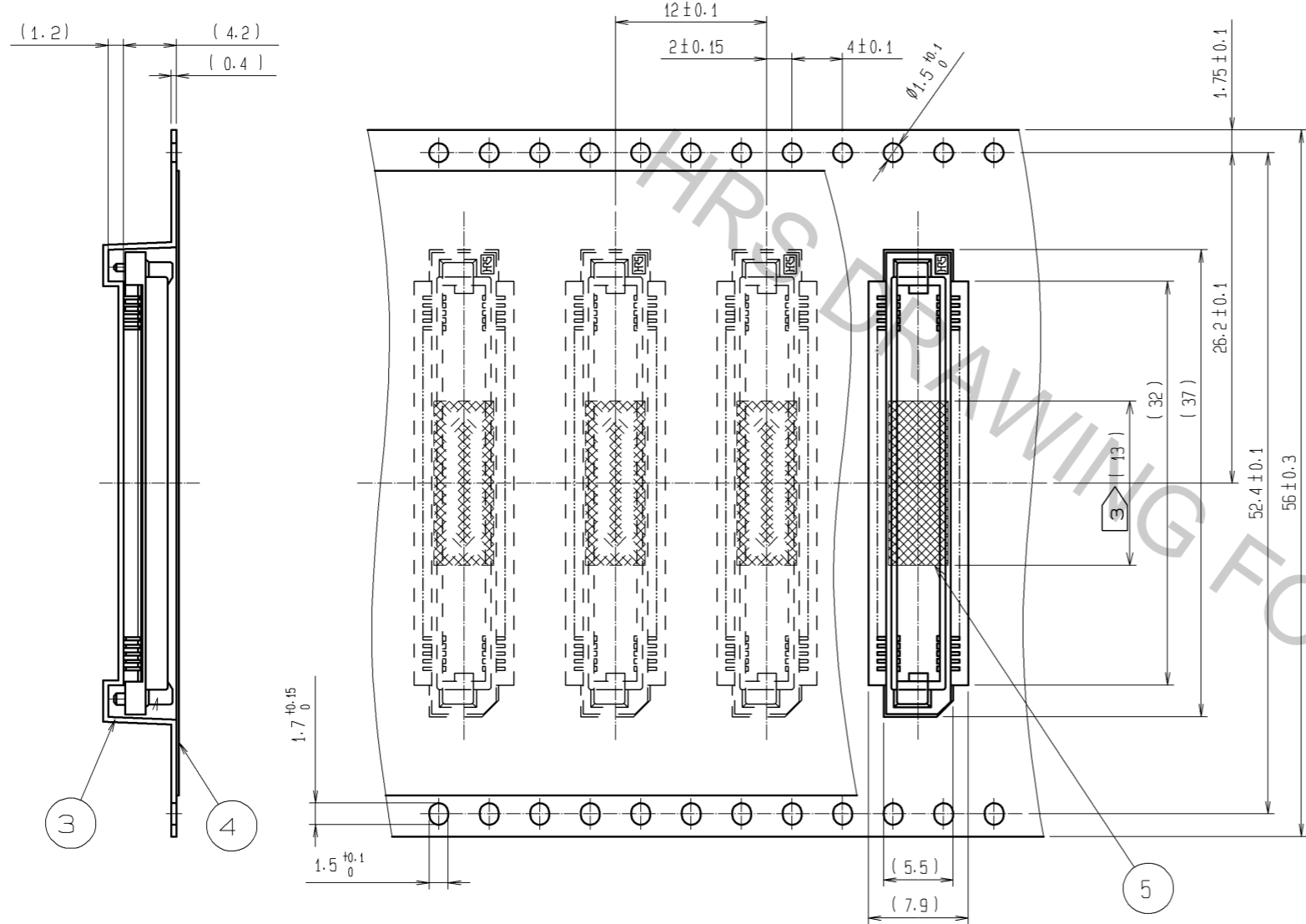
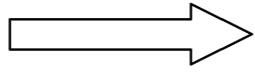
RECOMMENDED LAND PATTERN DIMENSION OF PCB (MOUNTING SIDE) (2:1)



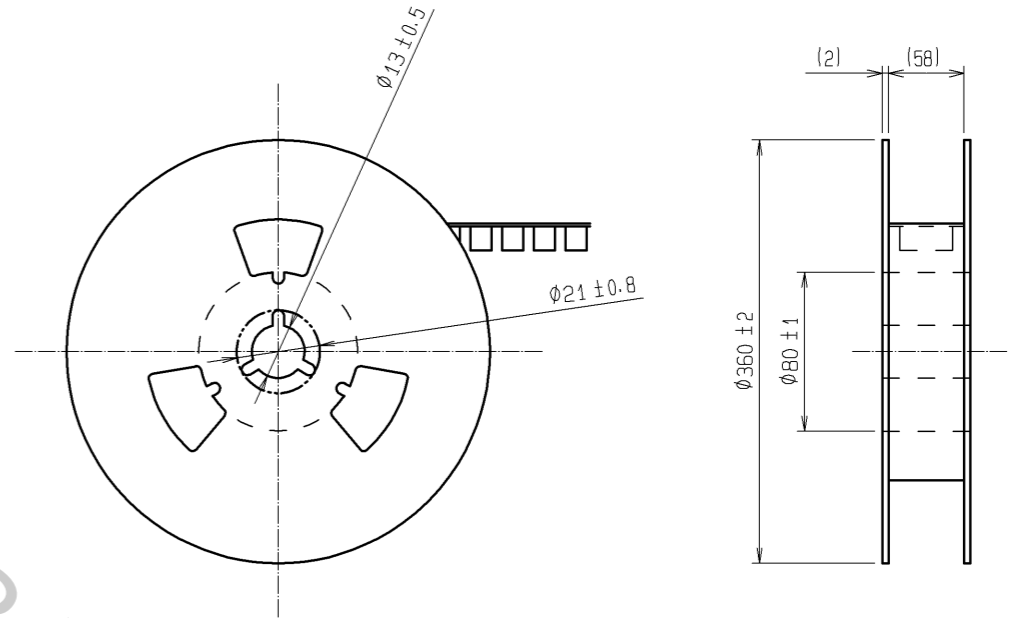
2	PHOSPHOR BRONZE	CONTACT AREA: GOLD 0.1µm min.	5	POLYIMIDE	(TAPE FOR VACUUM PICKUP)
		LEAD AREA: TIN-PLATING 1µm min.		POLYESTER	(TOP COVER TAPE)
		UNDER PLATING: NICKEL 1µm min.		POLYSTYRENE	(EMBOSSED CARRIER TAPE)
1	PPS	LIGHT BROWN (UL94V-0)	3		
NO.	MATERIAL	FINISH . REMARKS	NO.	MATERIAL	FINISH . REMARKS
UNITS mm		SCALE 5 : 1	COUNT	DESCRIPTION OF REVISIONS	
DESIGNED		CHECKED		DATE	
APPROVED : HS. OKAWA		07. 10. 05		DRAWING NO. EDC3-150571-23	
CHECED : HS. OZAWA		07. 10. 05		PART NO. FX8-100P-SV1(93)	
DESIGNED : KY. NAKAMURA		07. 10. 04		CODE NO. CL578-0045-1-93	
DRAWN : KY. NAKAMURA		07. 10. 04			

EMBOSSED CARRIER TAPE DIMENSION (2:1)

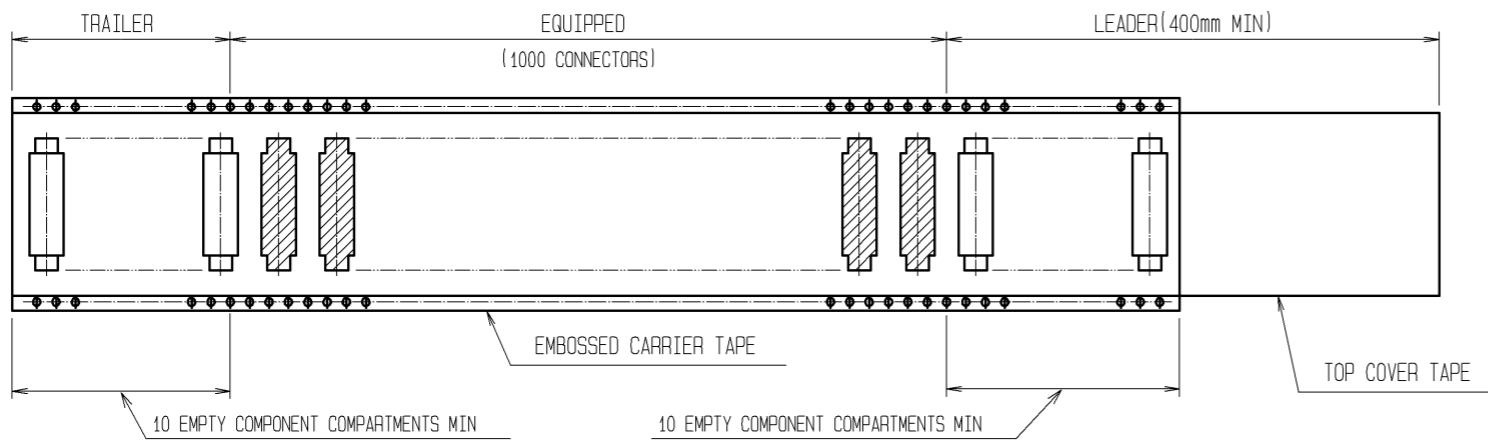
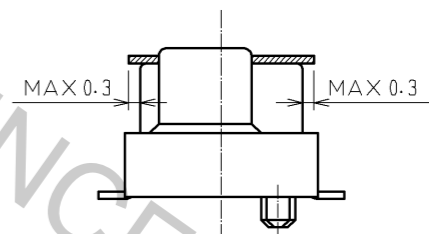
UNREELING DIRECTION



REEL DIMENSION (FREE)



DETAIL FOR TAPE VACUUM PICKUP (5:1)



- NOTE 1 1 REEL : 1000 CONNECTORS  
 2 THE DIMENSIONS IN PARENTHESES ARE FOR REFERENCE.  
 3 REMOVE THE VACUUM PICKUP TAPE AFTER MOUNTING THE CONNECTOR.

<b>HRS</b>	DRAWING NO.	EDC3-150571-23	△ 2/2
	PART NO.	FX8-100P-SV1(93)	
	CODE NO.	CL578-0045-1-93	