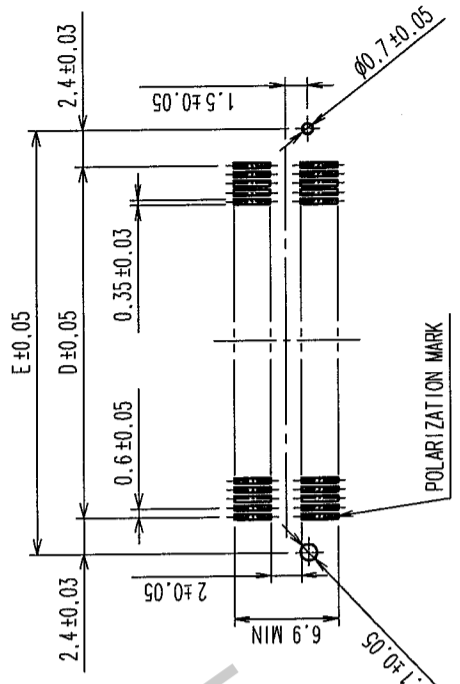


COUNT	DESCRIPTION OF REVISIONS	BY	CHKD	DATE	COUNT	DESCRIPTION OF REVISIONS	BY	CHKD	DATE
3	RE-F-09671	K.N	H.Y	04.04.08					

RECOMMENDED LAND PATTERN DIMENSION OF P.C.B. (MOUNTING SIDE)



DIMENSION TABLE OF CONNECTOR AND P.C.B. LAND PATTERN.

PART No.	CODE No.	A	B	C	D	E
FX8C-60P-SV1(92)	CL578-0521-6-92	60	24.60	23.00	20.70	17.40
FX8C-80P-SV1(92)	CL578-0523-1-92	80	30.60	29.00	26.70	23.40
FX8C-100P-SV1(92)	CL578-0525-7-92	100	36.60	35.00	32.70	29.40
FX8C-120P-SV1(92)	CL578-0526-0-92	120	42.60	41.00	38.70	35.40
FX8C-140P-SV1(92)	CL578-0527-2-92	140	48.60	47.00	44.70	41.40

- NOTE 1. LEAD CO-PLANARITY SHALL BE 0.1mm MAX.  
 2. EMBOSSED CARRIER TAPE PACKAGING SHALL BE APPLIED FOR THIS PRODUCT.  
 SEE NEXT PAGE FOR DETAILS.  
 3. FOR MODIFICATION, ETC., PREVENTIVE HOLE FOR SINK MARK MAY BE ADDED ACCORDING TO CIRCUMSTANCES.  
 4. THE DIMENSIONS IN PARENTHESES ARE FOR REFERENCE.  
 ⑤ NUMBER OF CONTACTS.

NO.	MATERIAL	FINISH, REMARKS	NO.	MATERIAL	FINISH, REMARKS
1	PPS	LIGHT BROWN (UL94V-0)	2	PHOSPHOR BRONZE	
CONTACT AREA: GOLD 0.1μm min		LEAD AREA: TIN-PLATING 1μm min		UNDER PLATING: NICKEL 1μm min	

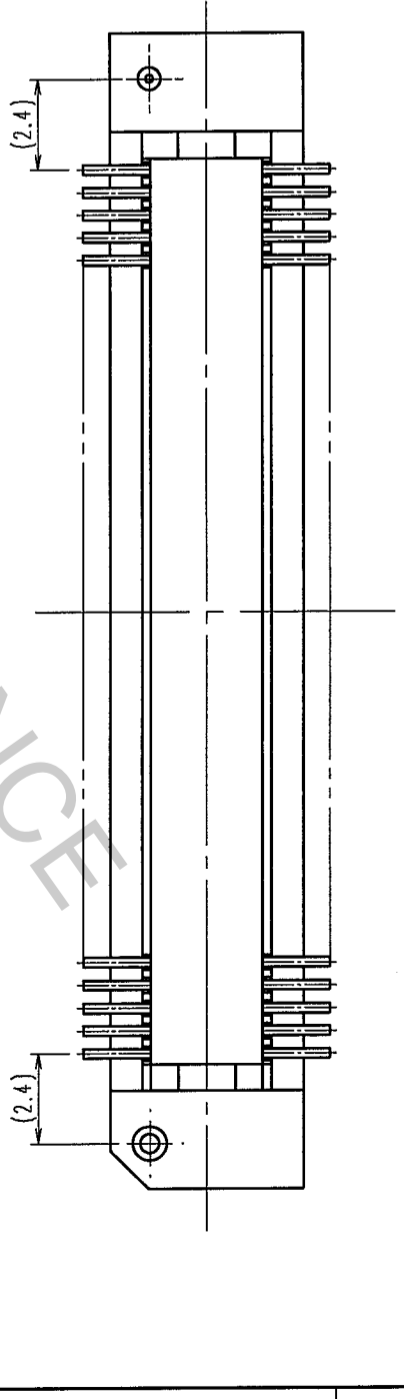
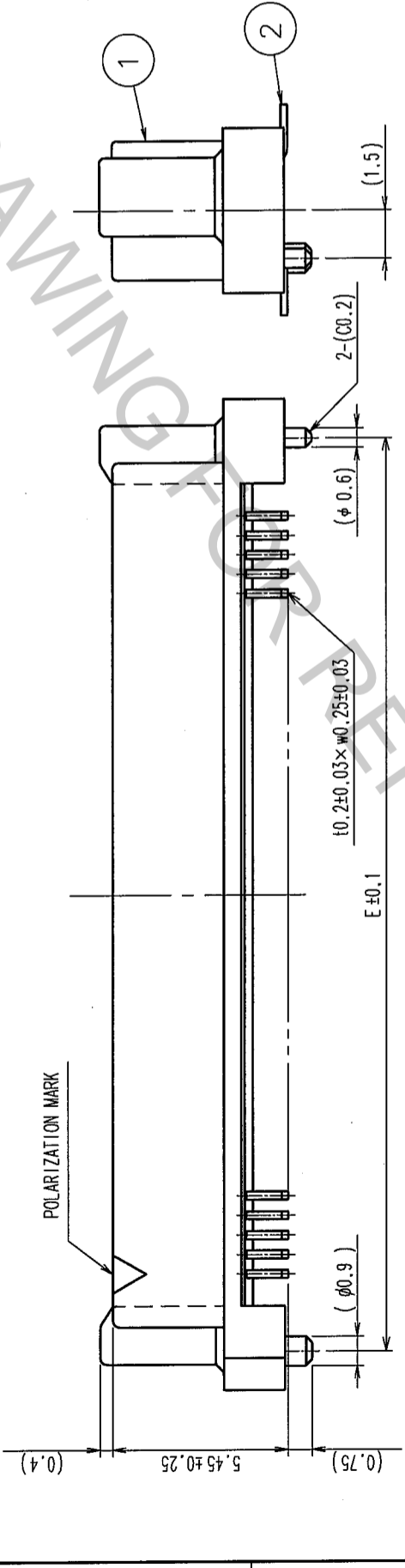
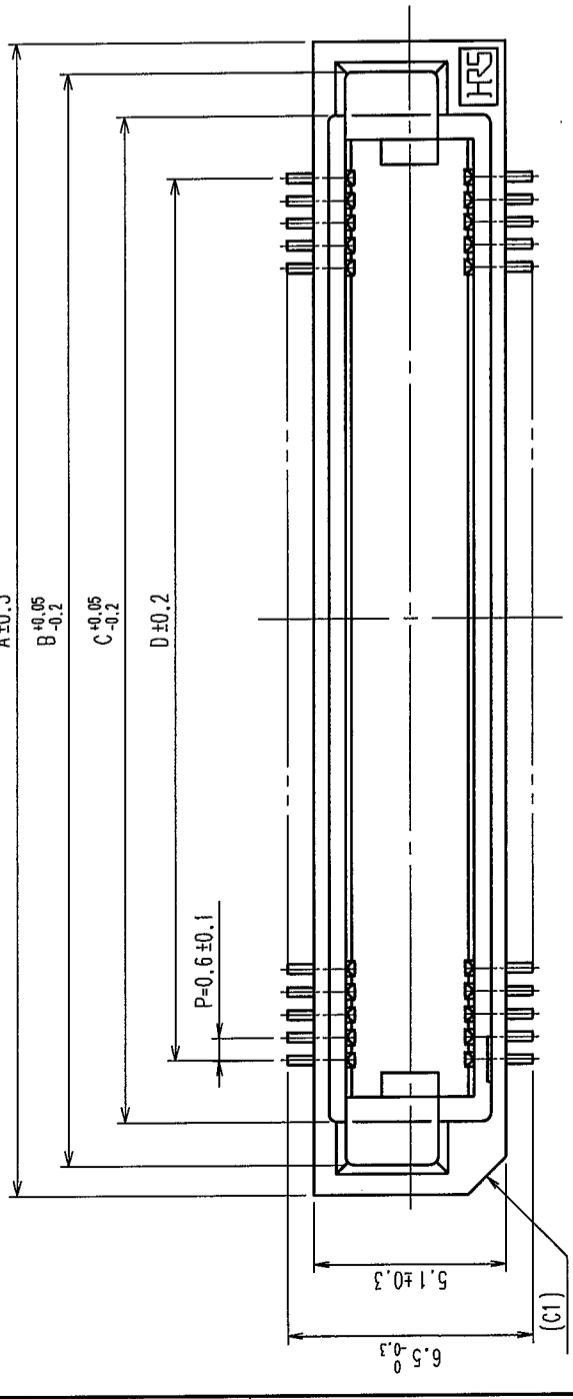
NO.	MATERIAL	FINISH, REMARKS	NO.	MATERIAL	FINISH, REMARKS
CL	CL				

SCALE	DRAWING NO.	PART NO.	DESIGNED	CHECKED	APPROVED	RELEASED
FREE	EDC3-151087-22	FX8C-**P-SV1(92)	K.NAKAMURA	H.OKAWA	Y.YOSHIMURA	
UNITS			03.02.03	03.02.12	03.02.14	03.02.15

TO	PCK	DATE



TO  
PCK

SCALE: FREE  
UNITS: mm

CODE NO.: CL578

1/2

HIROSE ELECTRIC CO., LTD

HRS

EDC3-151087-22

FX8C-\*\*P-SV1(92)

03.02.03

03.02.12

03.02.14

03.02.15

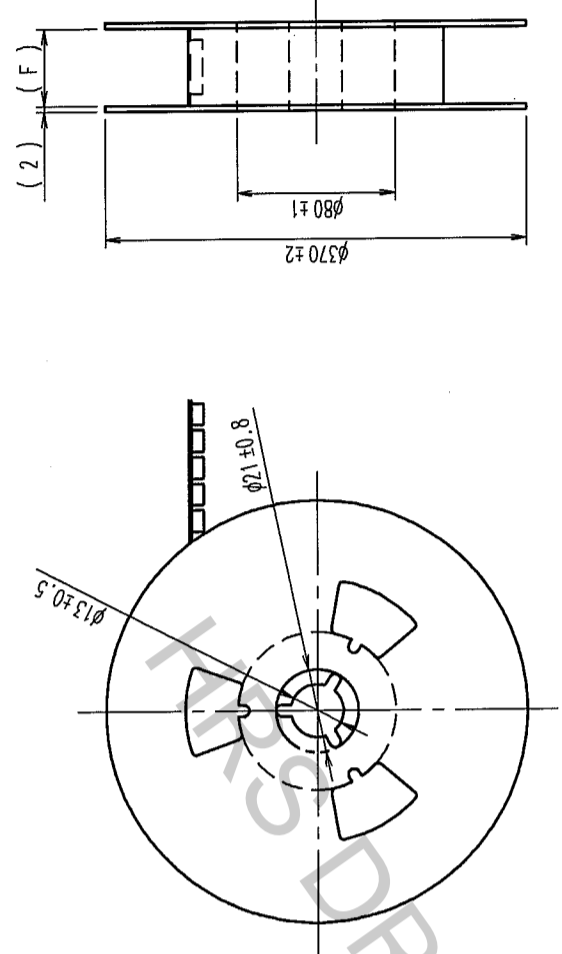
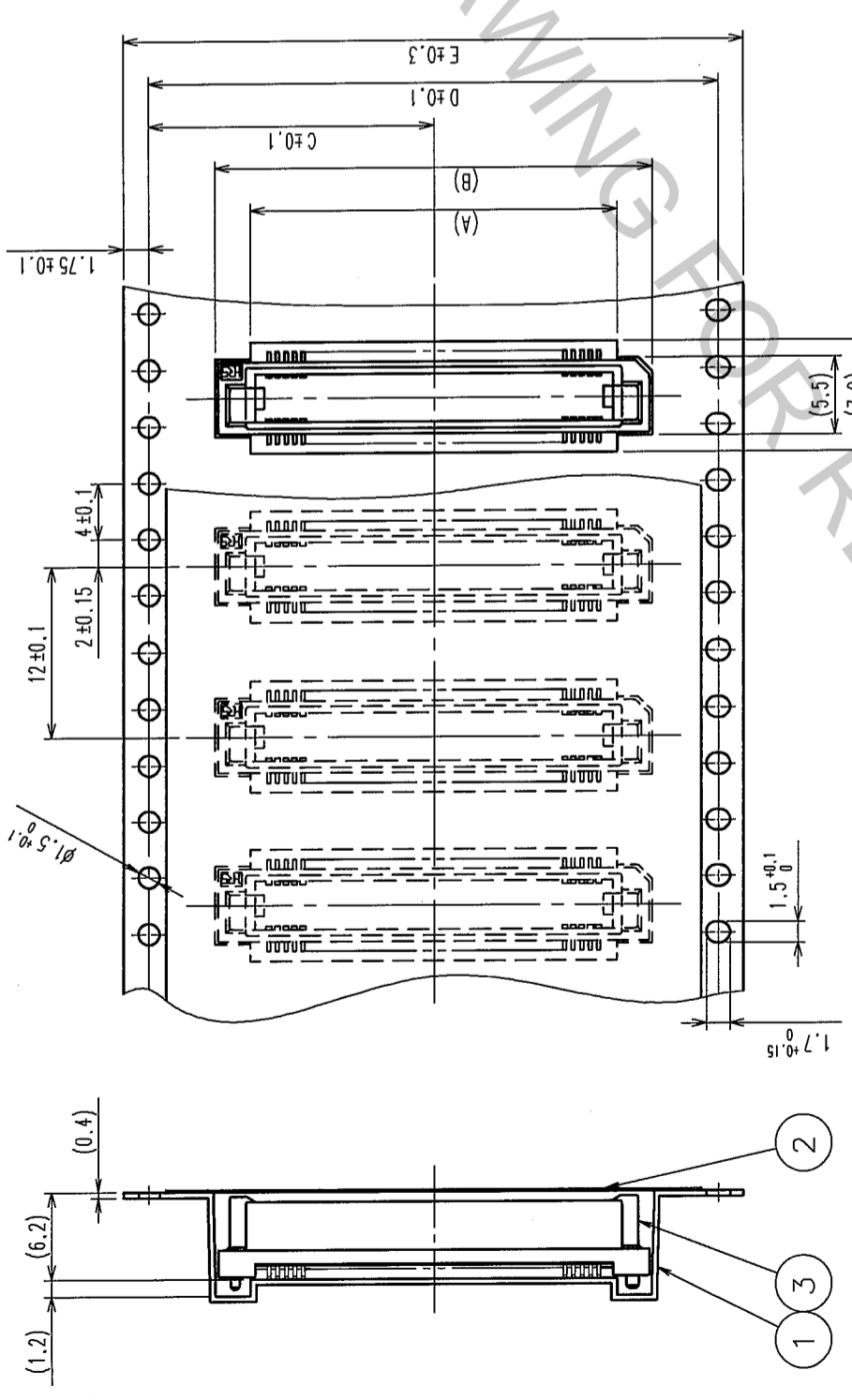
Y.YOSHIMURA

H. OKAWA

CL578

COUNT	DESCRIPTION OF REVISIONS	BY	CHKD	DATE	COUNT	DESCRIPTION OF REVISIONS	BY	CHKD	DATE
1					1				
2					2				

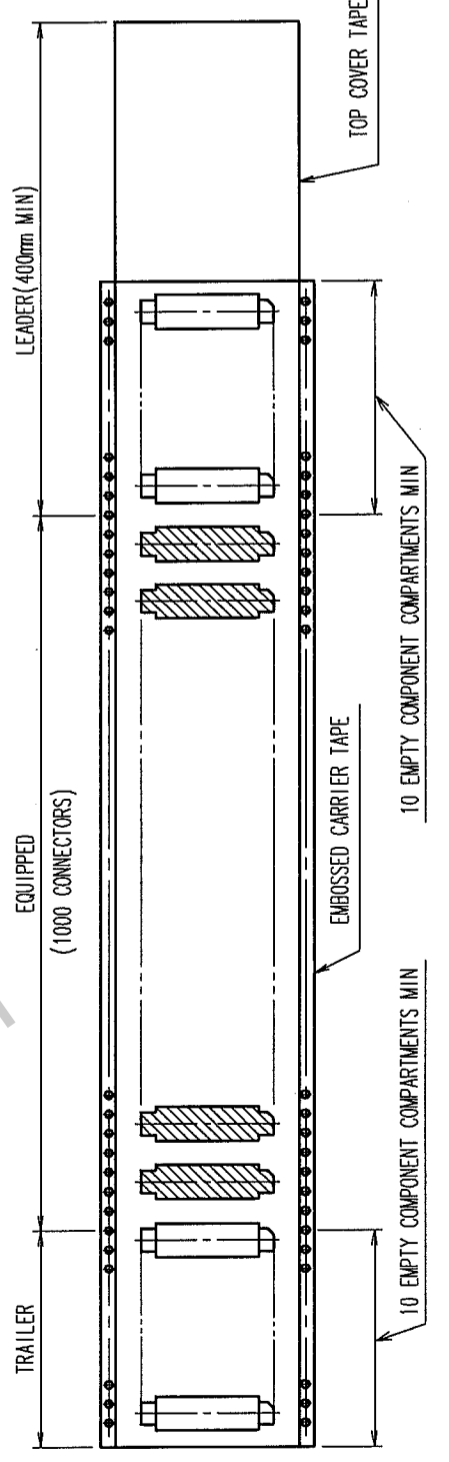
REEL DIMENSION



△ DIMENSION TABLE OF EMBOSSED CARRIER TAPE AND REEL.

PART No.	CODE No.	2	A	B	C	D	E	F
FX8C-60P-SV1(92)	CL578-0521-6-92	60	20	25	20.2	40.4	44	44.4
FX8C-80P-SV1(92)	CL578-0523-1-92	80	26	31	20.2	40.4	44	44.4
FX8C-100P-SV1(92)	CL578-0525-7-92	100	32	37	26.2	52.4	56	56.4
FX8C-120P-SV1(92)	CL578-0526-0-92	120	38	43	26.2	52.4	56	56.4
FX8C-140P-SV1(92)	CL578-0527-2-92	140	44	49	34.2	68.4	72	72.4

NOTE 1 1 REEL : 1000 CONNECTORS  
 2 NUMBER OF CONTACTS



2	POLYESTER	(TOP COVER TAPE)	(CONNECTOR)	
1	PS	(EMBOSSED CARRIER TAPE)	3	
NO.	MATERIAL	FINISH, REMARKS	NO.	MATERIAL
CL	CL			
			DRAWN	DESIGNED
			S. SUZUKI	K. NAKAMURA
			03.02.03	03.02.12
				H. OKAWA
				Y. YOSHIMURA
				03.02.14
				03.02.15
			PART NO.	FX8C-**-P-SV1(92)
			DRAWING NO.	EDC3-151087-22
			SCALE	FREE
			UNITS	MM
			CODE NO.	CL578

TO PCK