

This document is the property of Amphenol Corporation and is delivered on the express condition that it is not to be disclosed, reproduced or used, in whole or in part, for manufacture or sale by anyone other than Amphenol Corporation without its prior consent, and that no right is granted to disclose or to use any information in this document.

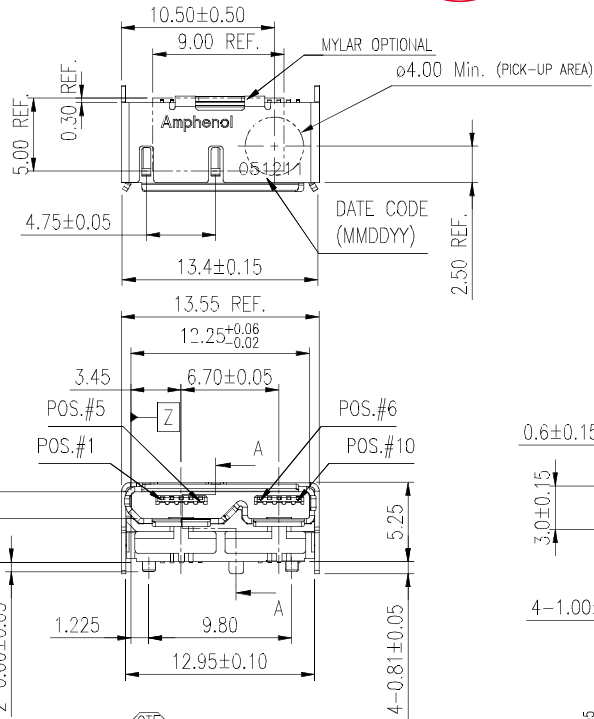
The marking on this product doesn't contain environmental hazardous material and must follow one or more specifications per Material Specification SS-00259 for Sony GP compliant or per directive 2011/65/EC for RoHS compliant or per IEC 61249-2-21 for Halogen Free compliant.



ORIGINAL



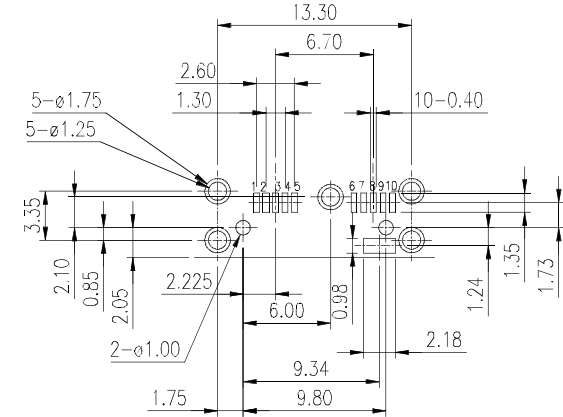
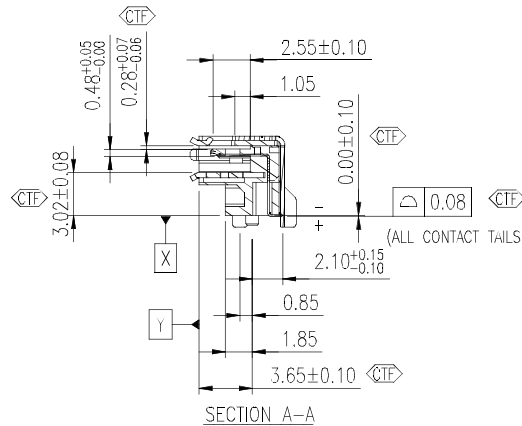
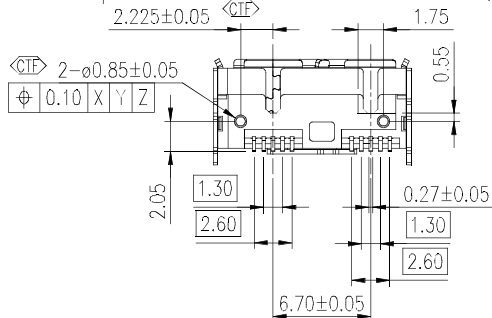
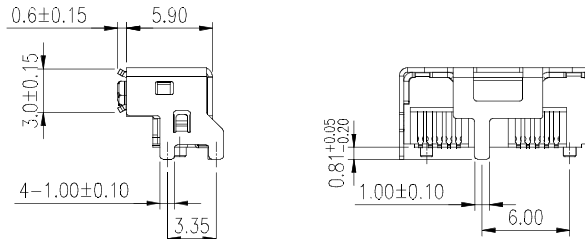
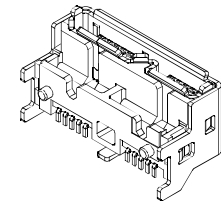
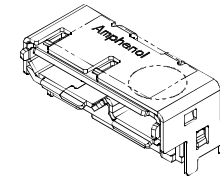
| REVISIONS | | | | |
|-----------|----------|-----------------------|------------|-------------|
| SYM | ECN No. | DESCRIPTION | DATE | BY |
| A | NE-14122 | RELEASE TO PRODUCTION | 06/20/2014 | Sondra Sang |



PART NUMBER:
GSB4 43T 3 3 X HR

CONTACT FINISH: 3: 30µ" GOLD

VARIATION CODE:
BLANK: STANDARD T&R PACKING
A: W/ MYLAR, T&R PACKING



RECOMMENDED PCB LAYOUT - TOP VIEW
(GENERAL TOLERANCE: ±0.05)

- NOTES:
- HOUSING: HIGH TEMP. THERMOPLASTIC, UL 94V-0, COLOR- BLACK
 - CONTACT: COPPER ALLOY, 0.15mm THICKNESS, 30µ" MIN. GOLD PLATED ON CONTACT AREA, 150µ" MATTE TIN PLATED ON SOLDERING TAIL, 80µ" MIN. NICKEL UNDER-PLATED OVERALL
 - INNER SHELL: STAINLESS, 0.35mm THICKNESS
 - OUTER SHELL: STAINLESS, 0.30mm THICKNESS, 50µ" MIN. NICKEL PLATED ON THE SOLDERING TAILS
 - CTF ARE THE CRITICAL DIMENSIONS MUST BE INSPECTED BY SPC.
 - PACKING: PLEASE REFER TO PKS-GSBX43PT01HR
 - THIS PRODUCT DOESN'T CONTAIN ENVIRONMENTAL HAZARDOUS MATERIALS PER DIRECTIVE 2002/95/EC FOR RoHS AND PER IEC 61249-2-21 FOR HALOGEN FREE COMPLIANT.

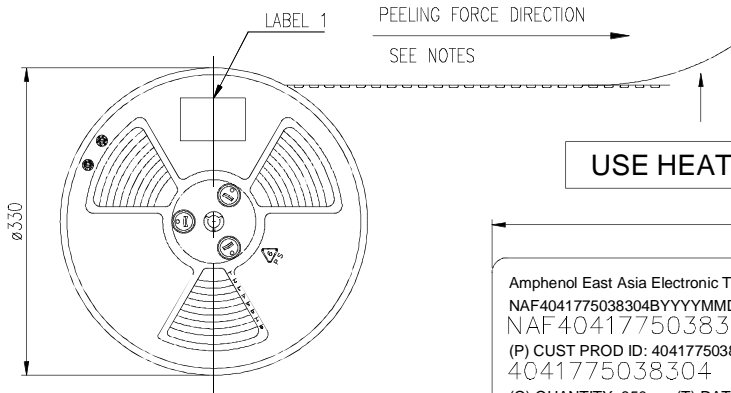
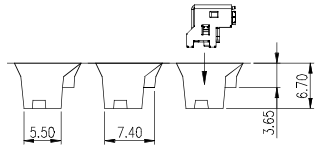
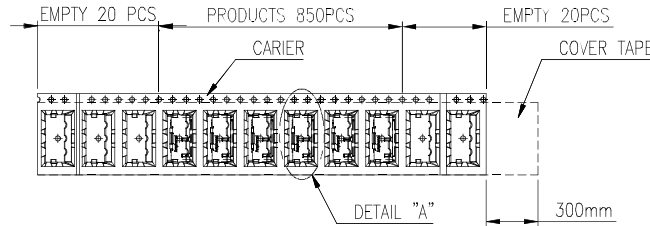
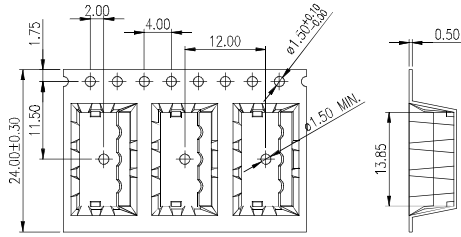
| TOLERANCE | APPROVALS | DATE | TITLE | | PART No. | |
|-------------|--------------------|-------------------|---|--|--|--------------|
| X. ±0.30 | DRAWN Sondra Sang | 2014/6/20 | USB 3.1 CONNECTOR MICRO_B, RECEPTACLE R/A SMT, HIGHT RISE | | Amphenol® Amphenol Corporation Amphenol Taiwan Corporation | |
| X.X ±0.20 | CHECKED Chenny Yeh | 2014/6/20 | | | | |
| X.XX ±0.10 | APPROVED Hank Hsu | 2014/6/20 | UNLESS OTHERWISE SPECIFIED | | UNIT mm | SIZE A3 |
| ANGULAR ±1° | DWG TYPE CUST DWG | PROJECT CODE T512 | | | SCALE NA | SHEET 1 OF 1 |
| | | | | | REV. A | |

This document is the property of Amphenol Corporation and is delivered on the express condition that it is not to be disclosed, reproduced or used, in whole or in part, for manufacture or sale by anyone other than Amphenol Corporation without its prior consent, and that no right is granted to disclose or to use any information in this document.
The marking on this product doesn't contain environmental hazardous material and must follow one or more specifications per Material Specification SS-00259 for Sony GP compliant or per directive 2011/65/EC for RoHS compliant or per IEC 61249-2-21 for Halogen Free compliant.



ORIGINAL

| REVISIONS | | | | |
|-----------|----------|-----------------------|------------|-------------|
| SYM | ECN No. | DESCRIPTION | DATE | By |
| A | NE-14122 | RELEASE TO PRODUCTION | 06/20/2014 | Sondra Sang |



USE HEAT SEAL

Amphenol East Asia Electronic Technology(Shen Zhen)Co., Ltd.
NAF4041775038304BYYYYMMDD
NAF4041775038304B20120101
(P) CUST PROD ID: 4041775038304
4041775038304
(Q) QUANTITY: 850 (T) DATE CODE: YYYYYMDD
850 *YYYYMMDD*
(1T) LOT CODE: 102711
123456
(1P) Amphenol P/N: GSB343T33HR
GSB343T33HR
RoHS & HF Compliant

LABEL 1 = Q'TY : Q850
LABEL 2 = Q'TY : Q10200

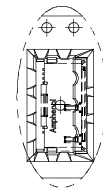
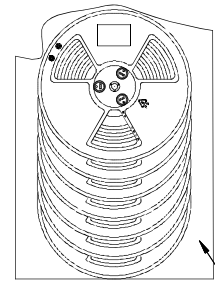
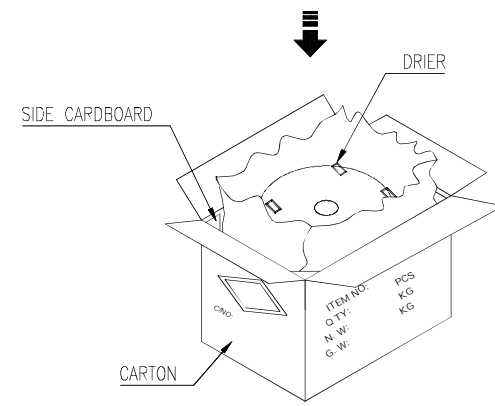
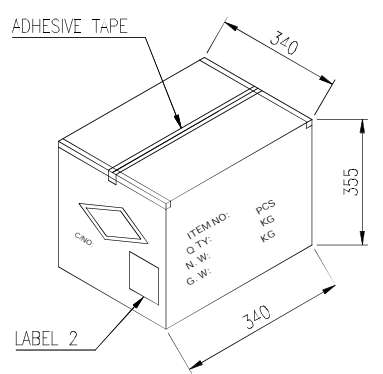
LABEL1 & LABEL2

| PART NO. | PCS./REEL-T1 | PCS/CARTON-T2 | N.W. | G.W. |
|-------------|--------------|-------------------|------|------|
| GSB343TXXHR | 850 PCS. | 850X12=10200 PCS. | * | * |
| GSB443TXXHR | | | | |

- NOTES:
 1. MATERIAL: CONDUCTIVE POLYSTYRENE ALLOY, COLOR- BLACK
 2. THICKNESS: 0.50±0.05 mm
 3. TAPE HAVE TO USE HEAT SEAL TYPE
 4. ALL DIMENSIONS MEET EIA-481-C REQUIREMENTS
 5. COMPONENT LOAD PER 13" REEL: 850 PCS.
 6. LABEL: 3 OF 9 CODE OR 128 CODE
 7. THIS PRODUCT DOESN'T CONTAIN ENVIRONMENTAL HAZARDOUS MATERIALS PER DIRECTIVE 2011/65/EC FOR RoHS COMPLIANT.

| TOLERANCE | APPROVALS | DATE |
|----------------------------|----------------------|-------------------|
| X. ±0.20 | DESIGNED Sondra Sang | 2014/6/20 |
| X.X ±0.15 | CHECKED Chenny Yeh | 2014/6/20 |
| X.XX ±0.10 | | |
| X.XXX ±0.05 | | |
| ANGULAR ±1' | APPROVED Hank Hsu | 2014/6/20 |
| UNLESS OTHERWISE SPECIFIED | DWG TYPE CUST DWG | PROJECT CODE T512 |

| TITLE | | |
|--|--------------|---------------------------------|
| USB3.0/ 3.1 CONNECTORS MICRO_B, HI-RISE RECEPT, R/A SMT TYPE | | |
| UNIT mm | SIZE A3 | PART No. PKS-GSBX43PT01HR |
| SCALE NA | SHEET 2 OF 2 | DWG No. PKS-GSB3+3PT01HR REV. A |



DETAIL "A"

(TOTAL 12 REELS)

PE BAG

CARTON

LABEL 2