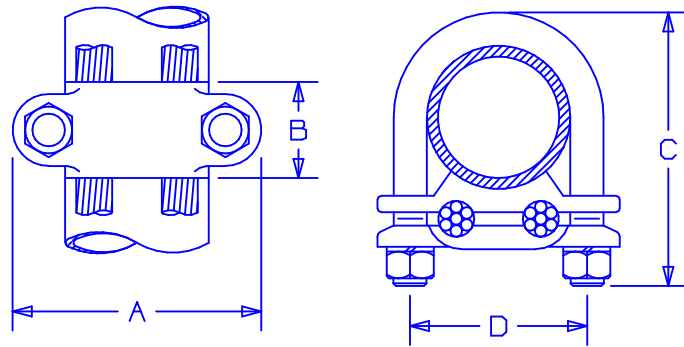


**NOTES:**

1. MADE FROM HIGH COPPER CONTENT ALLOY. FURNISHED WITH FULL THREADED SILICON BOLT, NUTS, AND LOCKWASHERS.

2. PKG. QTY. : X=10



PANDUIT PART NUMBER	NOMIAL PIPE SIZE (IPS)	CONDUCTOR RANGE	WIRE DIAMETER RANGE IN.	DIMENSIONS								BOLT DIA.
				A		B		C		D		
				IN.	MM	IN.	MM	IN.	MM	IN.	MM	
GU-2-X	1	4 SOL. -2/0 STR.	.204 - .419	2.75	70	1.13	28	3.25	82	1.75	44	3/8
GU-4-X	1 1/4	8 SOL. -4 STR.	.128 - .232	3	76	1.13	28	3.25	82	2.06	53	3/8
GU-13-3	2	300-500 kcmil	.634 - .815	4	102	1.50	38	4.63	118	2.94	75	1/2

C41358\_00

**PANDUIT** CORP.

TINLEY PARK, ILLINOIS

BRONZE GROUND CLMAP CONNECTOR  
GU SERIES CUSTOMER DRAWING

00	11/02	CJW		DRAWING RELEASED								
REV	DATE	BY	CHK	DESCRIPTION	ECN #	PM	CUST	DRAWN BY	CHK'D	SCALE	DRAWING NO.	
								CJW		NONE	C41358	