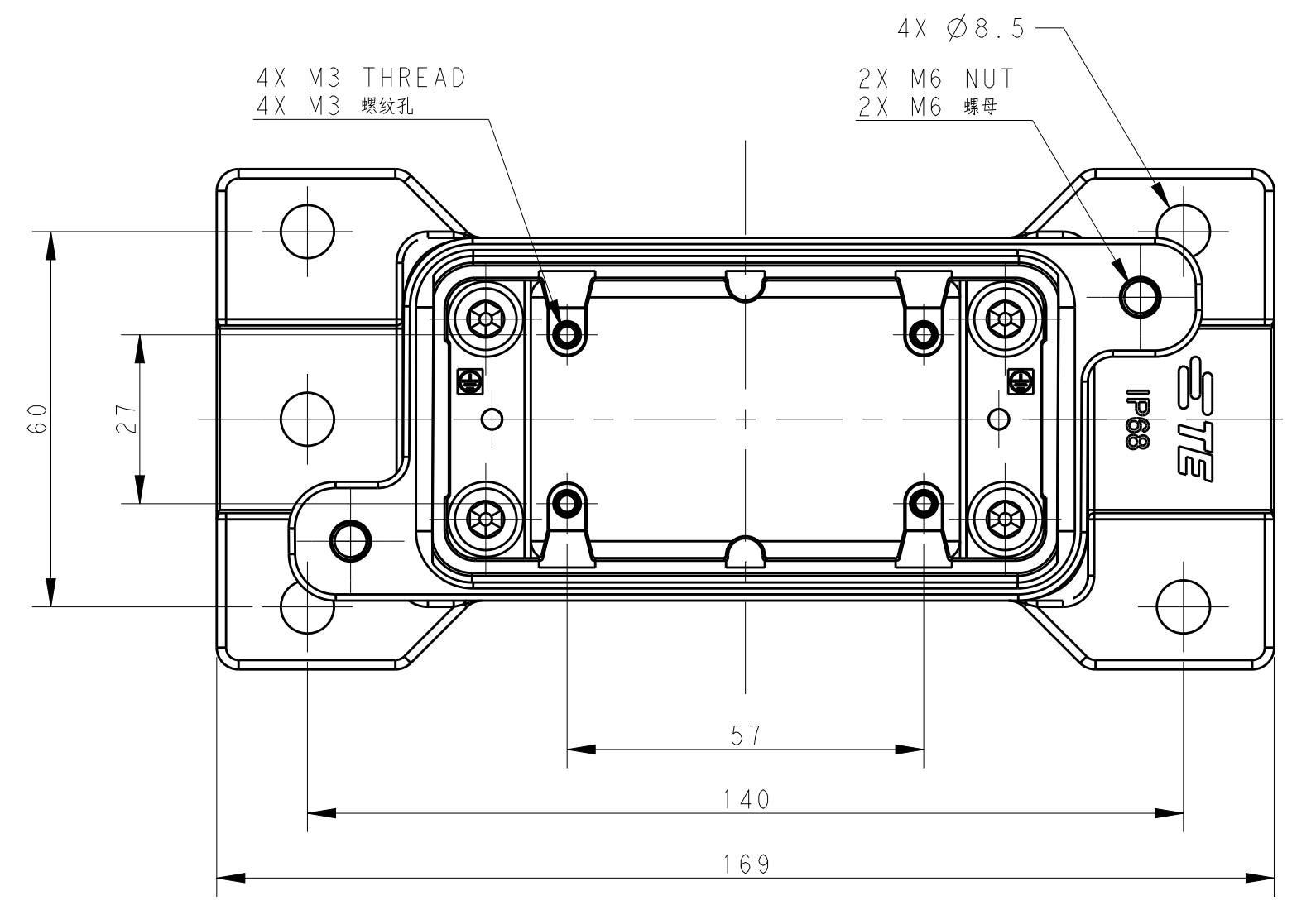
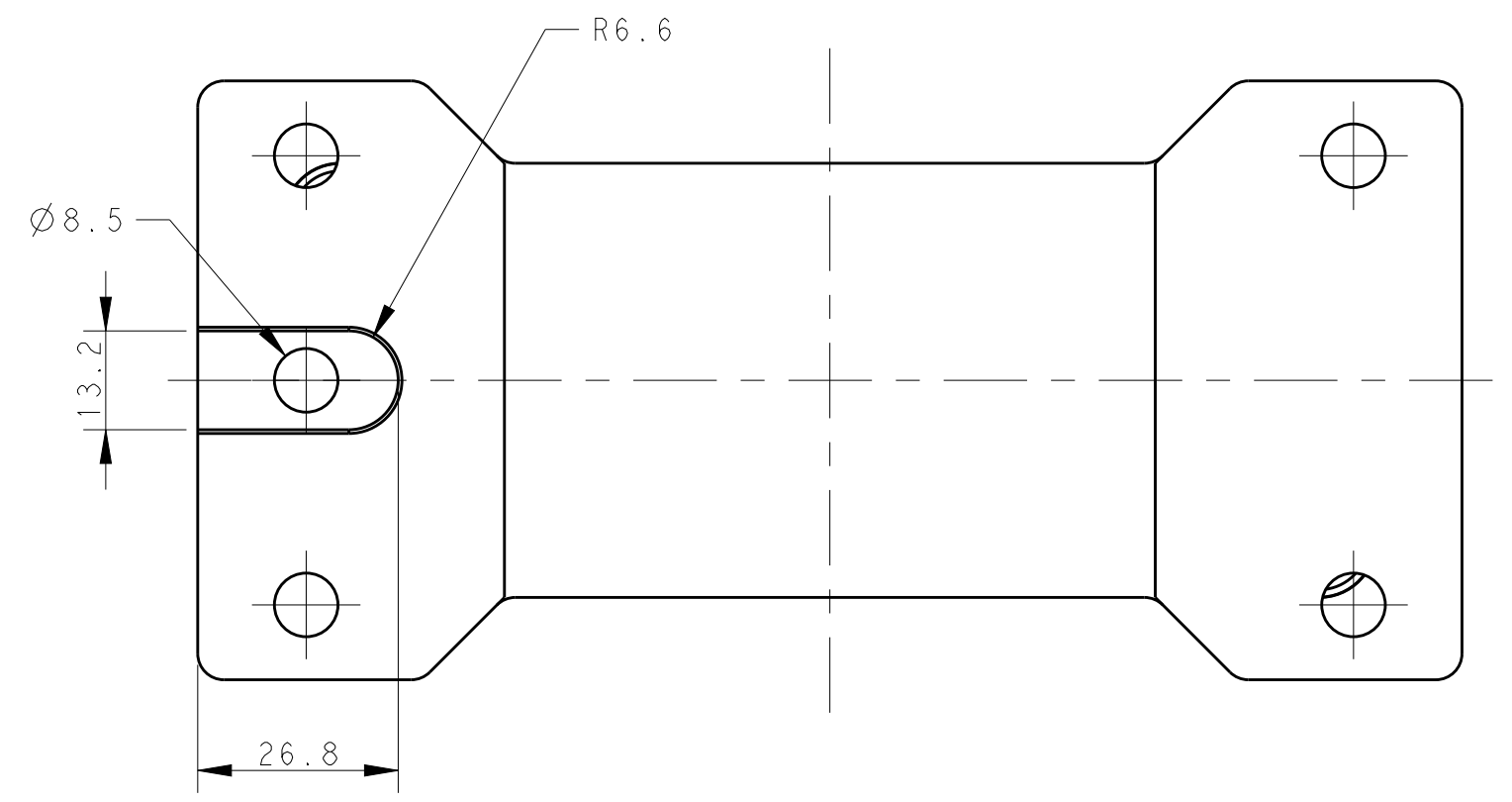
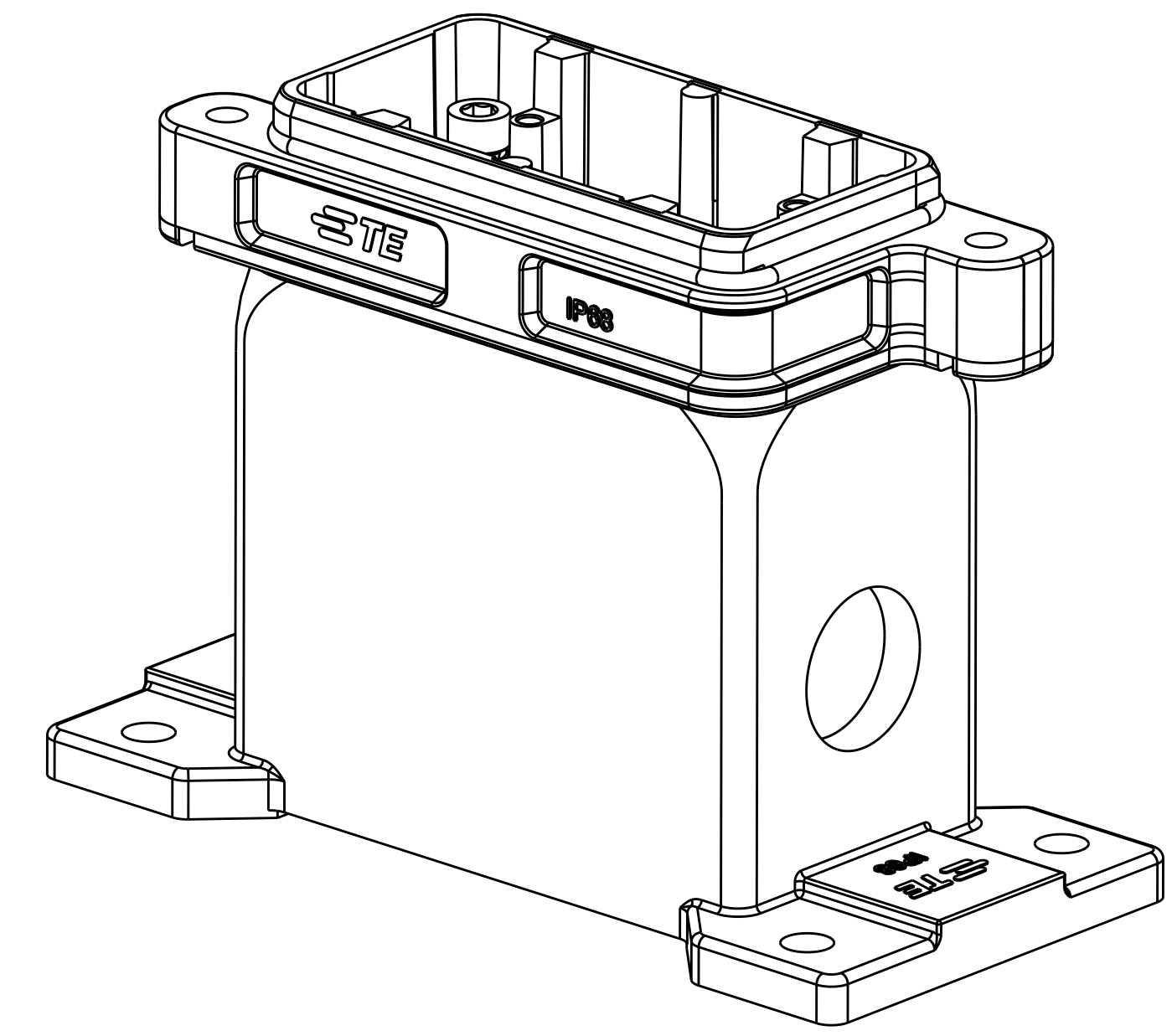
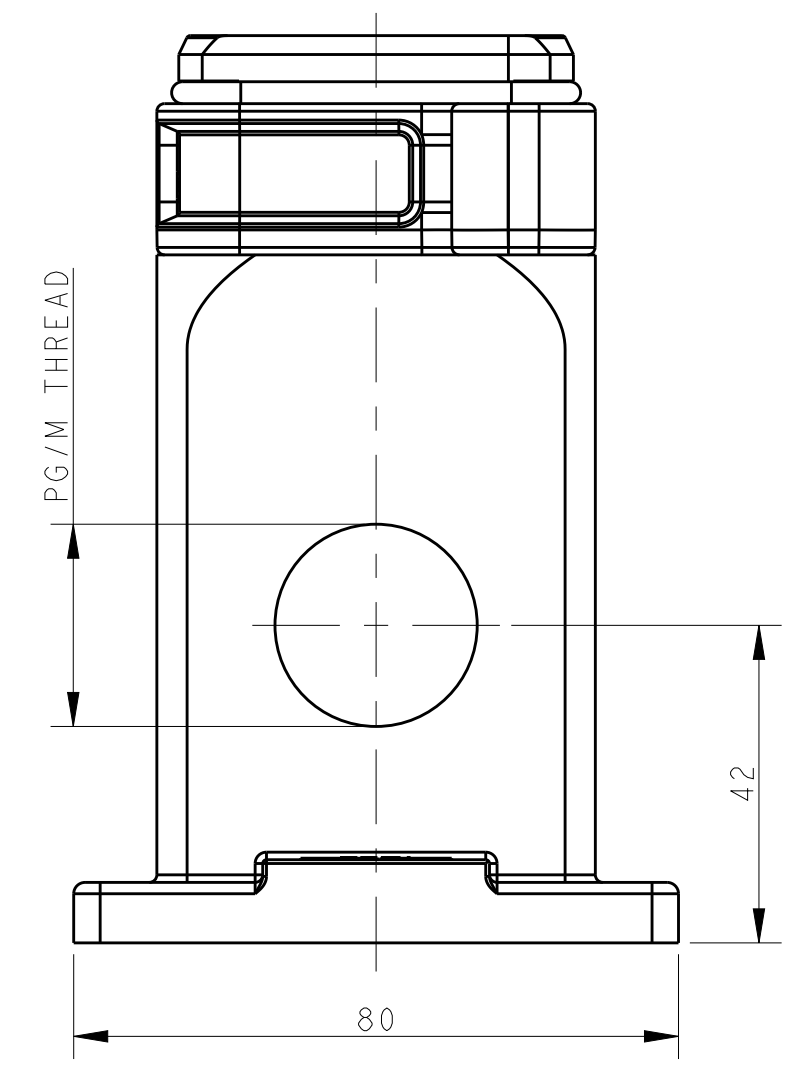
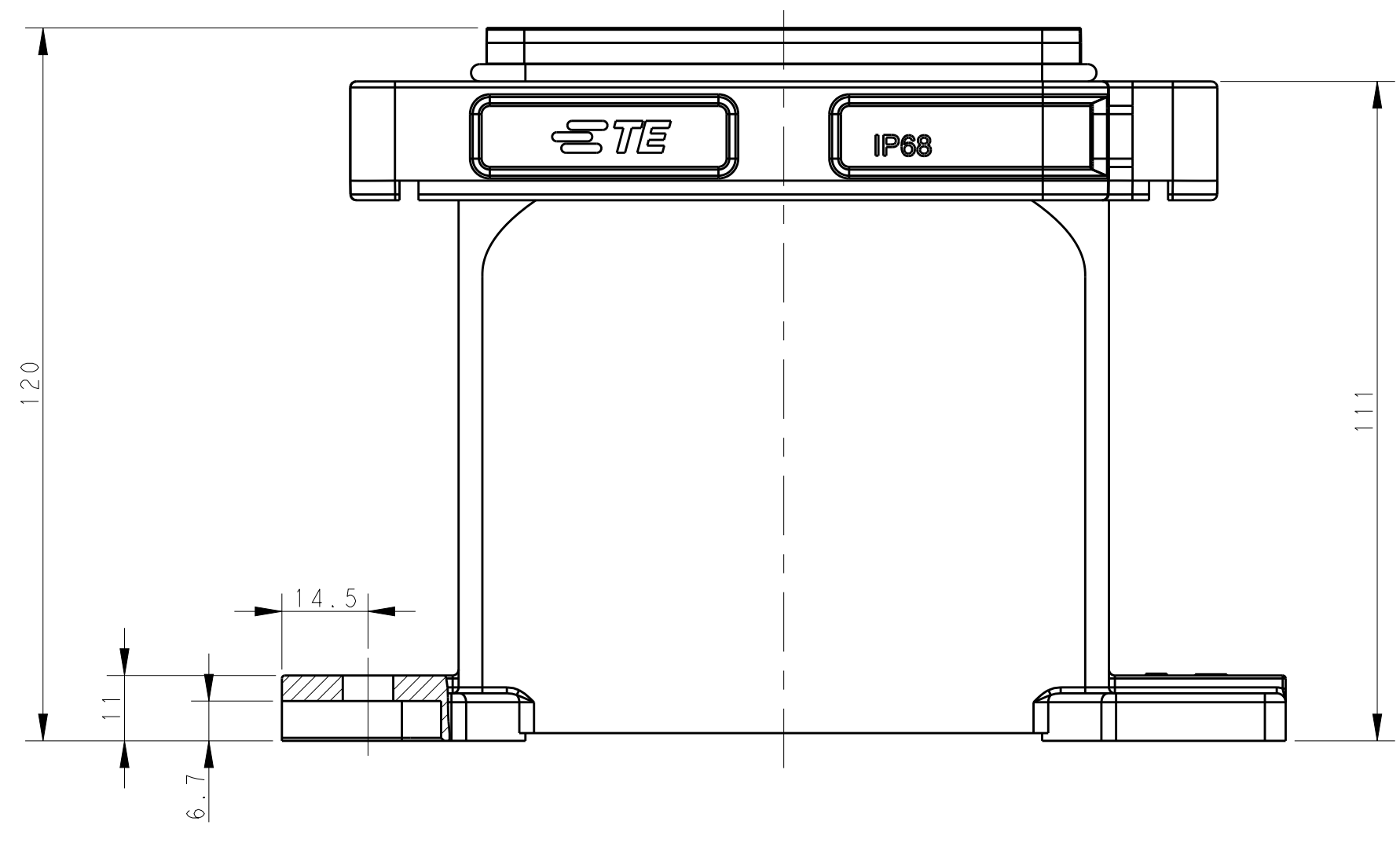


REVISIONS				
P	LTN	DESCRIPTION	DATE	OWN APVD
A		INITIAL RELEASE	19SEP2016	DW CW



NOTES:
 1. TECHNICAL CHARACTERISTICS:
 HOUSING MATERIAL: DIE CAST ALUMINIUM ALLOY
 SURFACE TREATMENT: SEE TABLE
 DEGREE OF PROTECTION: IP68 (MATED)

注释:
 1. 技术参数:
 壳体材料: 铝合金
 表面处理: 见表格
 防护等级: IP68 (配合)



T1950100132-009	H10BPR-SGRH-M32-EMC-C	H10BPR HOUSING, DIAGONAL LOCKING, SURFACE MOUNTED, SIDE ENTRY M32 POWDER COATED, BLACK / H10BPR 对角锁定表面下壳M32 黑色	M32
T1950100129-009	H10BPR-SGRH-PG29-EMC-C	H10BPR HOUSING, DIAGONAL LOCKING, SURFACE MOUNTED, SIDE ENTRY PG29 POWDER COATED, BLACK / H10BPR 对角锁定表面下壳PG29 黑色	PG29
T1950100125-009	H10BPR-SGRH-M25-EMC-C	H10BPR HOUSING, DIAGONAL LOCKING, SURFACE MOUNTED, SIDE ENTRY M25 POWDER COATED, BLACK / H10BPR 对角锁定表面下壳M25 黑色	M25
T1950100121-009	H10BPR-SGRH-PG21-EMC-C	H10BPR HOUSING, DIAGONAL LOCKING, SURFACE MOUNTED, SIDE ENTRY PG21 POWDER COATED, BLACK / H10BPR 对角锁定表面下壳PG21 黑色	PG21
PART NUMBER 料号	PART DESCRIPTION 描述		PG/M THREAD PG/M 螺紋

THIS DRAWING IS A CONTROLLED DOCUMENT.		DWN DAVID WANG 19SEP2016	TE Connectivity
DIMENSIONS: mm		CHK Chris Wong 19SEP2016	
TOLERANCES UNLESS OTHERWISE SPECIFIED:		APVD Yiqiang Yu 19SEP2016	NAME H10BPR-SGRH-PG/M-EMC-C
0 PLC ± 2 PLC ± 3 PLC ± 4 PLC ± ANGLES ±		PRODUCT SPEC 108-137191	SIZE CAGE CODE DRAWING NO RESTRICTED TO
MATERIAL FINISH		APPLICATION SPEC 114-137191	A1 - C-T195010XXXXX09
		WEIGHT	SCALE 1:1 SHEET 1 OF 1 REV A
		CUSTOMER DRAWING	