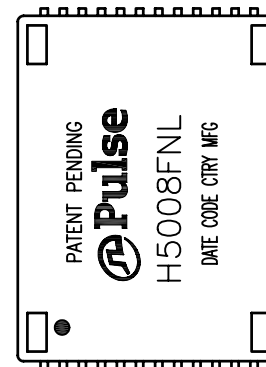


NOTES:

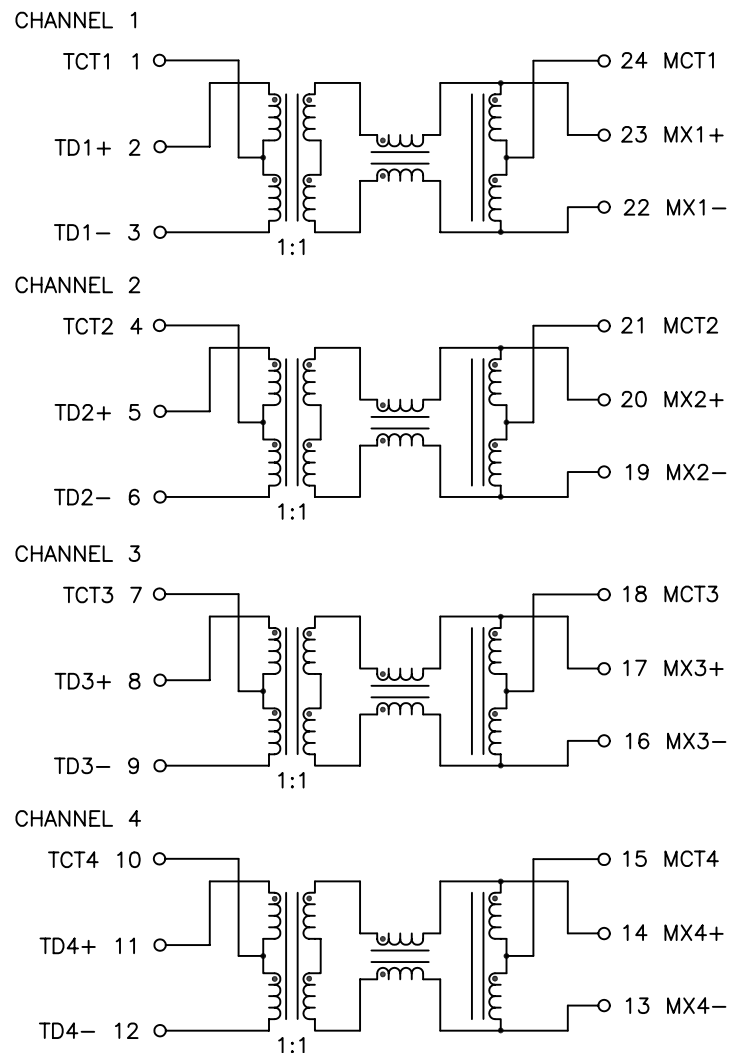
1. ROHS COMPLIANT
2. HEADER: DAP (DIALLYL PHTHALATE) WITH FLAMMABILITY RATING UL 94V-0 OR BETTER.
3. STORAGE TEMPERATURE: -20°C TO +125°C
4. COMPLIANCE TO J-STD:
 - A. J-STD-002: SOLDERABILITY AT 245°C REFLOW PROFILE
 - B. J-STD-020: LEVEL 1, NO MOISTURE SENSITIVE
 - C. J-STD-075: R7, 245°C MAXIMUM THROUGH REFLOW SOLDER
5. TO ORDER TAPE & REEL PACKAGING ADD A "T" SUFFIX TO THE PART NUMBER(i.e H5008FNL BECOMES H5008FNLT).



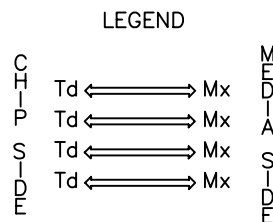
FINAL OUTLINE

© Copyright, 2014. Pulse Electronics Corp. All rights reserved. Pulse confidential & proprietary. (06/24/14)

| PRODUCT DESCRIPTION | TLA DRAWING | PS DRAWING | SHEET | PART NO. | DATASHEET REV. |
|-----------------------|-------------|---------------|--------|----------|----------------|
| MDL,SIN,1GD,1:1,SM,TU | H5008FNL-10 | PS-2748.001-D | 1 OF 3 | H5008FNL | A |



SCHMATIC



ALL CHANNELS ARE IN PHASE BETWEEN INPUT AND OUTPUT

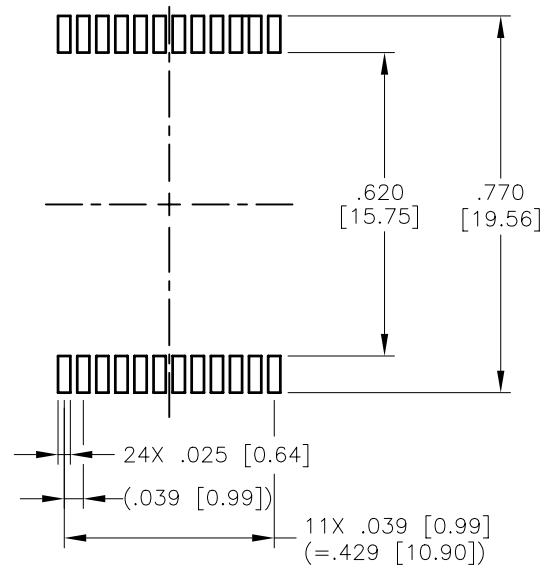
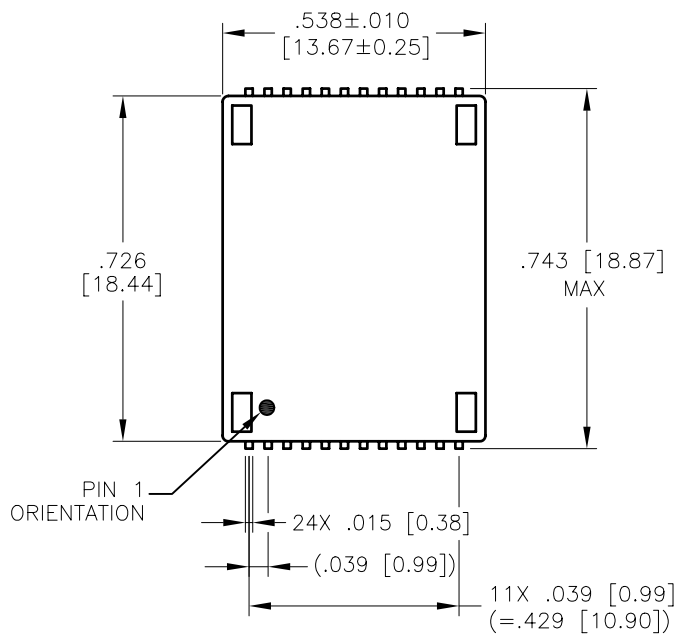
ELECTRICAL CHARACTERISTICS AT +25°C UNLESS OTHER SPECIFIED
MEETS IEEE 802.3 SPECIFICATION

| PARAMETER | SPECIFICATIONS | |
|--|---|--|
| OPERATING TEMP | 0°C - 70°C | |
| TURNS RATIO | 1.00 ± 2% | |
| POLARITY | PER SCHEMATIC | |
| INSERTION LOSS | 100 KHz | 1-125 MHz |
| | -1.2 dB MAX | -0.2-0.002*f ^{1.4} dB MAX |
| RETURN LOSS (Z OUT = 100 OHM ±15%) | .1-40 MHz | 40-100 MHz |
| | -16 dB MIN | -10+20*LOG ₁₀ (f/80 MHz) dB MIN |
| INDUCTANCE (OCL) (MEDIA SIDE, 0-70°C) | 350 uH MIN (MEASURED AT 100 KHz, 100 mVRMS WITH 8 mA DC BIAS) | |
| CROSSTALK, ADJACENT CHANNELS | 1 MHz | 10-100 MHz |
| | -50 dB MIN | -55+22*LOG ₁₀ (f/10) dB MIN |
| COMMON MODE REJECTION RATIO | 2 MHz | 30-200 MHz |
| | -50 dB MIN | -15+20*LOG ₁₀ (f/200) dB MIN |
| DC RESISTANCE, 1/2 WINDING | .65 OHMS MAX | |
| DC RESISTANCE BALANCE | ±.065 OHMS MAX (CENTER TAP SYMMETRY) | |
| INPUT - OUTPUT ISOLATION | 1500 VRMS MIN @ 60 SECONDS | |

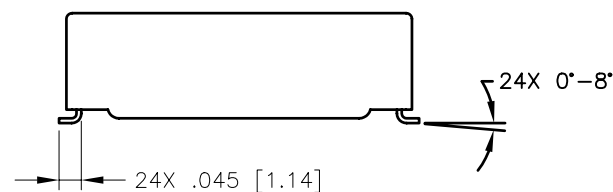
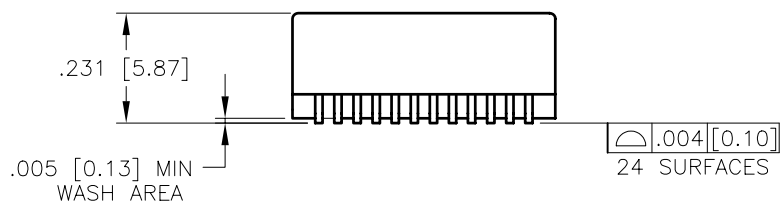
NOTE: f IS FREQUENCY IN MHZ.

© Copyright, 2014. Pulse Electronics Corp. All rights reserved. Pulse confidential & proprietary. (06/24/14)

| PRODUCT DESCRIPTION | TLA DRAWING | PS DRAWING | SHEET | PART NO. | DATASHEET REV. |
|-----------------------|-------------|---------------|--------|----------|----------------|
| MDL,SIN,1GD,1:1,SM,TU | H5008FNL-10 | PS-2748.001-D | 2 OF 3 | H5008FNL | A |



SUGGESTED LAND PATTERN



DIMENSIONS ARE IN INCHES [MILLIMETERS] WITH THE FOLLOWING TOLERANCES: [MILLIMETERS] ARE FOR REFERENCE ONLY.
 .XX= $\pm .01$ [± 0.25]
 .XXX= $\pm .005$ [± 0.13]

© Copyright, 2014. Pulse Electronics Corp. All rights reserved. Pulse confidential & proprietary. (06/24/14)

| PRODUCT DESCRIPTION | TLA DRAWING | PS DRAWING | SHEET | PART NO. | DATASHEET REV. |
|-----------------------|-------------|---------------|--------|----------|----------------|
| MDL,SIN,1GD,1:1,SM,TU | H5008FNL-10 | PS-2748.001-D | 3 OF 3 | H5008FNL | A |