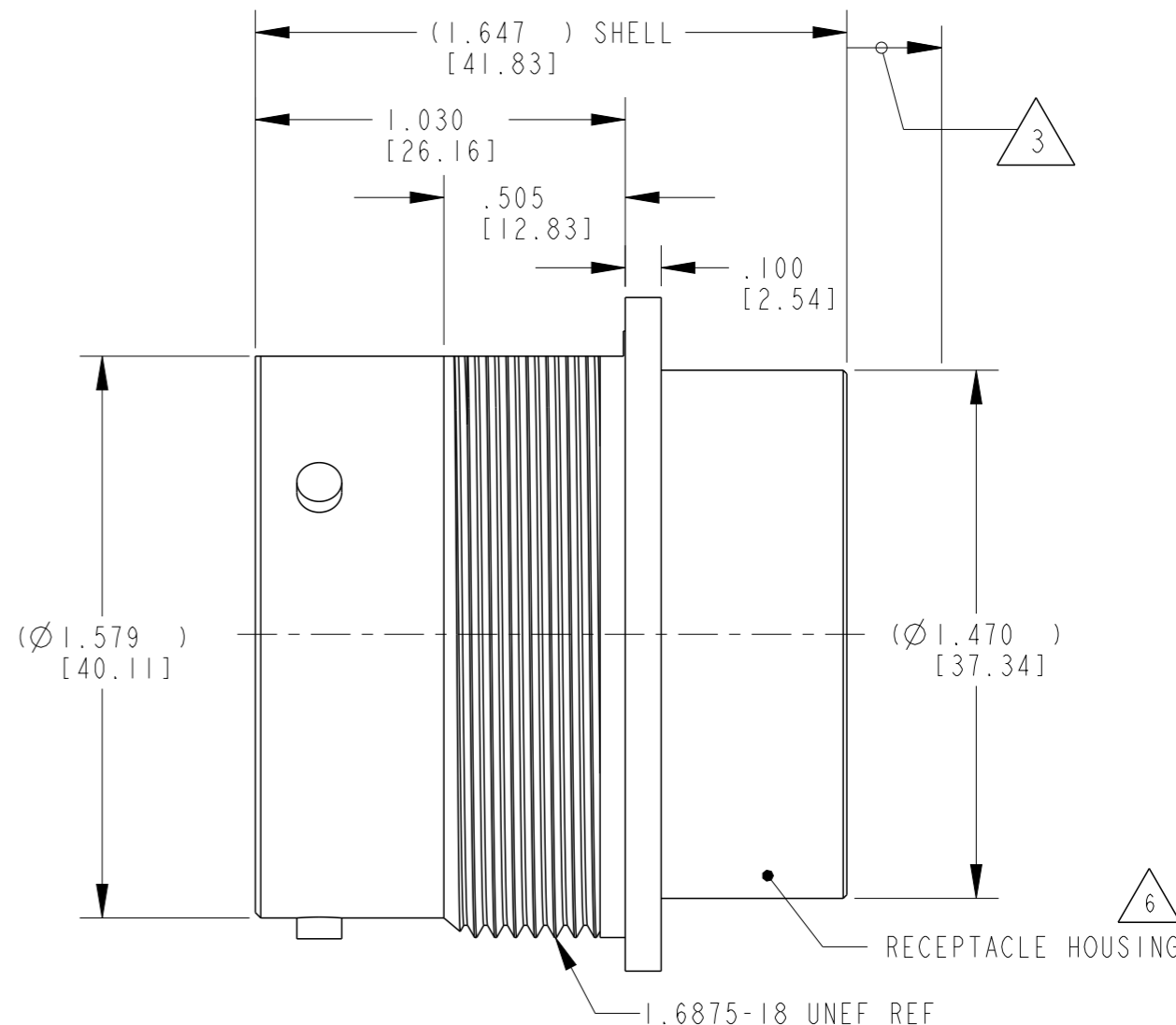
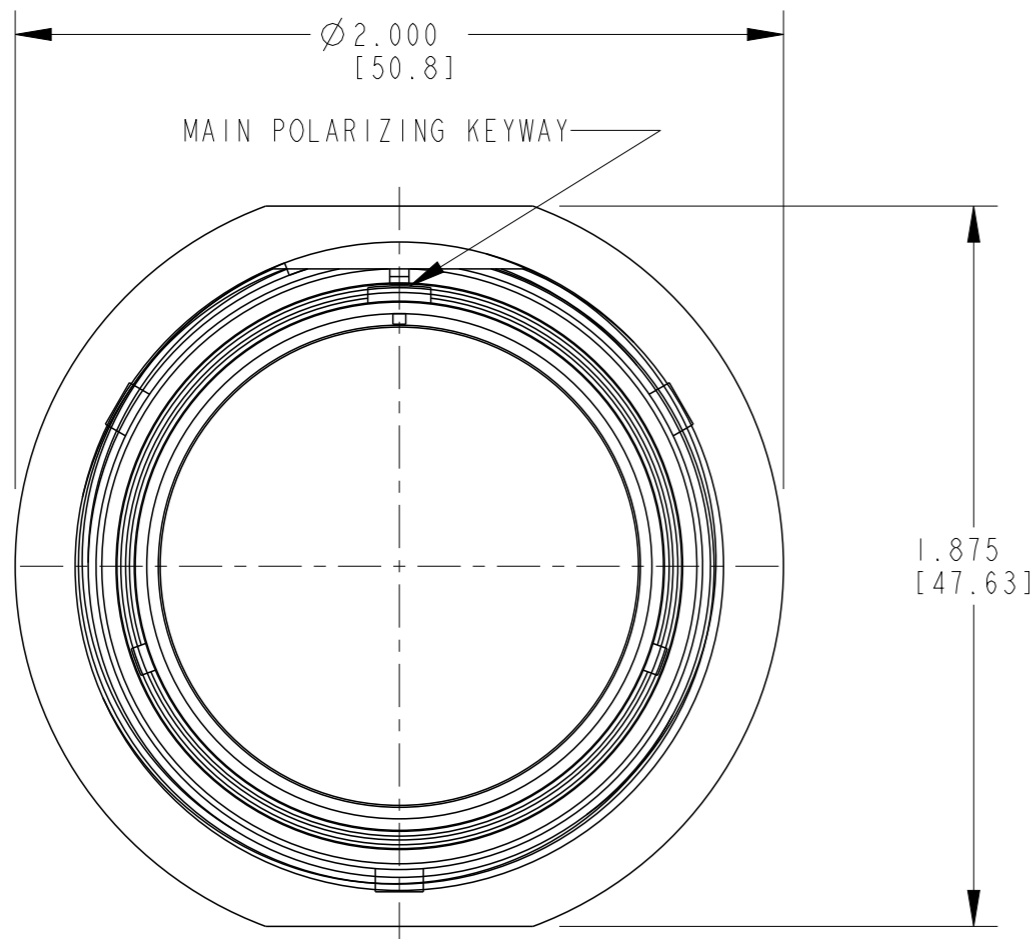


THIS DRAWING IS UNPUBLISHED. RELEASED FOR PUBLICATION 2014
 © COPYRIGHT 2014 BY - TE CONNECTIVITY ALL RIGHTS RESERVED.

LOC	DIST	REVISIONS			
P	LTR	DESCRIPTION	DATE	DWN	APVD
-	-	NC	NEW RELEASE PER E.O. PI4915	04DEC1995	- RDR
		A	REVISED PER E.O. PI5908	05FEB1999	- RDR
		B	REVISED PER E.O. PI8134	23MAY2003	- RDR
		BI	REVISED AS PER ECO-15-001798	02SEP2014	VNB DM



6. MATERIAL:
 RECEPTACLE HOUSING: AL 6000 SERIES

5. THIS PART MATES WITH HD36-24-XXXP/SX-XXXX


4. PART NUMBER INFO: XX= ARRANGEMENT: X= SEAL TYPE

3. TOTAL DIM. WITH EXTENDED WIRE SEAL (WITH CONTACTS #4 OR #8 ONLY) = 1.870±.050 [47.50±1.27].

2. FOR ARRANGEMENT OF CONTACT LOCATION SEE ENVELOPE DRAWING 0425-014-2400.

1. CONSULT THE FACTORY FOR ELECTRICAL AND MATERIAL SPECIFICATIONS.

NOTES:

THIS DRAWING IS A CONTROLLED DOCUMENT.		DWN 30OCT2014 VIJETH BHARADWAJ	 TE Connectivity			
DIMENSIONS: INCHES [mm]		CHK 31OCT2014 I. GRANTCHAROVA				
TOLERANCES UNLESS OTHERWISE SPECIFIED:		APVD 31OCT2014 D. MEYER	NAME RECEPTACLE CONNECTOR SHELL SIZE 24 BAYONET COUPLING HD30 SERIES			
0 PLC ±-		PRODUCT SPEC 0425-016-0000	SIZE A3	CAGE CODE -	DRAWING NO. © HD34-24-XXP/SX	RESTRICTED TO -
1 PLC ±-		APPLICATION SPEC 0425-015-0000	SCALE NONE		SHEET 1 OF 1	REV BI
2 PLC ±-		WEIGHT -	Customer Drawing			
3 PLC ±.010 [±.254]						
4 PLC ±-						
ANGLES ±° 30' 0"						
FINISH -						