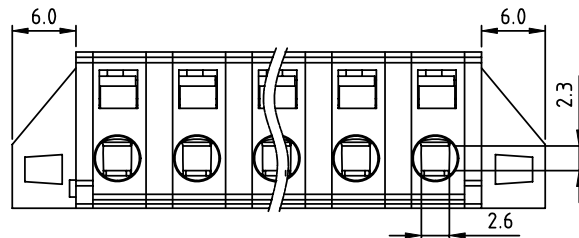
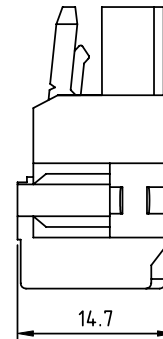
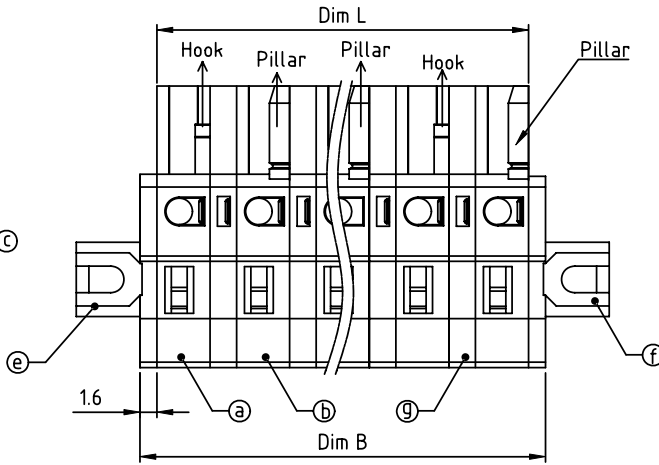
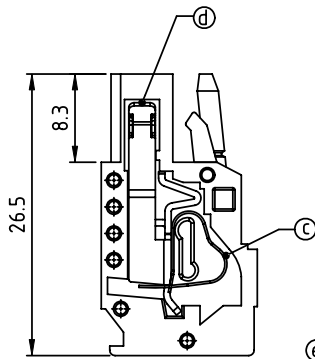
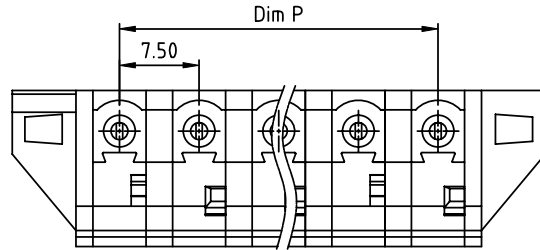


PRODUCT NUMBER	PITCH
Hlx20x200J0G	7.50 mm



Layout of Hook and Pillar:

2P	Hook+Pillar
3P	Hook+Hook+Pillar
4P	Hook+Pillar+Hook+Pillar
5P	Hook+Pillar+Pillar+Hook+Pillar
5P over	Hook+Pillar+...+Pillar+Hook+Pillar

DIMENSION

Dim L=N×7.5-2.5
Dim P=(N-1)×7.5
Dim B=N×7.5+0.7

N=Number of poles

Poles	Tolerance
2P-4P	±0.15
5P-8P	±0.25
9P-12P	±0.30
13P-16P	±0.40

PART NO.: HI xx 20 x 2 00J0 G

End stackable 0	Color	RoHS compliant
No. of poles 2	Black (RAL9005)	(lead<4% In copper Alloy)
02 2 poles	3 Red (RAL3001/D)	
03 3 poles	4 Orange(RAL2011/P)	
...	5 Yellow(RAL1018/A)	
...	6 Green(RAL6018/T)	
16 16 poles	7 Blue (RAL5015/A)	
	8 Grey(RAL7035/D)	
	9 White(RAL1102)	
	C Green(RAL6018/U)	

Material:

- Item①Terminal housing (With hook): Thermoplastic (UL94V-0)
- Item②Terminal housing (With Pillar): Thermoplastic (UL94V-0)
- Item③Spring Clamp: Stainless steel
- Item④Female contact: PhBz.Tin plated
- Item⑤Left cover with flange: Thermoplastic (UL94V-0)
- Item⑥Right cover with flange: Thermoplastic (UL94V-0)
- Item⑦Pad board: Thermoplastic (UL94V-0)

Electrical:

- Voltage rating: 300 V
- Current rating: 15 A (mated with OQ series)
8A (mated with NC and NB series)
- Wire range:
- Solid wire(AWG): 12-28
- Stranded wire(AWG): 12-28
- Wire strip length: 8-9 mm
- Withstanding Voltage: 1.6KV
- Operating temperature: -40°C to +115°C
- Safety Approval:

mat'l. code		surface ASME Y14.5	tolerance ASME Y14.5	projection	product family
ltr	ecn no	dr	date		TERMINAL BLOCK
				tolerances unless otherwise specified	title
				angles	TERMINAL BLOCK
				X±0.5	SPRING CLAMP, PLUGGABLE PLUG, WITH FLANGE
				X.X±0.3	scale
				X*±1°	MM
				dr	EVIN ZHONG 051414
				enr	EVIN ZHONG 051414
				chr	HANKE FENG 051414
				appd	SHI JUN 051414
sheet index		revision	A	FCI	
sheet		1		dwg no Hlx20x200J0G sheet 1 of 1 size A4	
				type CUSTOMER Drawing	