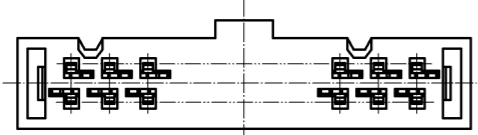
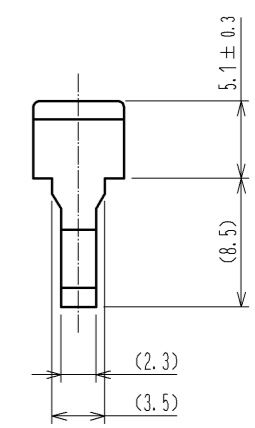
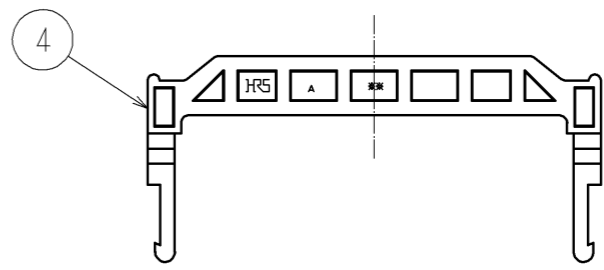
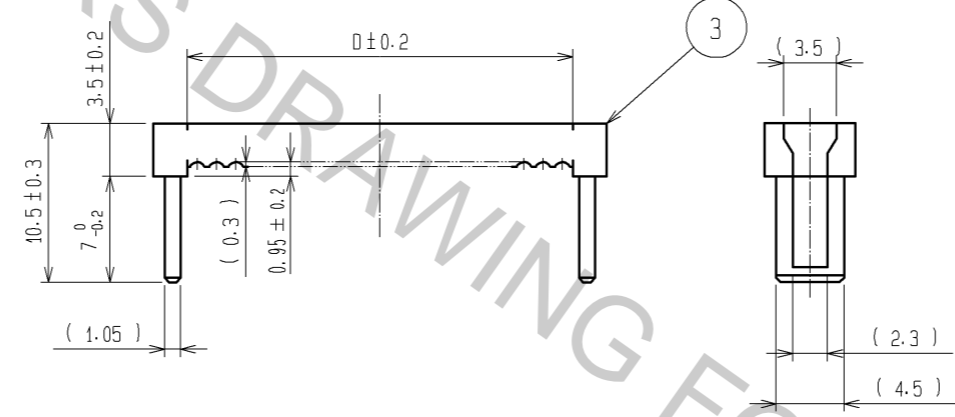
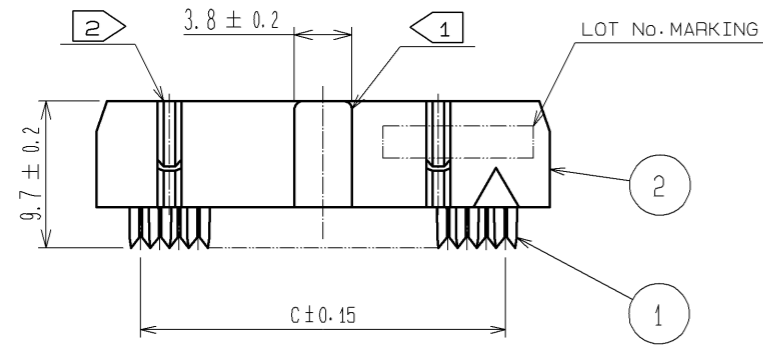
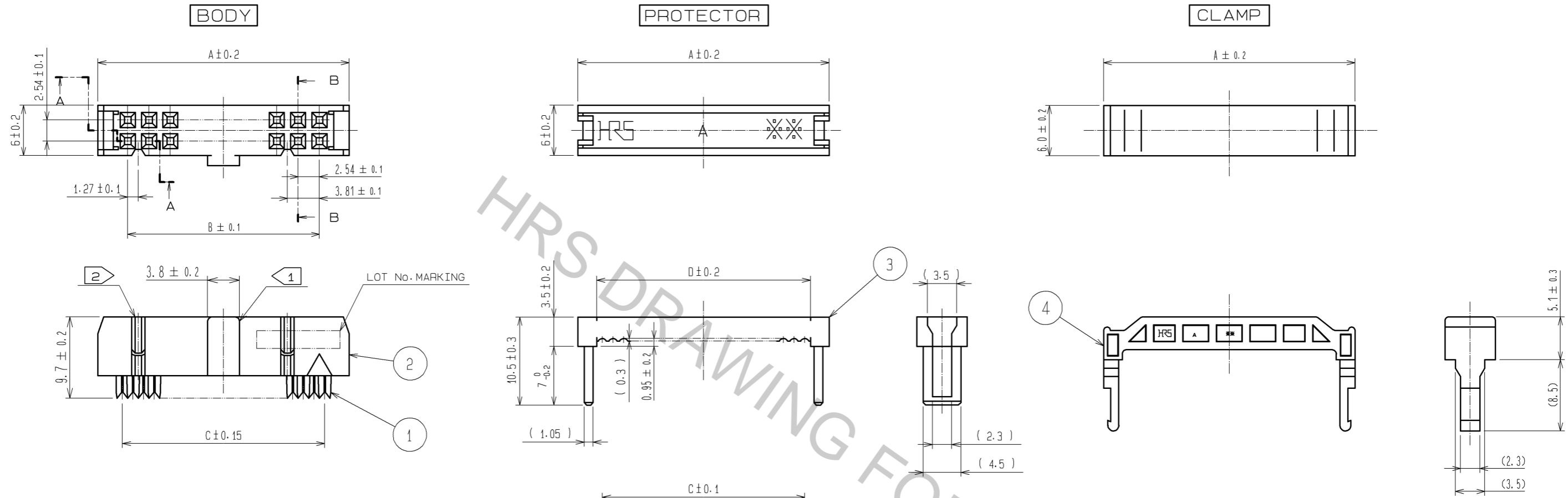
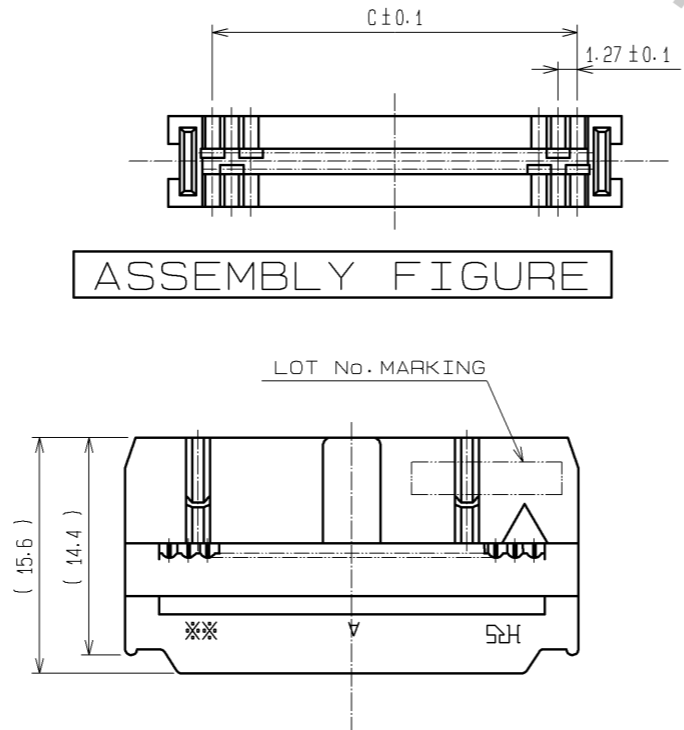
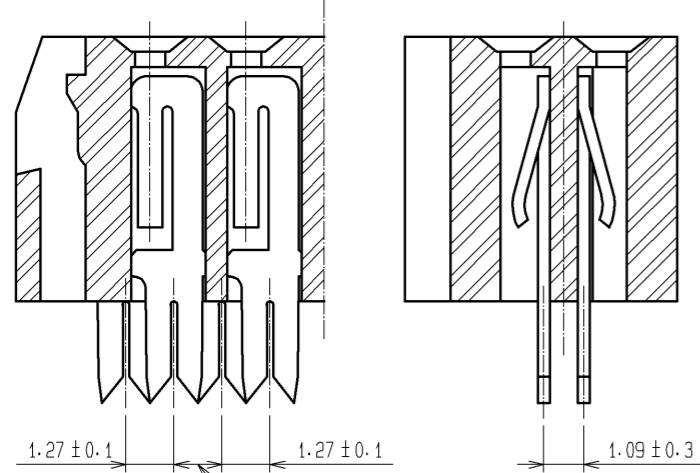


Aug.1.2018 Copyright 2018 HIROSE ELECTRIC CO., LTD. All Rights Reserved.
 In case that the application demands a high level of reliability, such as automotive,
 please contact a company representative for further information.



BB (5:1)

ASSEMBLY FIGURE



HRS No.	CODE No.	5	A	B	C	D	1 POLARIZING NOSE	2 POLARIZING SLOT
HIF3MAW-10D-2.54R	CL610-3002-9	10	17.27	10.16	11.43	12.80	ONE AT CENTER	ONE ON LEFT SIDE.
HIF3MAW-14D-2.54R	CL610-3003-1	14	22.35	15.24	16.51	17.88		ONE ON RIGHT AND LEFT SIDES. RESP.
HIF3MAW-16D-2.54R	CL610-3004-4	16	24.89	17.78	19.05	20.42		
HIF3MAW-20D-2.54R	CL610-2097-0	20	29.97	22.86	24.13	25.50		
HIF3MAW-26D-2.54R	CL610-3005-7	26	37.59	30.48	31.75	33.12	ONE ON RIGHT AND LEFT SIDES. RESP.	
HIF3MAW-30D-2.54R	CL610-2098-2	30	42.67	35.56	36.83	38.20		
HIF3MAW-34D-2.54R	CL610-2099-5	34	47.75	40.64	41.91	43.28		
HIF3MAW-40D-2.54R	CL610-2100-2	40	55.37	48.26	49.53	50.90		
HIF3MAW-50D-2.54R	CL610-2101-5	50	68.07	60.96	62.23	63.60	ONE ON RIGHT AND LEFT SIDES. RESP.	
HIF3MAW-60D-2.54R	CL610-2102-8	60	80.77	73.66	74.93	76.30		
HIF3MAW-64D-2.54R	CL610-3006-0	64	85.85	78.74	80.01	81.38		

NOTES
 1 2 THE NUMBER OF POLARIZING SLOT AND KEY INSTALLED POSITIONS CHANGES ACCORDING TO PRODUCTS. REFER TO THE LISTS AS SHOWN RIGHT.
 3 ** INDICATES THE NUMBER OF CONTACTS.
 4 THE DIMENSIONS IN PARETHESES ARE FOR REFERENCE.
 5 NUMBER OF CONTACTS.

2~4	PBT	BLACK	UL94V-0	1	COPPER ALLOY	CONTACT AREA:GOLD 0.15µm min. UNDER PLATING:NICKEL 2.5µm min.		
NO.	MATERIAL	FINISH	REMARKS	NO.	MATERIAL	FINISH . REMARKS		
UNITS	mm	SCALE	FREE	COUNT	DESCRIPTION OF REVISIONS	DESIGNED	CHECKED	DATE
HRS HIROSE ELECTRIC CO., LTD.		APPROVED	HS. OKAWA	14.12.10	DRAWING NO.	EDC3-153680-01		
		CHECKED	HS. OKAWA	14.12.10	PART NO.	HIF3MAW-*D-2.54R		
		DESIGNED	TY. EDAGAWA	14.12.10	CODE NO.			
		DRAWN	TY. EDAGAWA	14.12.10				